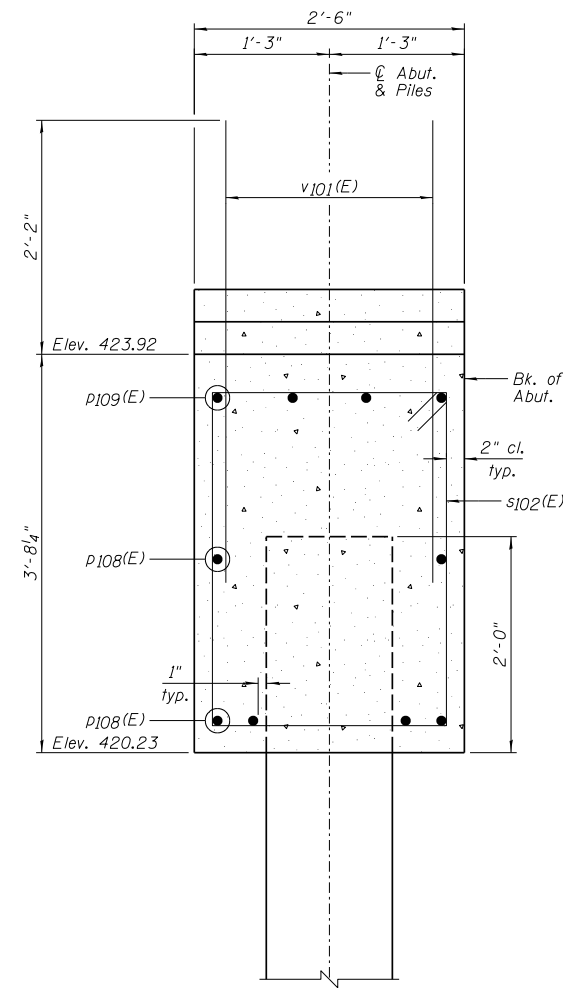
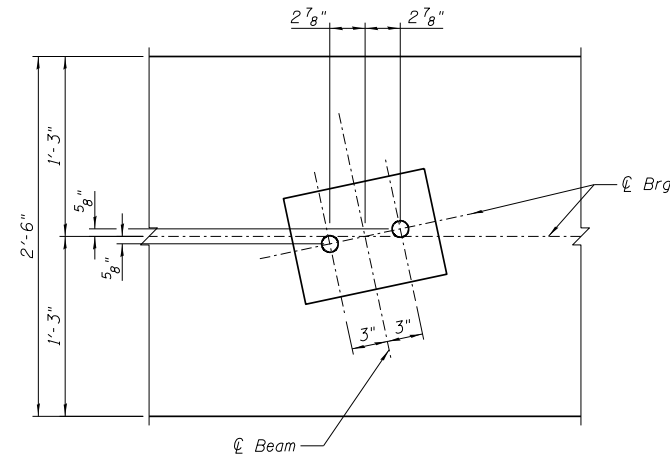


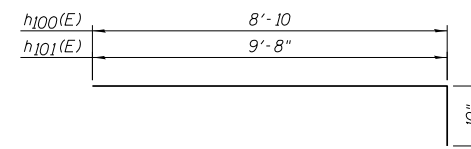
**SECTION A-A**



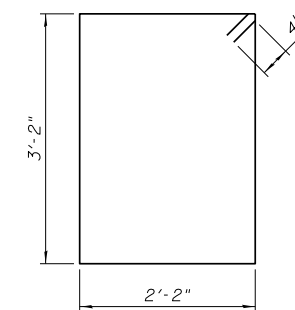
**SECTION B-B**



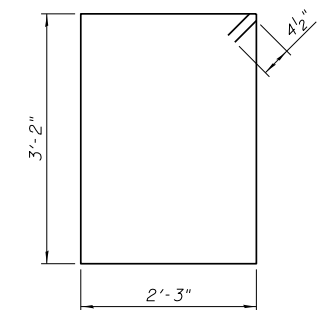
**TYPICAL ANCHOR BOLT PLACEMENT DETAIL**



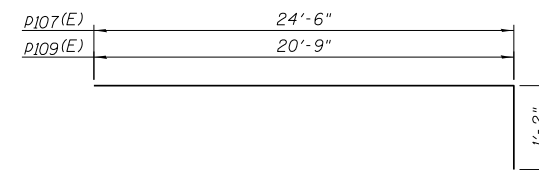
**h<sub>100</sub> (E) & h<sub>101</sub> (E) BAR**



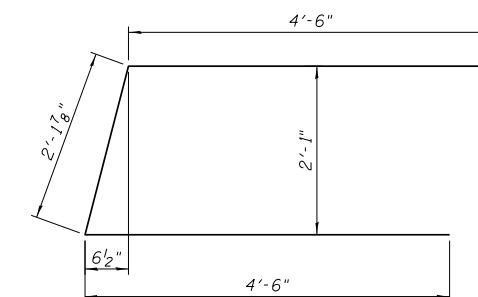
**s<sub>102</sub> (E) BAR**



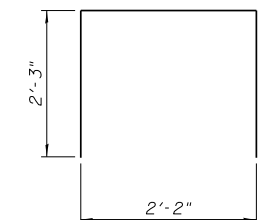
**s<sub>103</sub> (E) BAR**



**p<sub>107</sub> (E) & p<sub>109</sub> (E) BAR**



**u<sub>100</sub> (E) BAR**



**u<sub>101</sub> (E) BAR**

BAR CUTTING DIAGRAM							
	L		D				
	A						
	E SETS OF F BARS		CUT LINE				
	B		C				
BAR	A	B	C	D	E	F	L
v104(E)	6'-3"	7'-11"	6'-3"	7'-11"	1	6	14'-2"
v105(E)	5'-6"	7'-2"	5'-6"	7'-2"	1	6	12'-8"

**NOTE:**

See Sheet A32 for locations of Section A-A and Section B-B.