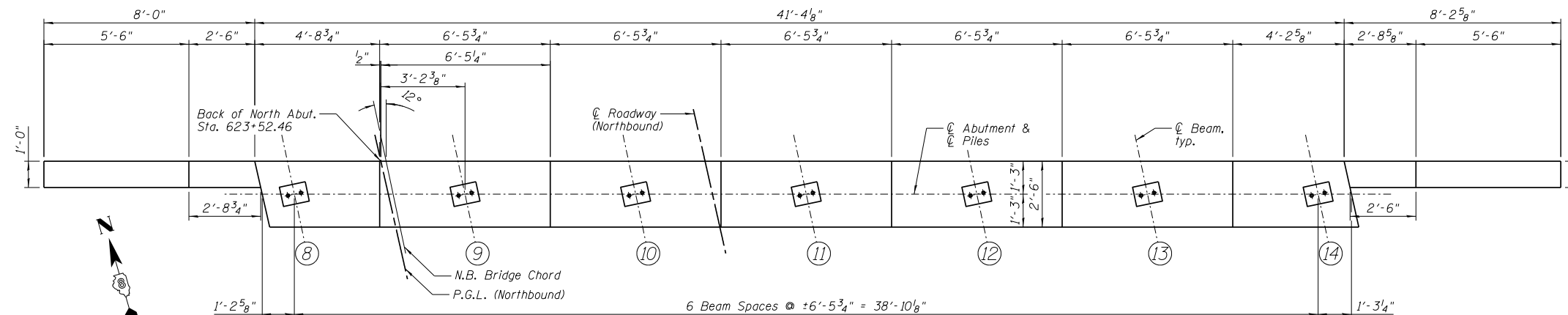
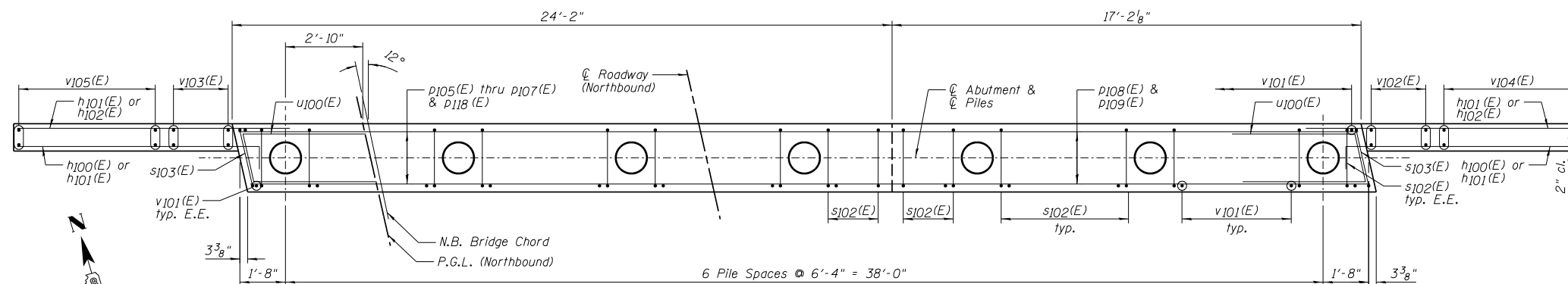


**NORTH ABUTMENT
BILL OF MATERIAL**

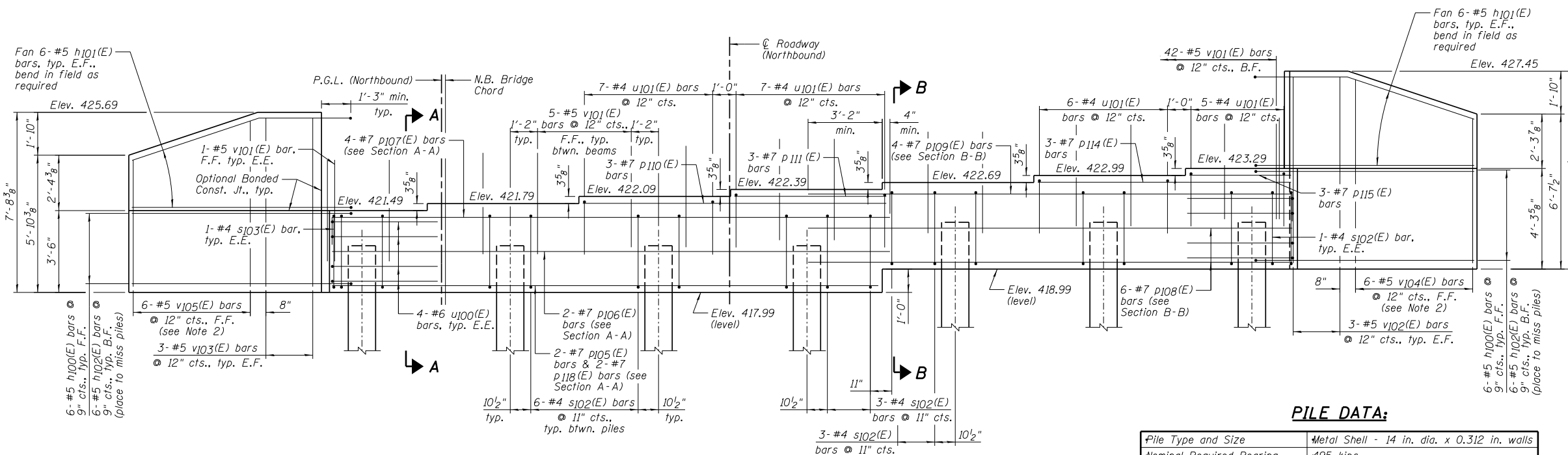
Bar	No.	Size	Length	Shape
h100(E)	1	#5	9'-8"	—
h101(E)	24	#5	10'-6"	—
h102(E)	1	#5	10'-4"	—
p105(E)	2	#7	23'-3"	—
p106(E)	2	#7	24'-6"	—
p107(E)	4	#7	25'-8"	—
p108(E)	6	#7	20'-9"	—
p109(E)	4	#7	21'-11"	—
p110(E)	3	#7	12'-8"	—
p111(E)	3	#7	6'-2"	—
p114(E)	3	#7	10'-1"	—
p115(E)	3	#7	3'-7"	—
p118(E)	2	#7	23'-6"	—
s102(E)	38	#4	11'-5"	—
s103(E)	2	#4	11'-7"	—
u100(E)	8	#6	11'-2"	—
u101(E)	25	#4	6'-8"	—
v101(E)	74	#5	4'-4"	—
v102(E)	6	#5	8'-1"	—
v103(E)	6	#5	7'-4"	—
v104(E)	6	#5	14'-2"	—
v105(E)	6	#5	12'-8"	—
Item	Unit	Quantity		
Structure Excavation	Cu. Yd.	192		
Concrete Structures	Cu. Yd.	19.7		
Reinforcement Bars, Epoxy Coated	Pound	2,780		
Furnishing Metal Shell Piles 14" x 0.312"	Foot	564		
Driving Piles	Foot	564		
Test Pile Metal Shells	Each	1		
Geocomposite Wall Drain	Sq. Yd.	43		
Pipe Underdrains for Structures 4"	Foot	78		
Porous Granular Embankment, Special	Cu. Yd.	82		



TOP VIEW ABUTMENT (SHOWING BEARING SEAT)



PLAN - PILE CAP



**ELEVATION
(Looking North)**

PILE DATA:

Pile Type and Size	Metal Shell - 14 in. dia. x 0.312 in. walls
Nominal Required Bearing	495 kips
Factored Resistance Available	272 kips
Estimated Pile Length	94 Feet
Number of Production Piles	6
Number of Test Piles	1

NOTES:

- 1.) Pour steps monolithically with cap.
- 2.) Order v104(E) and v105(E) bars full length. Cut according to Bar Cutting Diagram on Sheet A35. Use remainder of bars in opposite face of wingwall.
- 3.) Bend or cut h100(E) bars to miss piles.
- 4.) E.E. denotes Each End, F.F. denotes Front Face, B.F. denotes Back Face and E.F. denotes Each Face.
- 5.) See Sheet A35 for Section A-A, Section B-B and other details.



DESIGNED - TCR/JCZ	REVISED
CHECKED - JML	REVISED
DRAWN - DJM/JWK	REVISED
CHECKED - MSW	REVISED

**STATE OF ILLINOIS
DEPARTMENT OF TRANSPORTATION**

**NORTH ABUTMENT, NORTHBOUND
STRUCTURE NO. 082-0385 NB & 082-0386 SB**

F.A.P. RTE.	SECTION	COUNTY	TOTAL SHEETS	SHEET NO.
788	520-1-2B	ST. CLAIR	94	65
				CONTRACT NO. 76F69
ILLINOIS FED. AID PROJECT				

SHEET NO. A34 OF 48 SHEETS