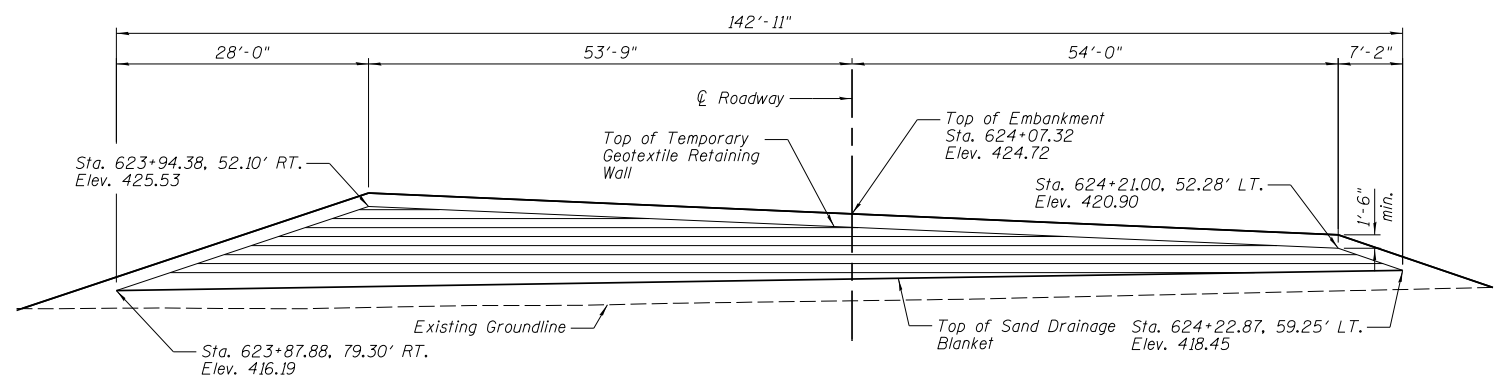
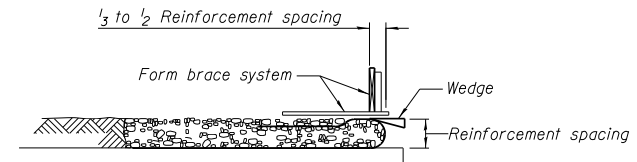


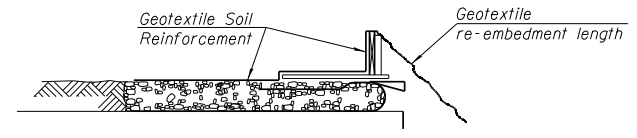
**ELEVATION - SOUTH WALL**  
(Looking North)  
(Horizontal dimensions measured along wall)  
South Wall Area = 1,250 Sq. Ft.



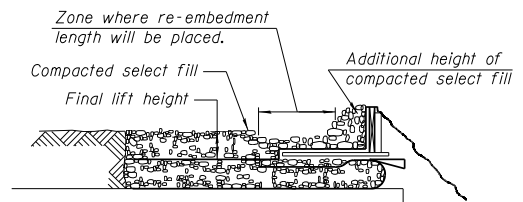
**ELEVATION - NORTH WALL**  
(Looking South)  
(Horizontal dimensions measured along wall)  
North Wall Area = 751 Sq. Ft.



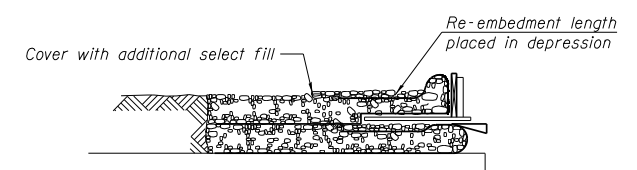
1. Place form brace system on completed reinforcement level; back from the finished fabric face a distance of  $\frac{1}{3}$  to  $\frac{1}{2}$  the geotextile reinforcement spacing.



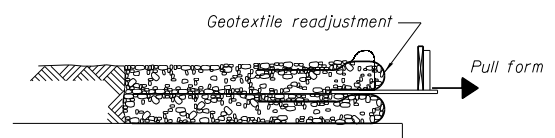
2. Position fabric so that the required geotextile re-embedment length extends over the top of the form brace and the design reinforcement width is placed with no slack against the previous level.



3. Compact select fill material in lifts to final lift height, create ( $\pm 3$ ") depression in zone where re-embedment length will be located and place additional height of compacted select fill against form brace.

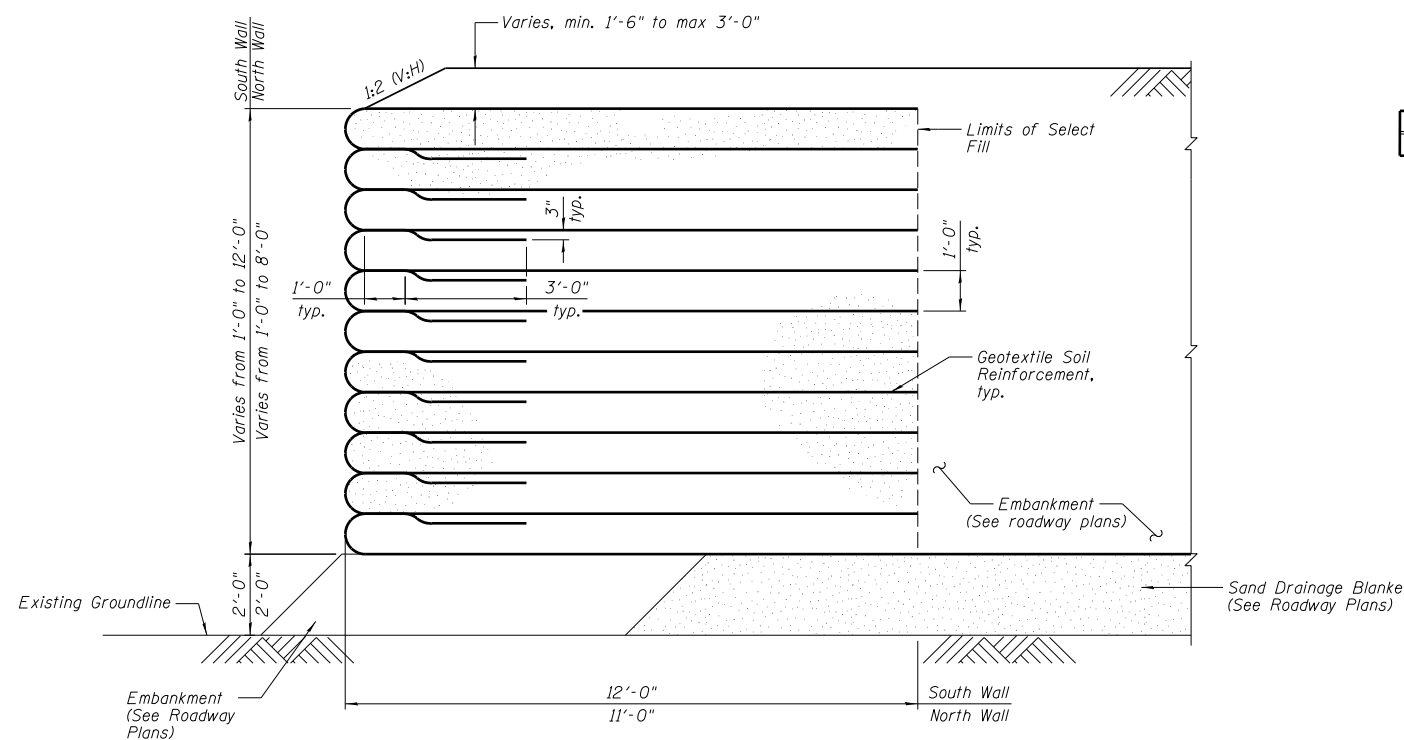


4. Fold geotextile re-embedment length back over form brace into zone where depression was made in select fill and place additional select fill ( $\pm 3$ ") to embed geotextile and bring to final lift height.



5. Pull form brace outward allowing geotextile face to slightly readjust to form tight round face level with plan reinforcement spacing.

**TEMPORARY GEOTEXTILE WALL CONSTRUCTION SEQUENCE**

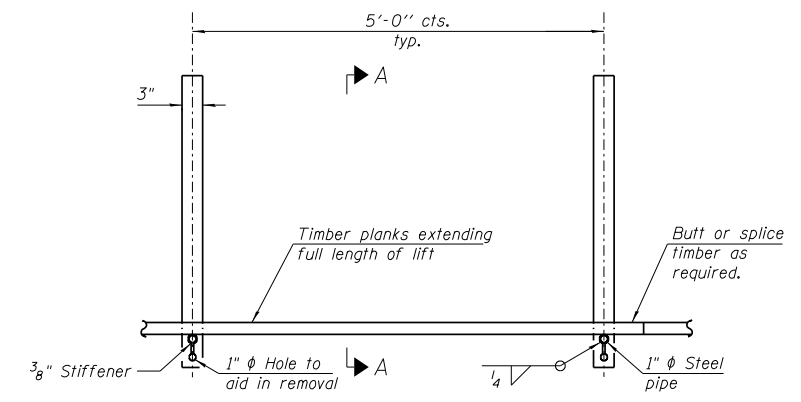


**TYPICAL SECTION**

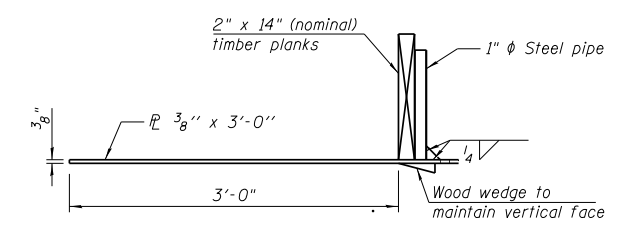
**BILL OF MATERIAL**

Item	Unit	Total
Geotextile Retaining Wall	Sq. Ft.	2,001

Note:  
The geotextile soil reinforcement shall have a minimum allowable tensile strength (T min.) of 56 lb./in. (South Wall) and 49 lb./in. (North Wall) as determined by the procedure described in the Special Provision. The computations supporting the determination of (T min.) shall be submitted to the engineer for approval.



**PLAN**



**SECTION A-A**

**TEMPORARY GEOTEXTILE FORM BRACE DETAIL**

Note:  
This is a suggested detail, the Contractor is responsible for the design of the form brace system to be used.



DESIGNED - TCR/JCZ	REVISED
CHECKED - JML	REVISED
DRAWN - DJM/JWK	REVISED
CHECKED - MSW	REVISED
DATE - 06/26/12	

**STATE OF ILLINOIS  
DEPARTMENT OF TRANSPORTATION**

**TEMPORARY GEOTEXTILE RETAINING WALLS  
STRUCTURE NO. 082-0385 NB & 082-0386 SB**

SHEET NO. A36 OF 48 SHEETS

F.A.P. RTE.	SECTION	COUNTY	TOTAL SHEETS	SHEET NO.
788	520-1-2B	ST. CLAIR	94	67
CONTRACT NO. 76F69				

ILLINOIS FED. AID PROJECT