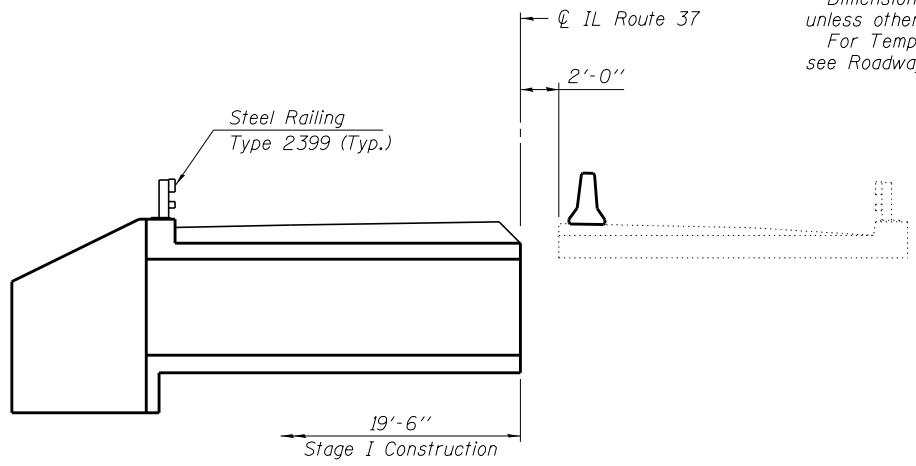


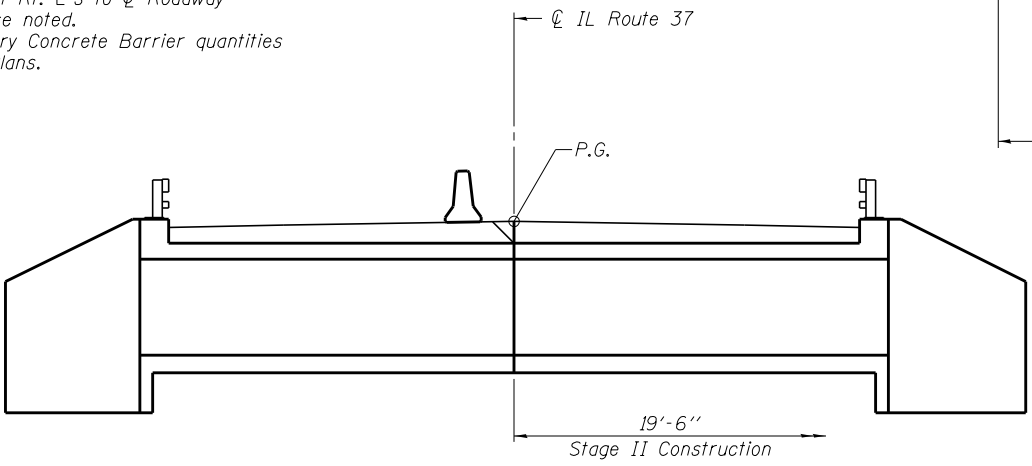
STAGE I REMOVAL
(Looking South)

STAGE II REMOVAL
(Looking South)

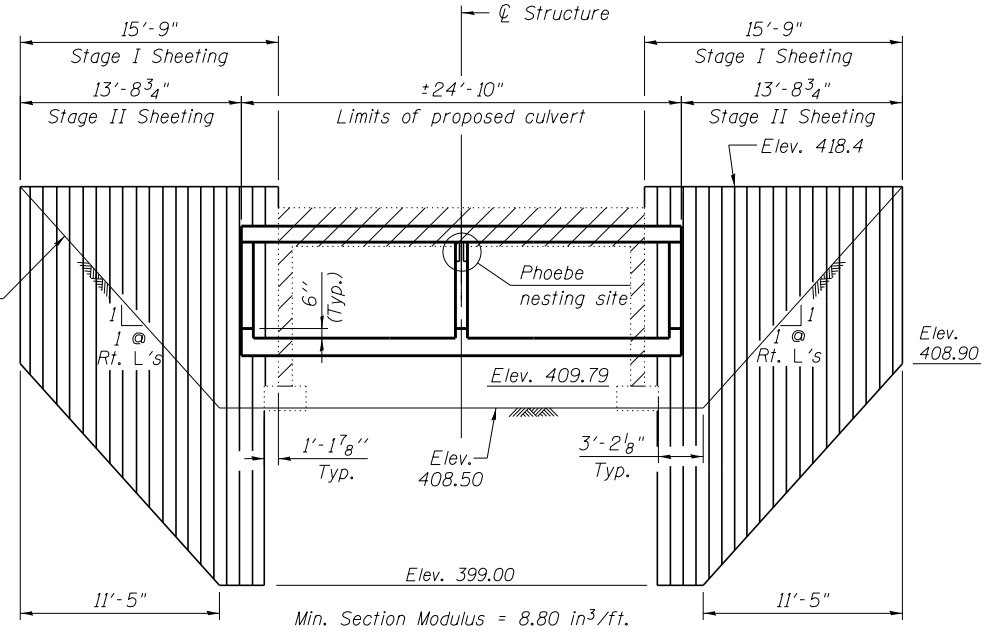
Notes:
Dimensions at Rt. L's to CL Roadway unless otherwise noted.
For Temporary Concrete Barrier quantities see Roadway Plans.



STAGE I CONSTRUCTION
(Looking South)

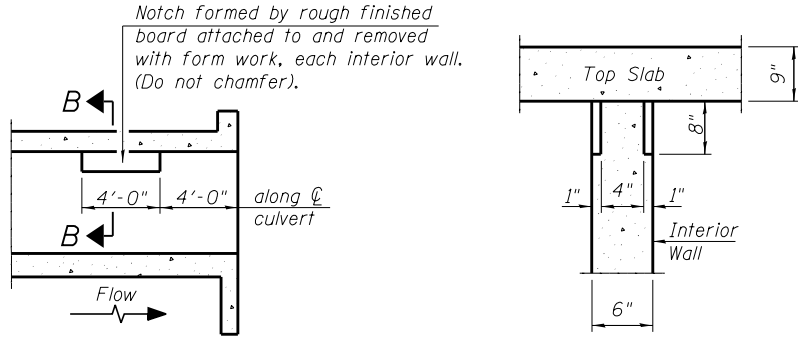


STAGE II CONSTRUCTION
(Looking South)



TEMPORARY SHEET PILING
(Dimensions along CL Roadway unless noted otherwise)

Notes:
If the Contractor chooses to alter the temporary cantilevered sheet piling design requirements shown on the plans, a design submittal including plan details and calculations will be required for review and acceptance by the Engineer.
The Contractor shall connect the first sheet to the existing abutment wall to ensure stability of sheets driven to the top of the existing footing. This connection shall be reviewed and accepted by the Engineer and included in the cost for Temporary Sheet Piling.
Hatched areas indicate Removal of Existing Structures. The existing abutment footings shall not be removed except in locations where they interfere with the proposed wingwall and cutoff wall construction.



PHOEBE NESTING SITE DETAILS
(Downstream End Only)

FILE NAME = 0412019-78148-002-STG.dgn	USER NAME = *USER*	DESIGNED GB	REVISED -
CB PROJECT NO. 07855-5	PLOT SCALE = *SCALE*	CHECKED RM	REVISED -
	PLOT DATE = 10/4/2012	DRAWN MML	REVISED -
		CHECKED MCB	REVISED -

STATE OF ILLINOIS
DEPARTMENT OF TRANSPORTATION

STAGE CONSTRUCTION DETAILS
STRUCTURE NO. 041-2019

SHEET NO. 2 OF 9 SHEETS

CB Coombe-Bloxdorf P.C.
- CIVIL ENGINEERS -
- STRUCTURAL ENGINEERS -
- LAND SURVEYORS -
Design Firm License No. 184-002703

F.A. RTE.	SECTION	COUNTY	TOTAL SHEETS	SHEET NO.
2869	2B-1	JEFFERSON	36	23
CONTRACT NO. 78148				

ILLINOIS FED. AID PROJECT