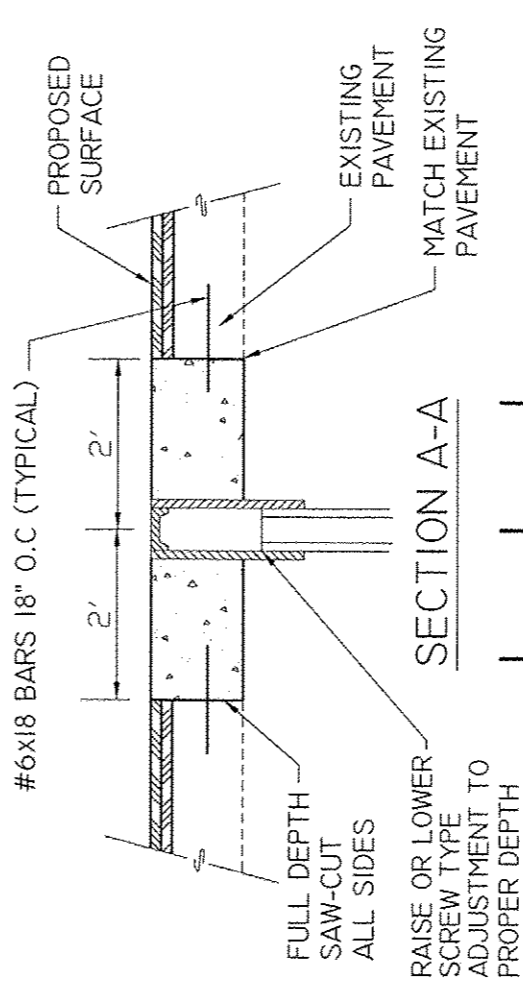


SECTION B-B

PLAN VIEW

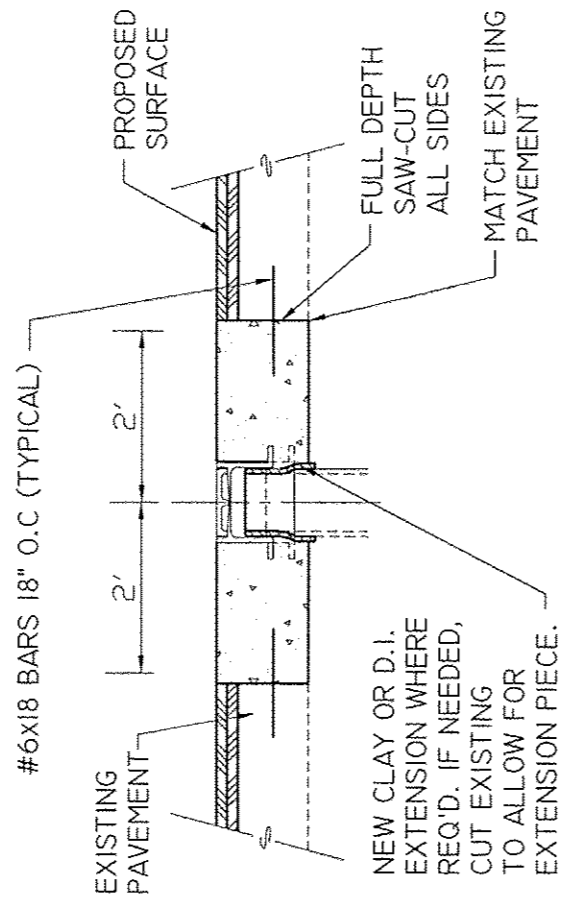
MANHOLE ADJUSTMENT DETAIL



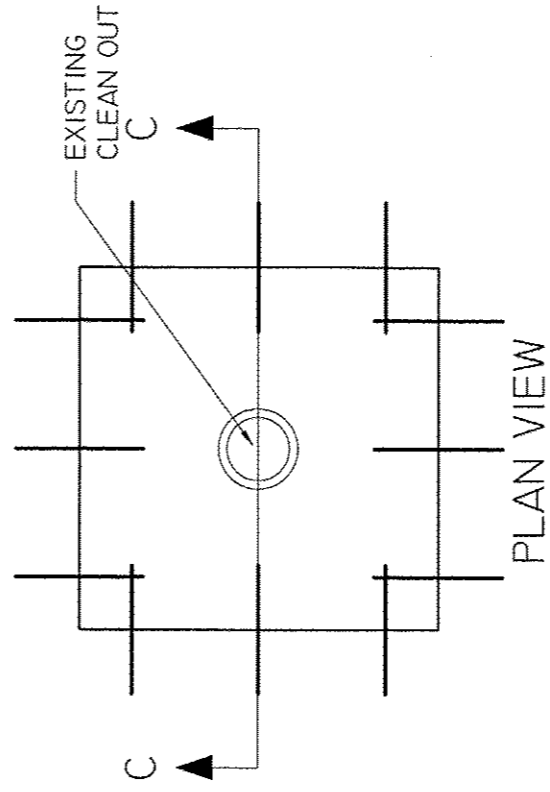
SECTION A-A

PLAN VIEW

B - BOX ADJUSTMENT
DETAIL



SECTION C-C



PLAN VIEW

CLEAN OUT ADJUSTMENT
DETAIL

NOTE:
ALL REINFORCING BARS SHALL BE EPOXY COATED

TYPICAL ADJUSTMENT DETAIL		DATE	SHEET
		10/11	14/16
		CITY OF MOLINE STANDARD	