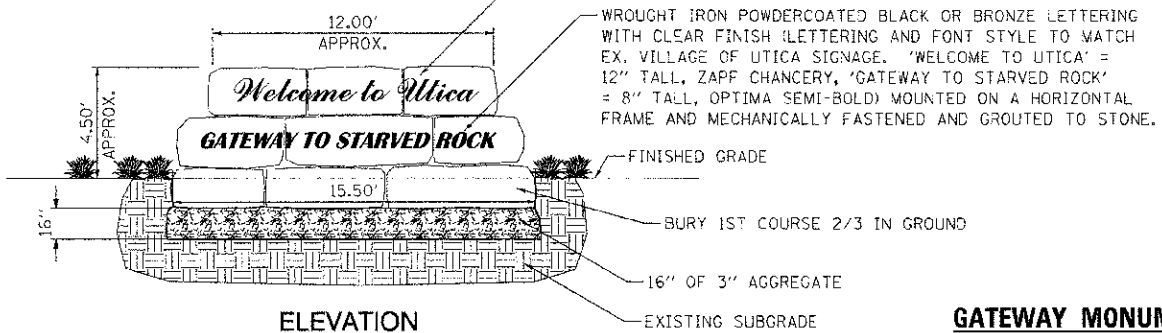


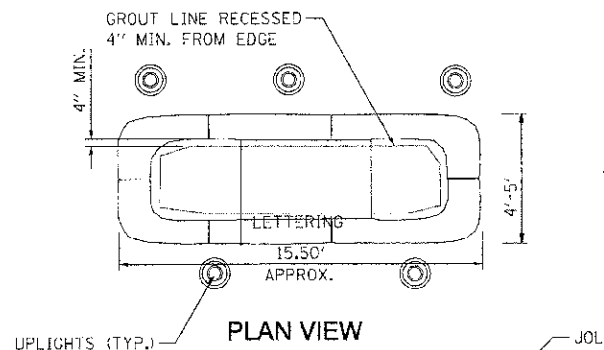
PLAN VIEW



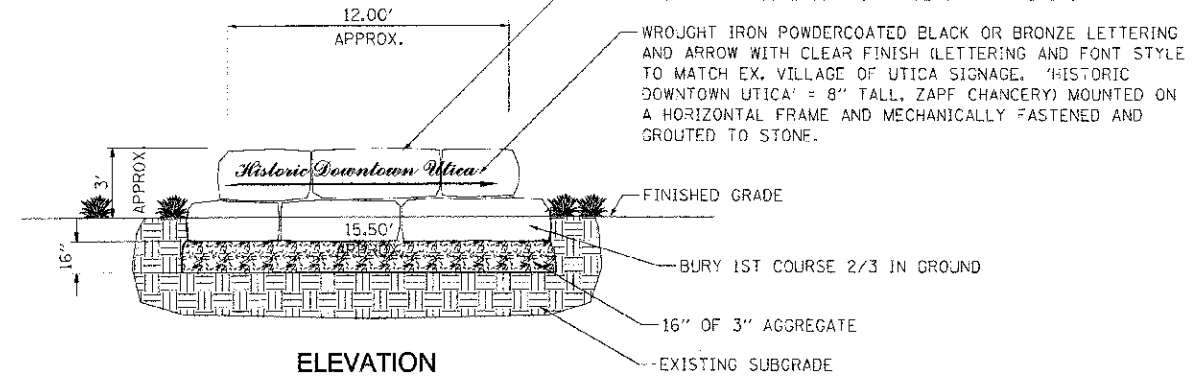
ELEVATION

AT STATION 170+50, 50' RT

- NOTES:
 1. CONTRACTOR MAY ADJUST THE SHAPE OF THE 'GATEWAY MONUMENT SIGN COMPLETE' AND THE 'MONUMENT TYPE A' TO ACHIEVE A NATURAL LOOK, AND TO BE COMPATIBLE WITH THE EXISTING UPLIGHTS AS APPLICABLE.
 2. CONTRACTOR TO VERIFY LETTERING SIZES ARE COMPATIBLE WITH THE MONUMENTS AS CONSTRUCTED IN THE FIELD.



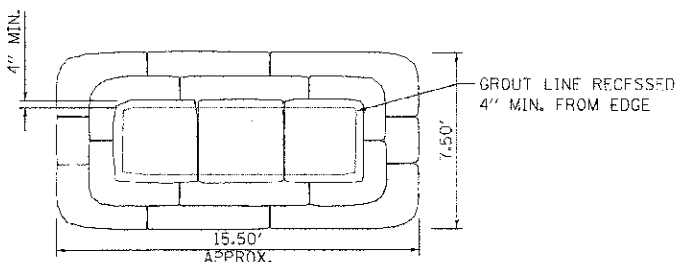
PLAN VIEW



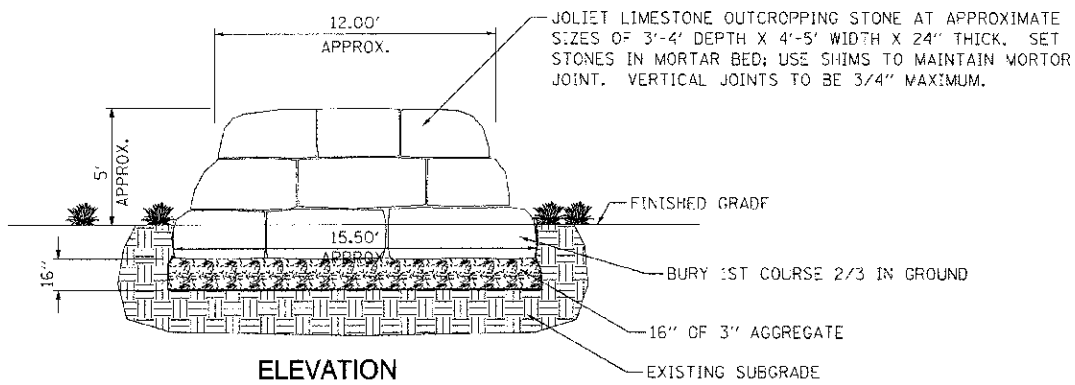
ELEVATION

AT STATION 180+45, 40' LT

GATEWAY MONUMENT SIGN COMPLETE

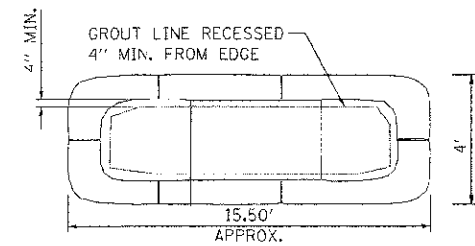


PLAN VIEW

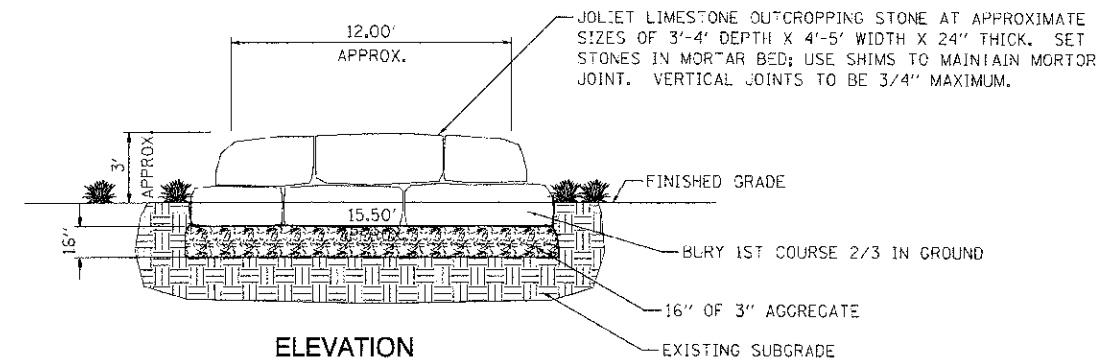


ELEVATION

AT STATION 180+80, 59' RT
 AT STATION 181+60, 40' LT



PLAN VIEW



ELEVATION

AT STATION 180+80, 26' RT
 AT STATION 181+20, 51' LT

MONUMENT TYPE A

STATE OF ILLINOIS
 DEPARTMENT OF TRANSPORTATION

PROPOSED DETAILS
 GATEWAY MONUMENT SIGN COMPLETE AND MONUMENT TYPE A

SCALE: N.T.S. SHEET NO. OF SHEETS STA. TO STA.

F.A.S. RTE.	SECTION	COUNTY	TOTAL SHEETS	SHEET NO.
1279	06-00017-01-LS	LA SALLE	29	23
CONTRACT NO. 87355				
FED. ROAD DIST. NO. ILLINOIS FED. AID PROJECT				

FILE NAME : \\\FS-0644\AMV\AKU\1.D\FRHS.0\222\2047-801\CIVIL\CON\9355\SHEETS\087355-SHT-ROADDETAILS.DGN
 EXP U.S. Services Inc.
 CHICAGO, IL
 847-231-1212 (M-F 9-5)
 EXP U.S. Services Inc.
 CHICAGO, IL
 847-231-1212 (M-F 9-5)
 EXP U.S. Services Inc.
 CHICAGO, IL
 847-231-1212 (M-F 9-5)