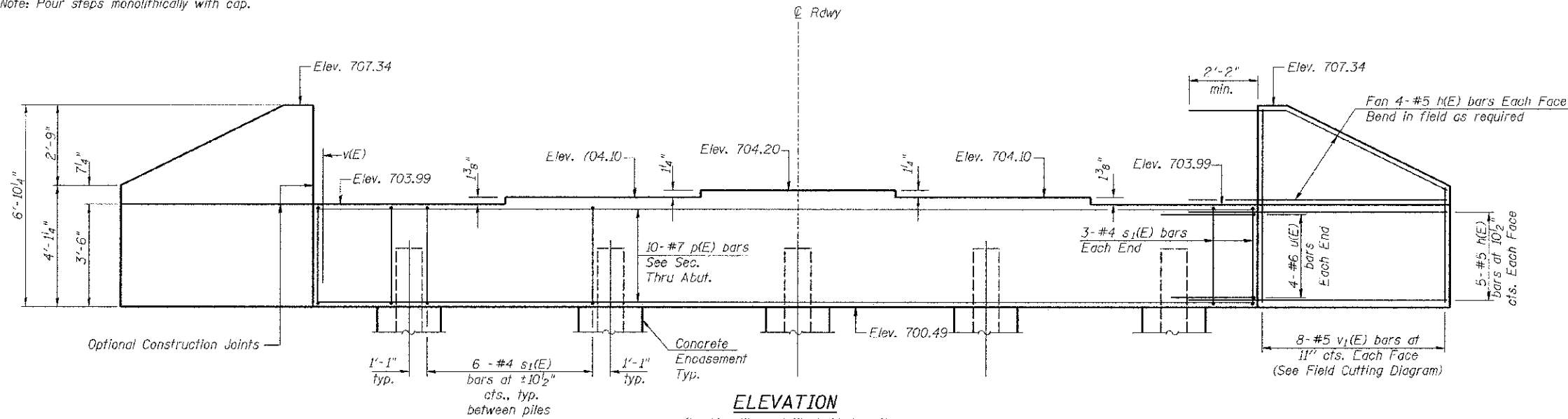
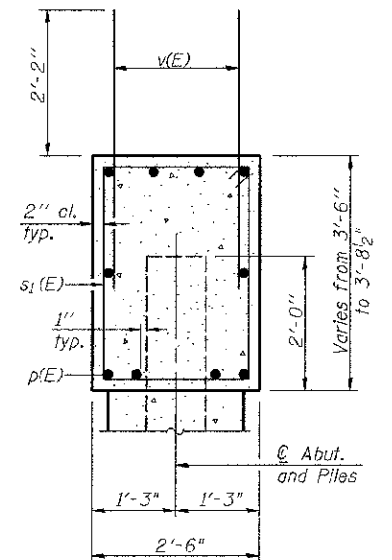


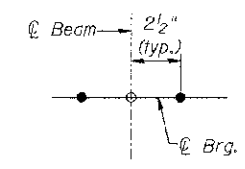
Note: Pour steps monolithically with cap.



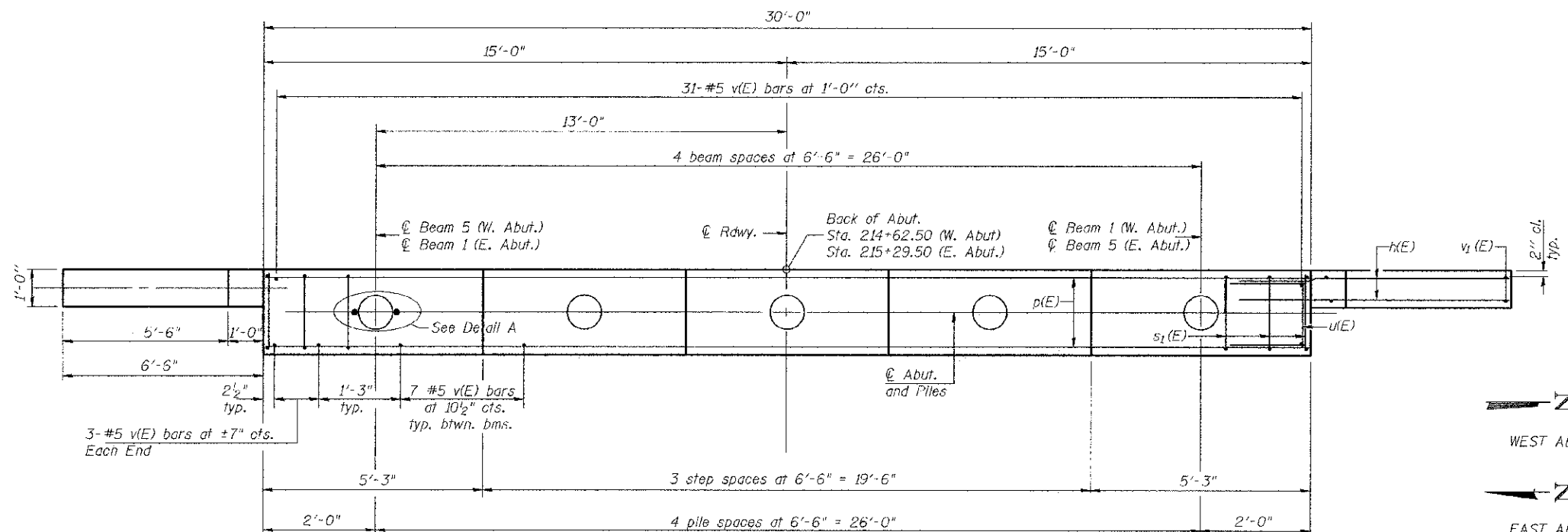
**ELEVATION**  
(Looking West at West Abutment)  
(Looking East at East Abutment)



**SEC. THRU ABUT.**



**DETAIL A**



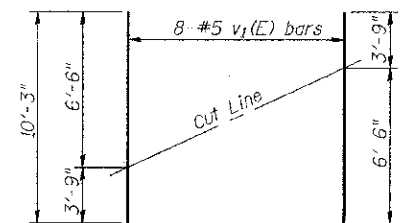
**PLAN**

**TWO ABUTMENTS  
BILL OF MATERIAL**

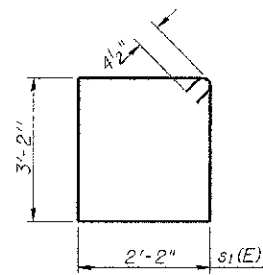
Bar	No.	Size	Length	Shape
h(E)	72	#5	8'-6"	—
p(E)	20	#7	29'-8"	—
s1(E)	60	#4	11'-5"	□
u(E)	16	#6	10'-1"	□
v(E)	130	#5	4'-4"	—
v1(E)	32	#5	10'-3"	—
Structure Excavation		CU YD	150	
Concrete Structures		CU YD	25.4	
Reinforcement Bars, Epoxy Coated		POUND	3,480	
Furnishing Metal Shell Piles 12"x0.250"		FOOT	360	
Driving Piles		FOOT	360	
Test Pile Metal Shells		EACH	1	
Concrete Encasement		CU YD	4.6	
Pile Shoes		EACH	10	

For details of piles and Concrete Encasement, see sheet 12 of 15.  
Space reinforcement in cap to miss anchor bolts.

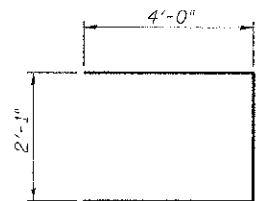
**PILE DATA**  
Type & Size: Metal Shell 12"x0.250" walls with pile shoes  
Nominal Required Bearing: 265 k  
Factored Resistance Available: 145 k  
Est. Length: 40'  
No. Req'd.: 10 (Includes 1 Test Pile at West Abut.)



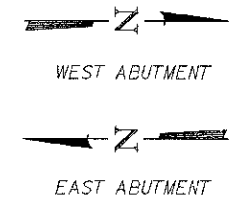
**FIELD CUTTING DIAGRAM**  
Order v1(E) full length. Cut as shown and use remainder of bars in opposite face.



**BAR s1(E)**



**BAR u(E)**



**ABUTMENTS  
COUNTY HIGHWAY 9 OVER  
LOUIS CREEK TRIBUTARY  
SEC. 08-00130-02-BR  
IROQUOIS COUNTY  
STATION 214+96.00**

SHEET NO. 11 15 SHEETS	F.A.S. RTE. 334	SECTION 08-00130-02-BR	COUNTY IROQUOIS	TOTAL SHEETS 27	SHEET NO. 17
	SN 038-3014		CONTRACT NO. 87524		
FED. ROAD DIST. NO. 7 ILLINOIS			FED. AID PROJECT BRS-0334(113)		