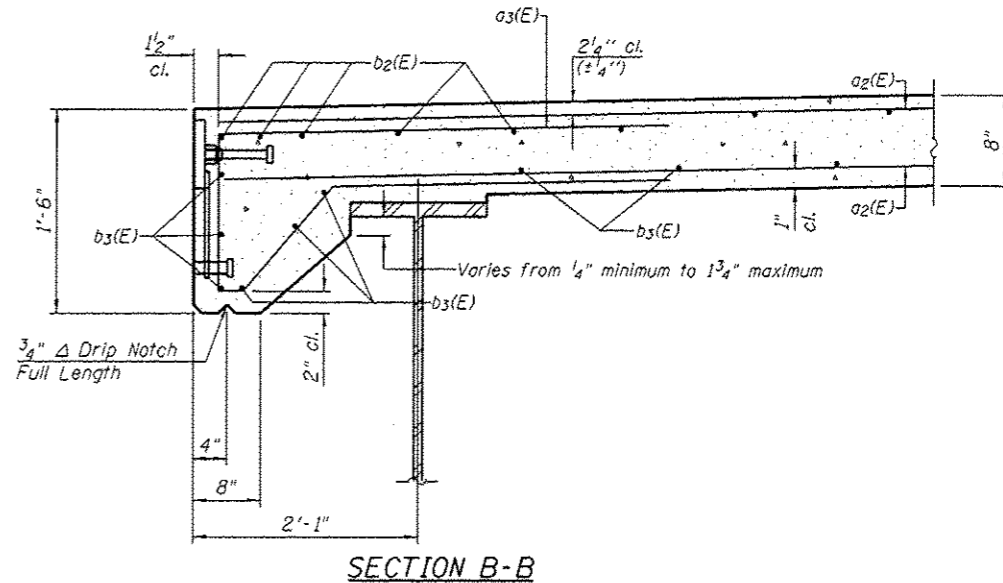
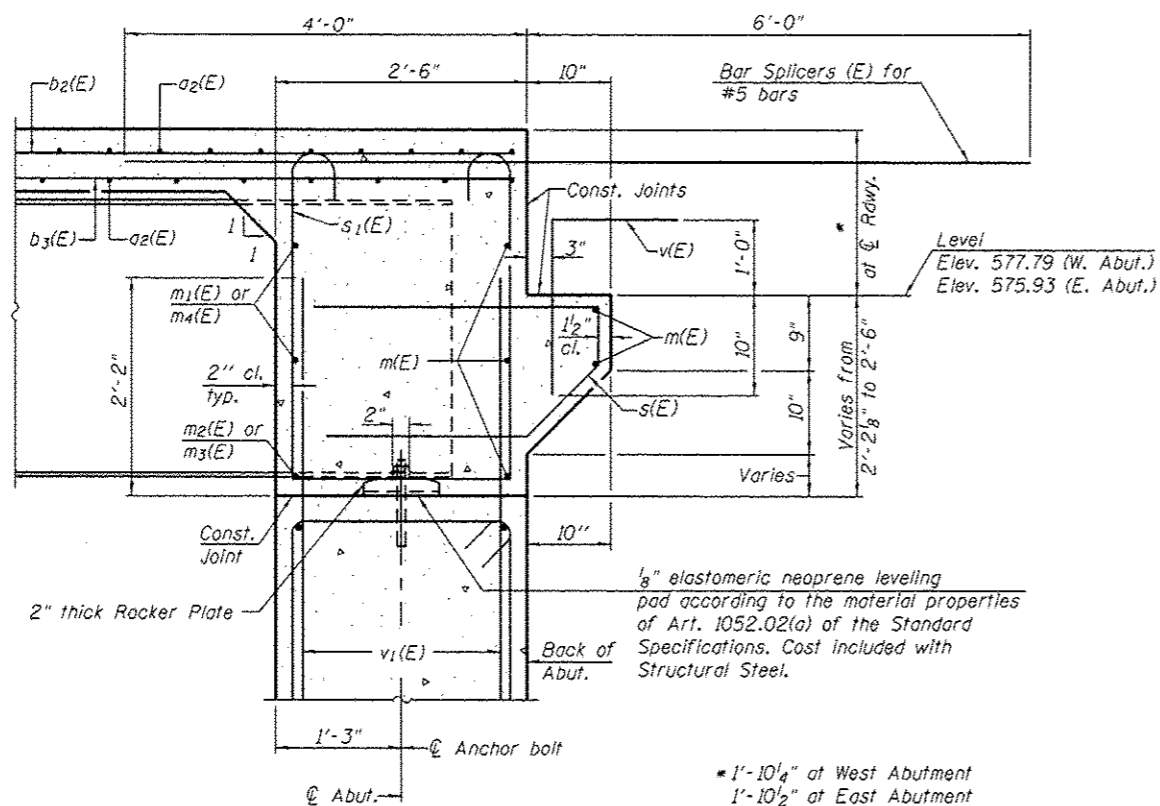


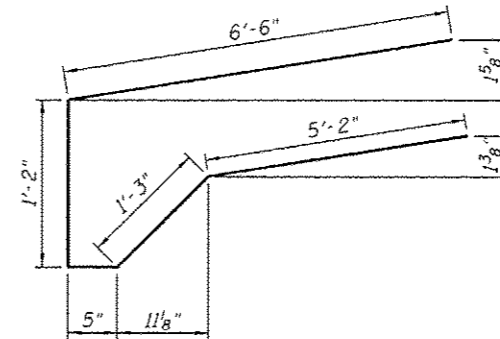
DIAPHRAGM ELEVATION AT ABUTMENT MIN. BAR LAP
#6 bar = 3'-4"



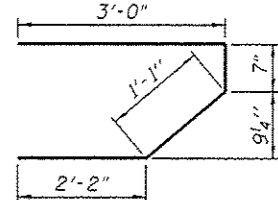
SECTION B-B



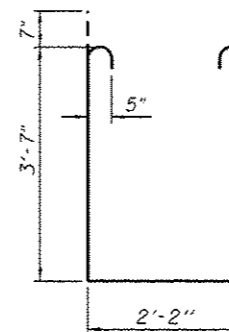
SECTION A-A



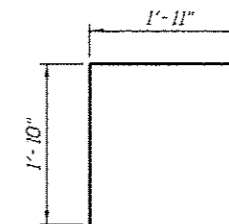
BAR a3(E)



BAR s(E)



BAR s1(E)



BAR v(E)

SUPERSTRUCTURE BILL OF MATERIAL

Bar	No.	Size	Length	Shape
a2(E)	327	#5	39'-8"	—
a3(E)	404	#6	14'-6"	⌋
b2(E)	172	#5	25'-6"	—
b3(E)	141	#5	33'-0"	—
m(E)	10	#6	39'-8"	—
m1(E)	16	#6	10'-6"	—
m2(E)	10	#6	6'-10"	—
m3(E)	4	#6	1'-9"	—
m4(E)	8	#6	7'-2"	—
s(E)	136	#5	6'-10"	⌋
s1(E)	92	#5	10'-6"	⌋
v(E)	82	#5	3'-9"	⌋
Concrete Superstructure		Cu. Yd.	143.2	
Bridge Deck Grooving		Sq. Yd.	411	
Protective Coat		Sq. Yd.	442	
Reinforcement Bars, Epoxy Coated		Pound	35,100	
Bar Splicers		Each	86	

Notes:
Concrete in diaphragm is included with Concrete Superstructure.
For details of v1(E) bar see sheets 12 and 13 of 18.
For bar splicer detail see sheet 15 of 18.

18/2/2012 5:01:59 PM P:\P\022956 - Smithville Road Bridge\03\CADD Sheets\Structure\0323148-2956-007-1\1301.dwg