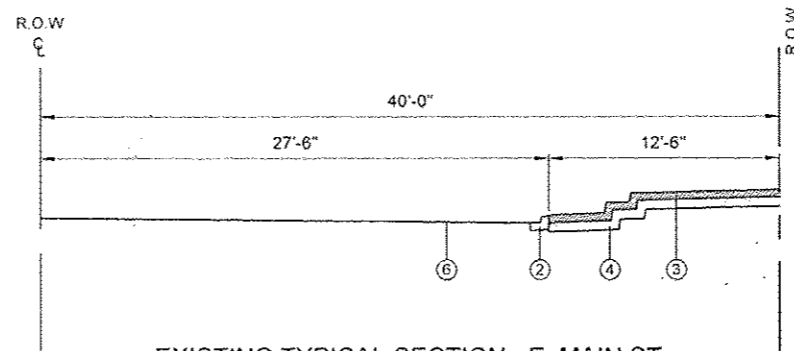
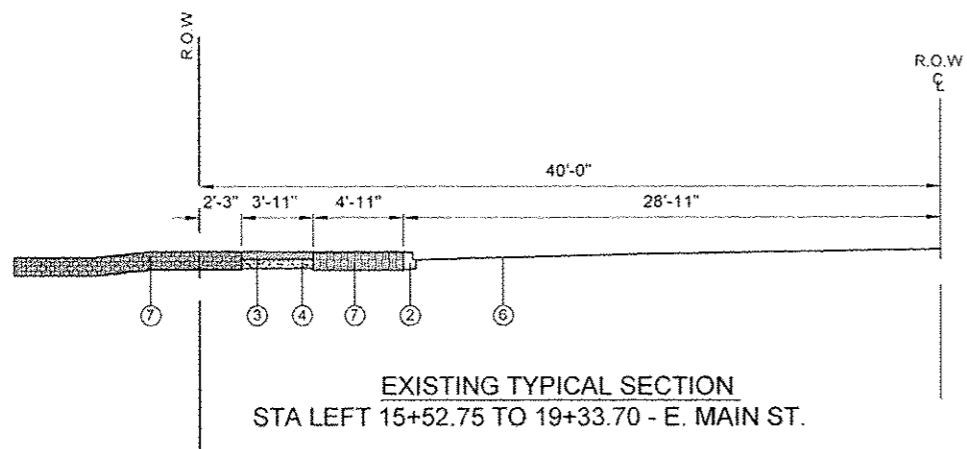


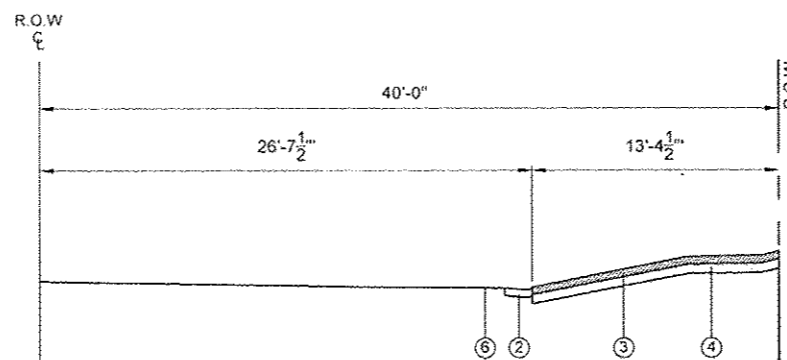
EXISTING TYPICAL SECTION - W. MAIN ST.  
STA LEFT 15+00.66 TO 15+52.75



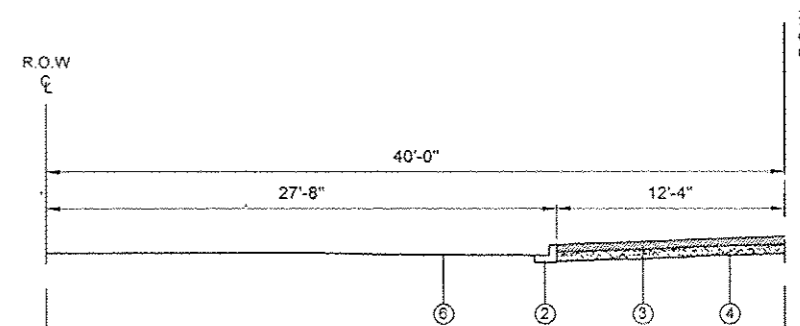
EXISTING TYPICAL SECTION - E. MAIN ST.  
STA RIGHT 15+52.75 TO 18+45.41



EXISTING TYPICAL SECTION  
STA LEFT 15+52.75 TO 19+33.70 - E. MAIN ST.



EXISTING TYPICAL SECTION - E. MAIN ST.  
STA RIGHT 18+45.41 TO 18+61.80



EXISTING TYPICAL SECTION - E. MAIN ST.  
STA RIGHT 18+61.80 TO 19+33.70

**LEGEND:**

- ① EXISTING P.C.C PAVEMENT
- ② EXISTING CONCRETE CURB & GUTTER
- ③ EXISTING P.C.C. SIDEWALK
- ④ EXISTING BASE COURSE
- ⑤ EXISTING ASPHALT SURFACE COURSE
- ⑥ EXISTING STREET PAVEMENT AND BASE
- ⑦ EXISTING TOP SOIL AND PLANTING AREA

FILE NAME *	DESIGNED WS	REVISED -
USER NAME *	DRAWN BM	REVISED -
PLOT DATE *	CHECKED DA	REVISED -
	DATE 10/29/2012	REVISED -



CITY OF ELMWOOD

EXISTING TYPICAL ROADWAY SECTIONS  
ELMWOOD STREETScape

SCALE: 1" = 40'-0"

STA. TO STA.

F.A. RTE.	SECTION	COUNTY	TOTAL SHEETS	SHEET NO.
	10-00002-00-LS	PEORIA	34	08
CONTRACT NO. 89604			ILLINOIS FED. AID PROJECT	