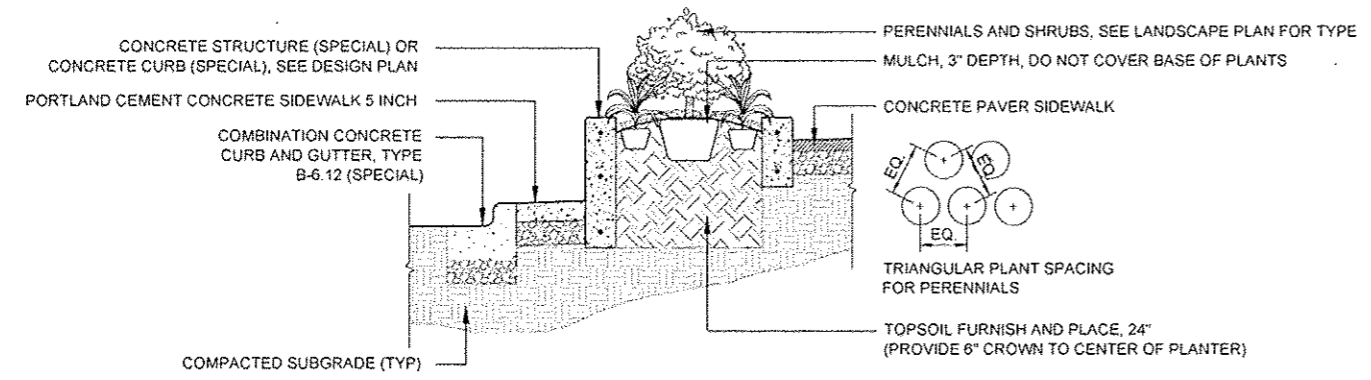
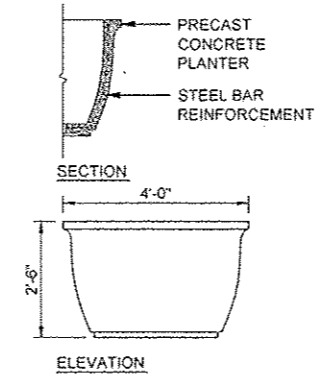


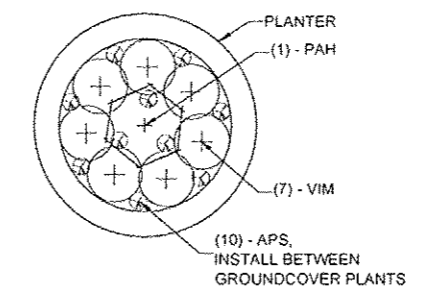
1 LANDSCAPE PLAN
SCALE: 1" = 10'-0"



2 TYPICAL LANDSCAPE PLANTING DETAIL
SCALE: 1/2" = 1'-0"

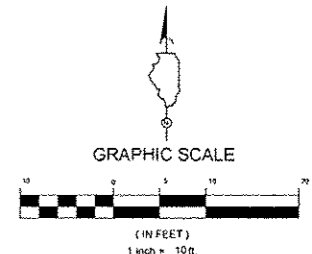


3 PLANTER DETAIL
SCALE: 1/2" = 1'-0"



4 PLANTER ENLARGEMENT
SCALE: NTS

- LEGEND AND ABBREVIATIONS:**
- R.O.W. LINE
 - [Stippled pattern] SODDING, SALT TOLERANT AND TOPSOIL FURNISH AND PLACE, 4"
 - [Diagonal lines pattern] PERENNIAL PLANTS, ORNAMENTAL TYPE (SEE PLANT SCHEDULE FOR TYPE)
 - [Vertical lines pattern] PERENNIAL PLANTS, ORNAMENTAL TYPE (SEE PLANT SCHEDULE FOR TYPE)
 - [Circle with cross pattern] PERENNIAL PLANTS, ORNAMENTAL TYPE (SEE PLANT SCHEDULE FOR TYPE)
 - [Circle with plus pattern] SHRUB (SEE PLANT SCHEDULE FOR TYPE)
 - [Circle with cross and plus pattern] SHRUB (SEE PLANT SCHEDULE FOR TYPE)
 - [Circle with dot pattern] PLANTER



FILE NAME *	DESIGNED WS	REVISED -
USER NAME *	DRAWN TL/BD	REVISED -
PLDT DATE *	CHECKED DA	REVISED -
	DATE 10/29/2012	REVISED -

TERRA
ENGINEERING LTD.
225 N. OHIO ST., FOURTH FL.
CHICAGO, IL 60654
(312)467-6123

CITY OF ELMWOOD

**LANDSCAPE PLAN AND DETAILS
ELMWOOD STREETScape**

SCALE: 1" = 10'-0" STA. 17+50.00 TO STA. 19+83.77

F.A. RTE.	SECTION	COUNTY	TOTAL SHEETS	SHEET NO.
	10-0002-00-LS	PEORIA	34	26
			CONTRACT NO. 89604	
ILLINOIS FED. AID PROJECT				