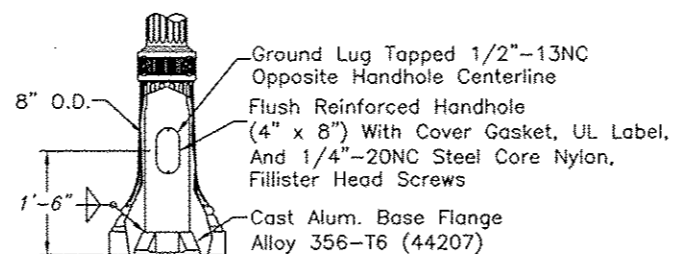
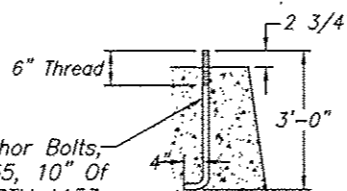


Plan View

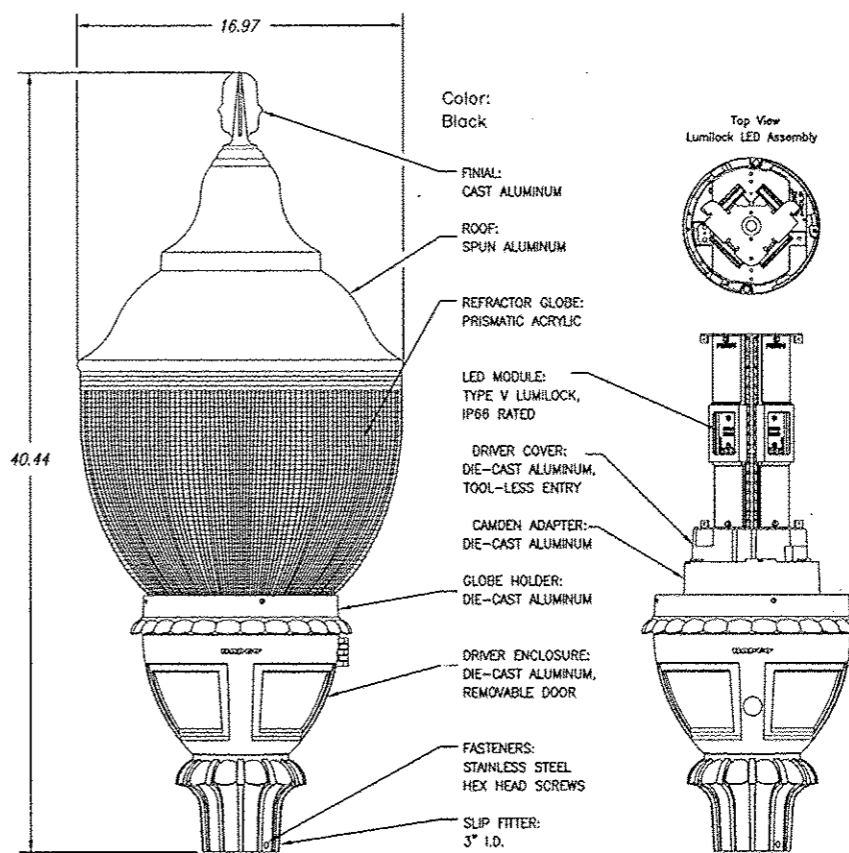
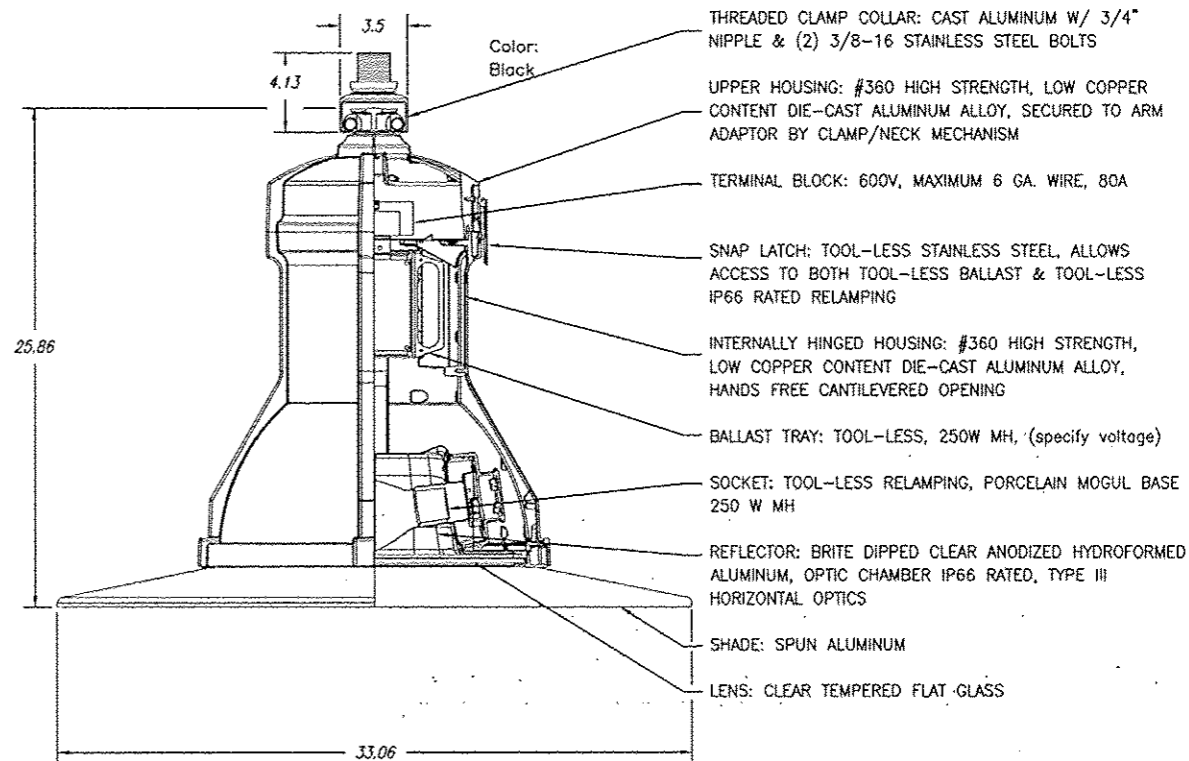
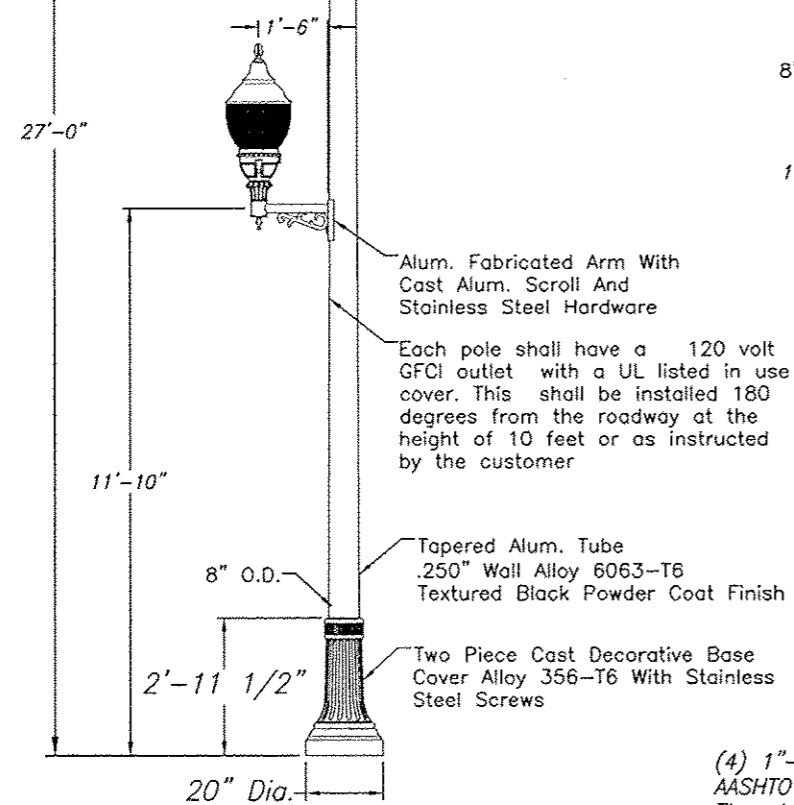


Pole Base Detail

11" to 12" Dia. Bolt Circle



- (4) 1"-8NC Galv. Stl. Anchor Bolts, AASHTO M314-90 Grade 55, 10" Of Threaded End Galv. Per ASTM A153.
- (4) 1"-8NC Galv. Stl. Hex. Nuts
- (4) 1" Galv. Stl. Lockwashers
- (4) 1" Galv. Stl. Flatwashers



Lumilock LED Specifications:

- 40, 4000K (neutral) Philips Lumileds Rebel ES LED's on aluminum core pcb, sealed acrylic lens, IP66 rated, 60,000 hrs. at 25° C ambient temperature & 70% lumen maintenance, 70 color rendering index (CRI) nominal, type V light distribution.
- Philips Advance Xitanium class 1, IP66 rated LED driver, driver operates 120-277 VAC, power factor 0.90, 350mA, 50-60Hz. auto sensing, field adjustable 10kV/10kA surge suppression.

FILE NAME =	DESIGNED CH	REVISED -
	DRAWN CH	REVISED -
USER NAME *	CHECKED DA	REVISED -
PLOT DATE =	DATE 10/29/2012	REVISED -



CITY OF ELMWOOD

LIGHTING DETAILS
ELMWOOD STREETSCAPE

SCALE:

STA. TO STA.

F.A. RTE.	SECTION	COUNTY	TOTAL SHEETS	SHEET NO.
	10-00002-00-LS	PEORIA	34	30
CONTRACT NO. 89604			ILLINOIS FED. AID PROJECT	