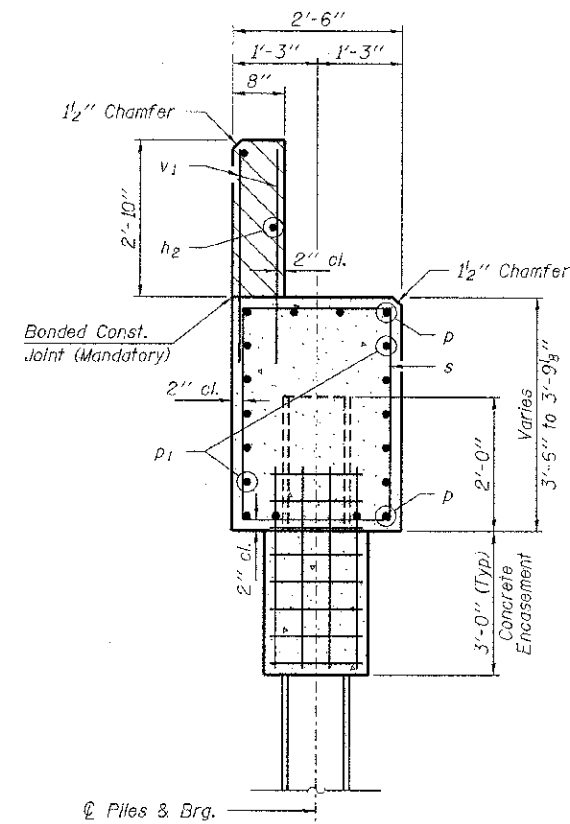
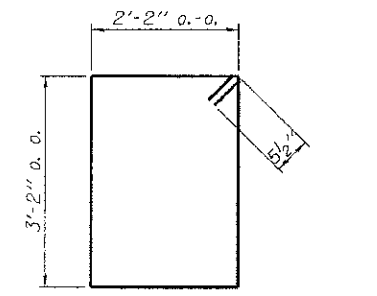


PLAN

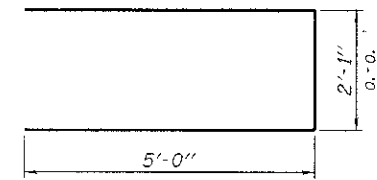


SECTION A-A

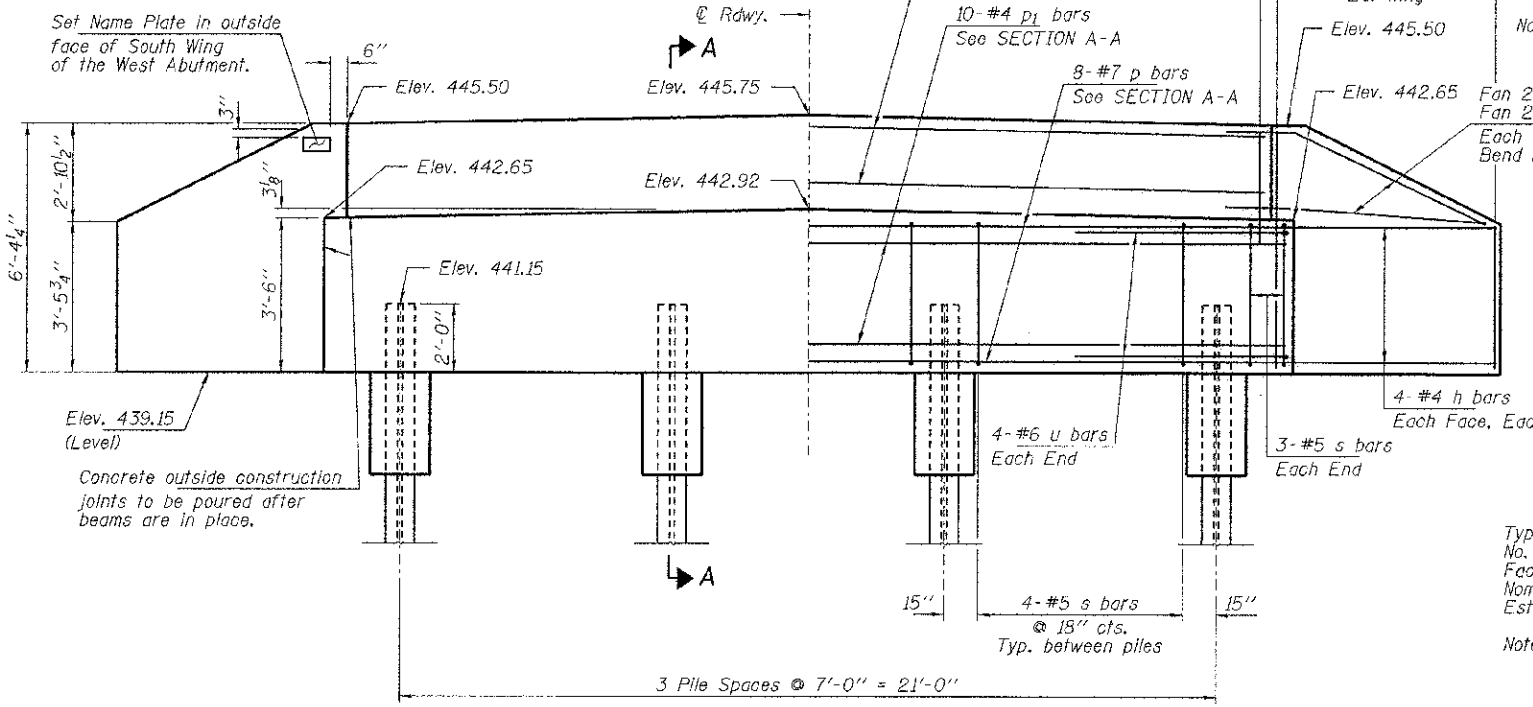
Hatched area to be poured after beams are in place.



BAR s



BAR u



ELEVATION

PILE DATA

Type ----- Steel HP12x53  
 No. Req'd. (2 Abutts.) ----- \*8  
 Factored Resistance Available (Rf) ----- 209 Kips/Pile  
 Nominal Required Bearing (Rn) ----- 419 Kips/Pile  
 Est. Length ----- 65 Ft/Pile

Notes: \* Includes one test pile to be driven in a permanent location at the East Abutment.  
 The test piles shall be driven to 110 percent of the Nominal Required Bearing indicated in the pile data information.

BILL OF MATERIAL - 2 ABUTS.

BAR	NO.	SIZE	LENGTH	SHAPE	
h	40	#4	8'-0"	—	
h1	8	#4	6'-6"	—	
h2	4	#4	25'-2"	—	
p	16	#7	25'-2"	—	
p1	20	#4	25'-2"	—	
s	36	#5	11'-7"	□	
u	16	#6	12'-1"	—	
v	24	#4	5'-3"	—	
v1	120	#4	4'-3"	—	
v2	16	#4	3'-3"	—	
Concrete Structures				Cu. Yd.	25.2
Concrete Encasement				Cu. Yd.	2.8
Reinforcement Bars				Pound	2,660
Steel Piles HP12x53				Foot	455
Test Pile Steel HP12x53				Each	1
Name Plates				Each	1