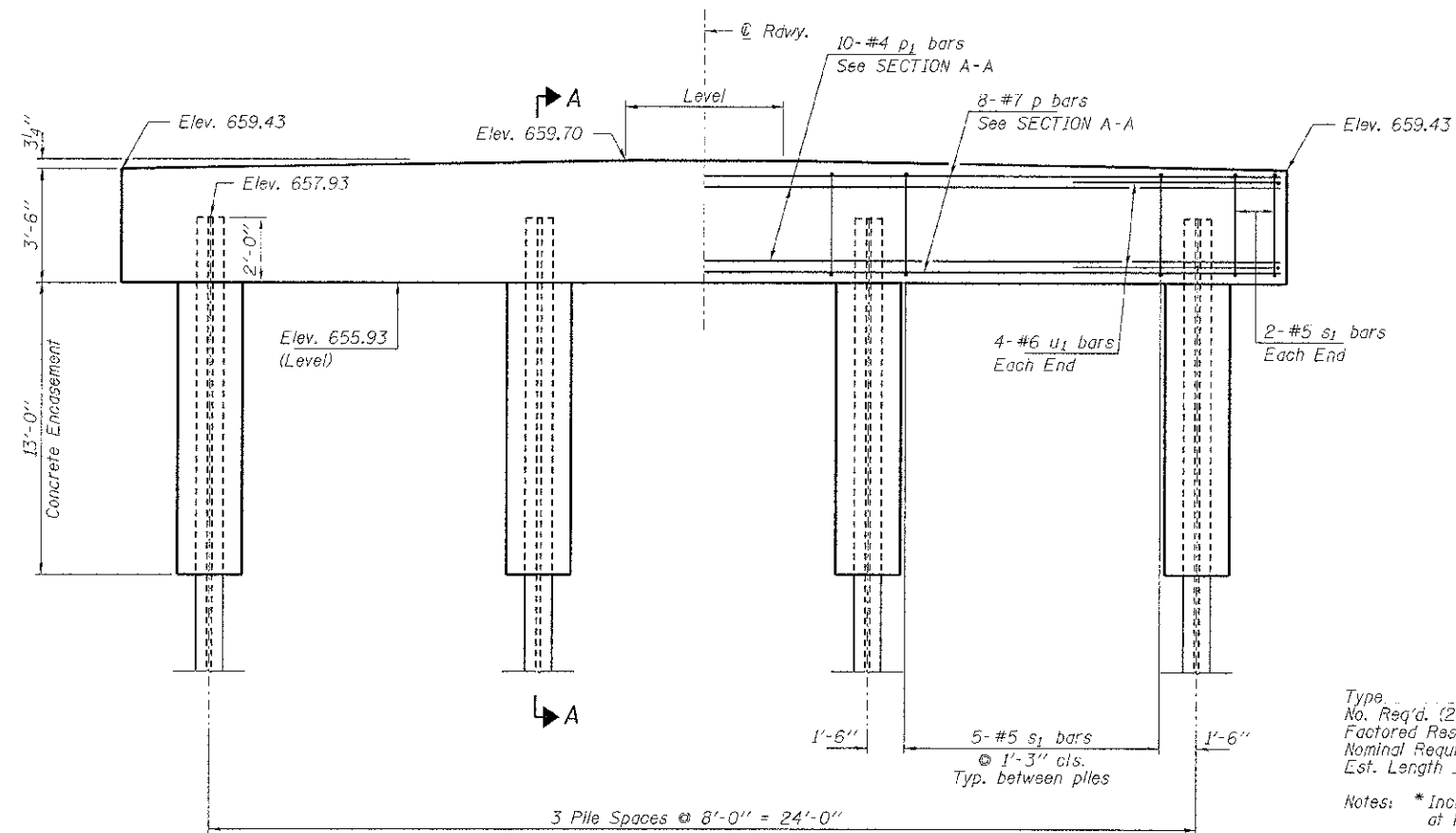
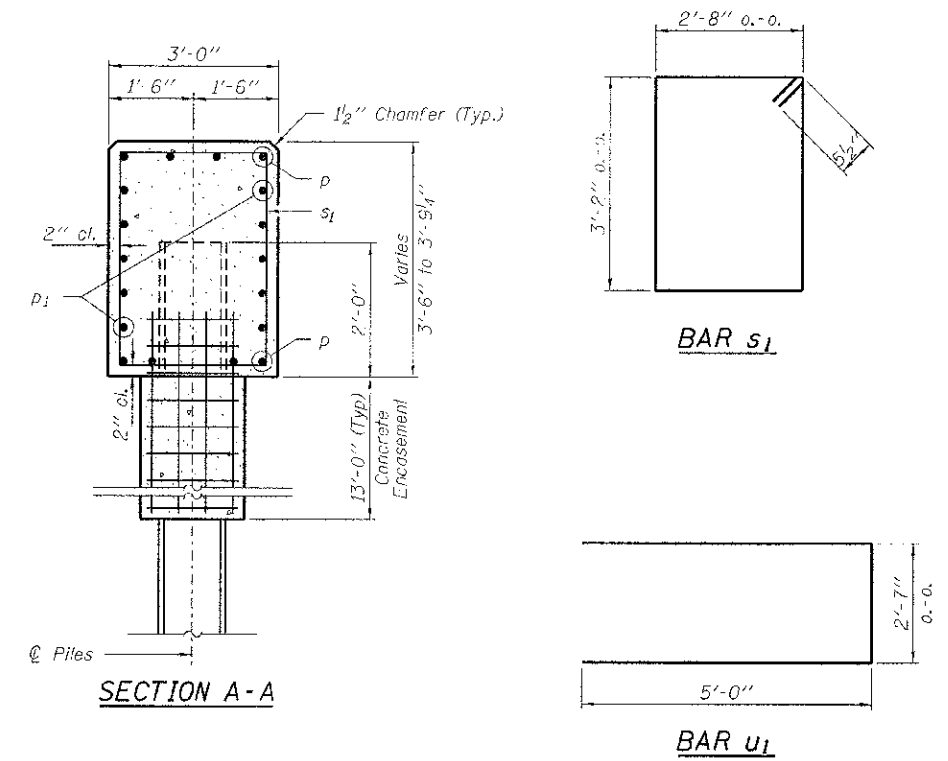


PLAN



ELEVATION



PILE DATA

Type ----- Steel HP10x42
 No. Req'd. (2 Piers) ----- *8
 Factored Resistance Available (RF) ----- 174 Kips/Pile
 Nominal Required Bearing (Rn) ----- 316 Kips/Pile
 Est. Length ----- 60 Ft./Pile

Notes: * Includes one test pile to be driven in a permanent location at Pier 2.

The test piles shall be driven to 110 percent of the Nominal Required Bearing indicated in the pile data information.

BILL OF MATERIAL - 2 PIERS

BAR	NO.	SIZE	LENGTH	SHAPE
p	16	#7	29' 2"	—
p ₁	20	#4	29' 2"	—
s ₁	38	#5	12' 7"	□
u ₁	16	#6	12' 7"	—
Concrete Structures			Cu. Yd.	24.0
Concrete Encasement			Cu. Yd.	11.8
Reinforcement Bars			Pound	2,140
Steel Piles HP10x42			Foot	420
Test Pile Steel HP10x42			Each	1