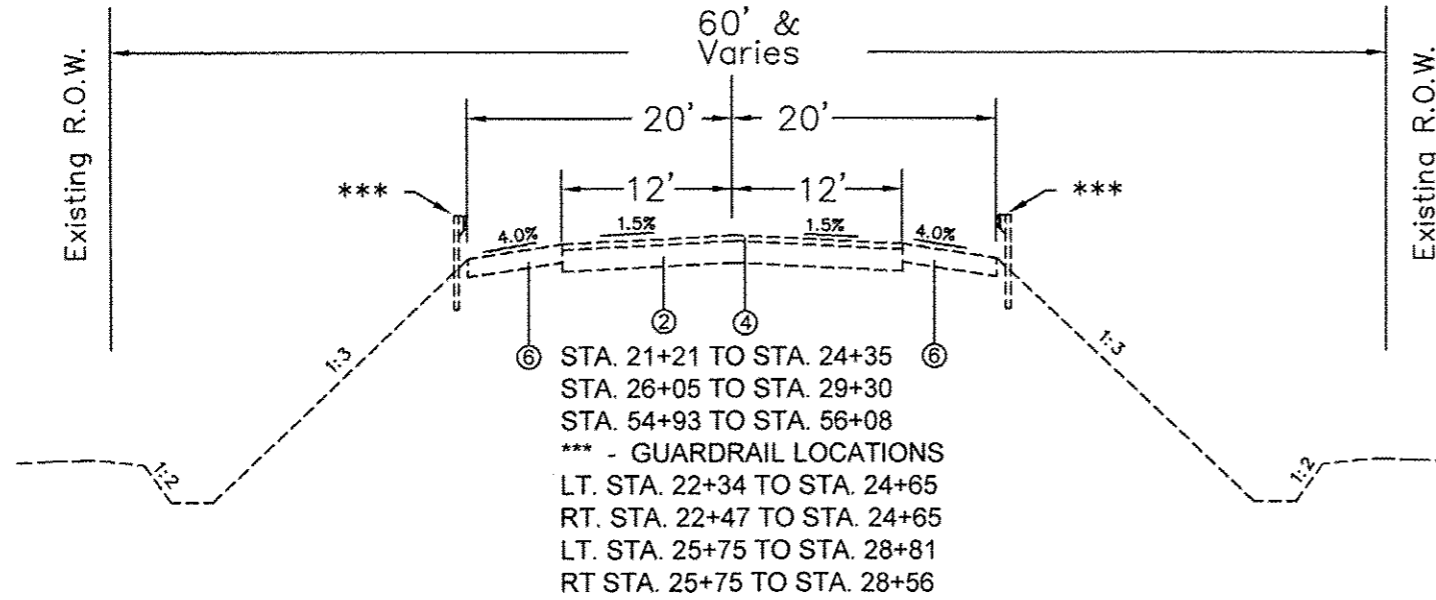
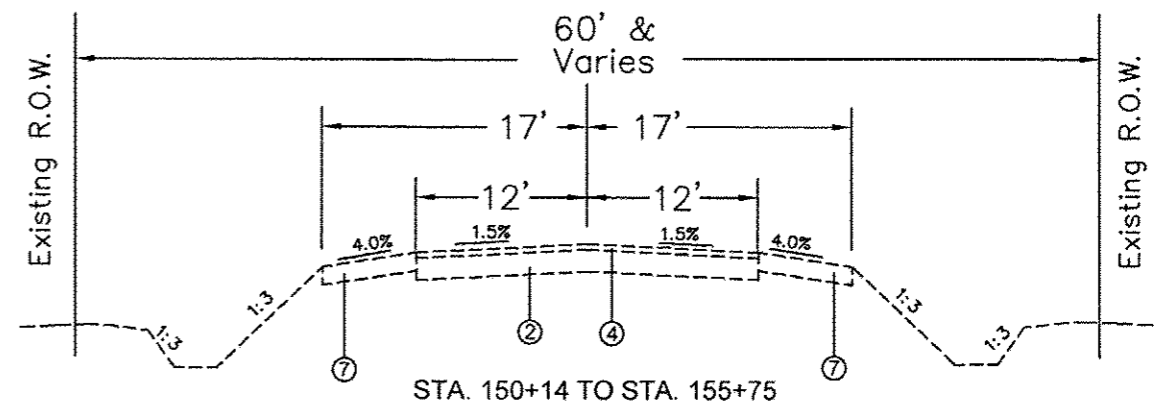
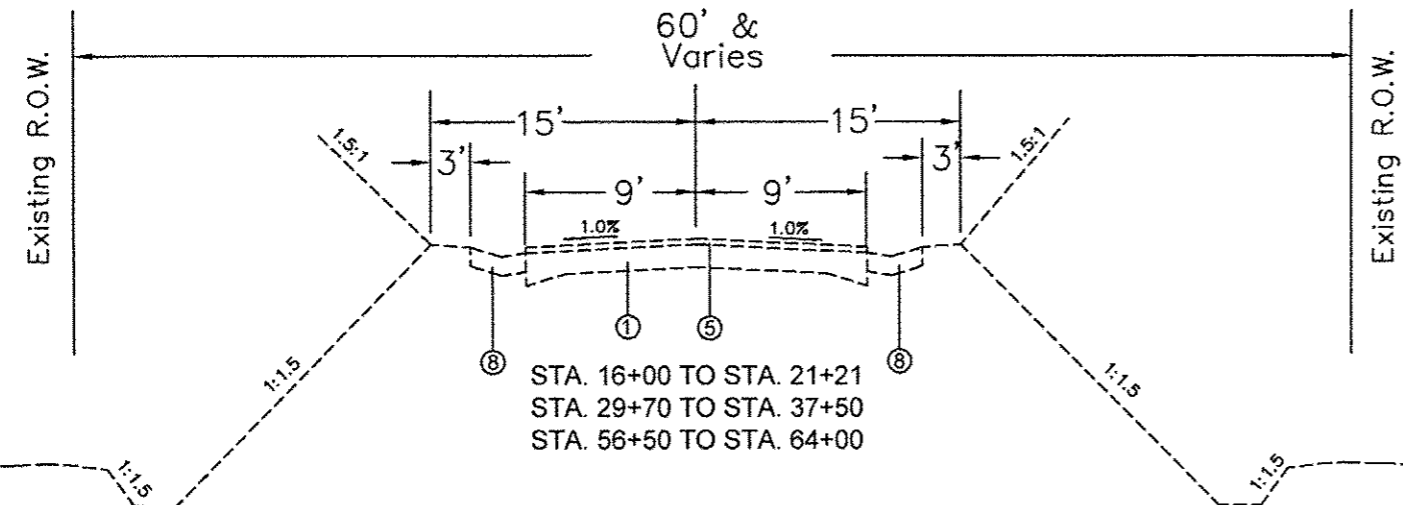
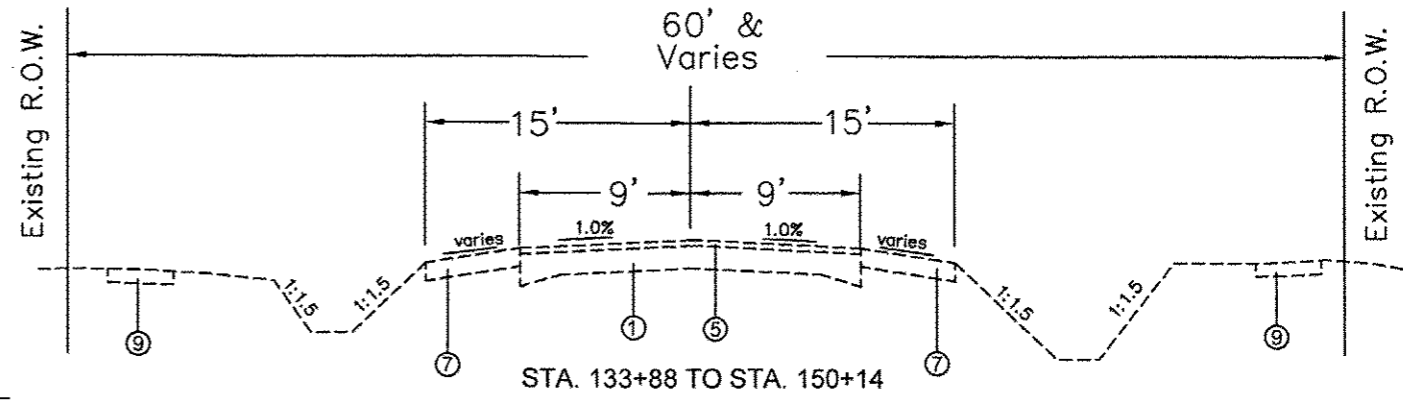
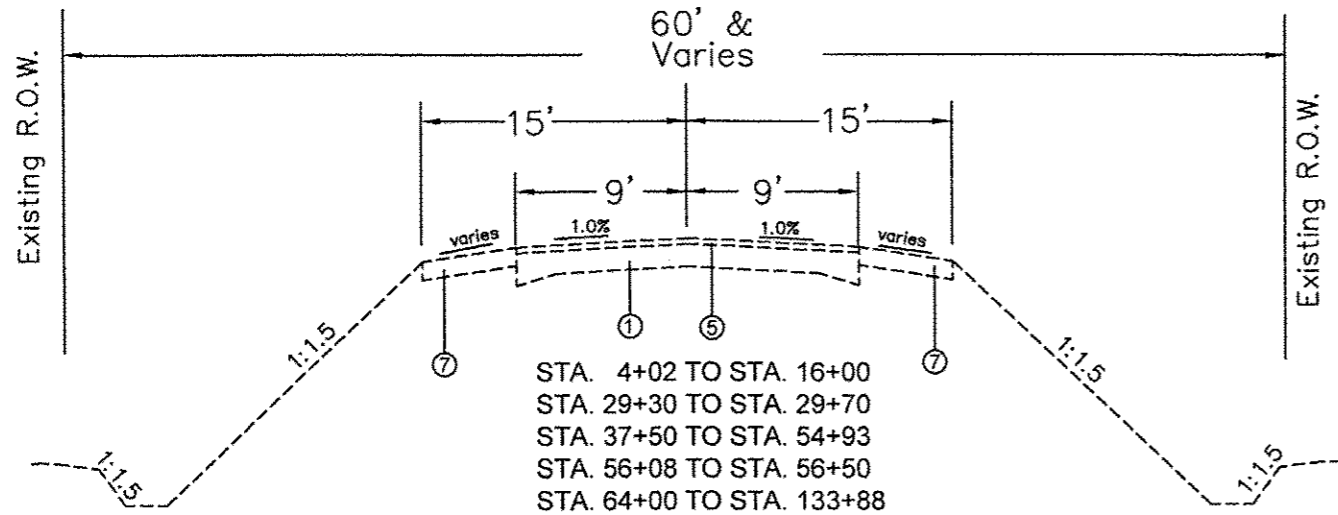


# EXISTING TYPICAL SECTIONS



- LEGEND**
- ① EXISTING 9"-6"-9" CONCRETE PAVEMENT
  - ② EXISTING PCC PVT. & BIT. BASE CSE. WIDENING
  - ③ EXISTING HMA WIDENING
  - ④ EXISTING HMA SURFACE COURSE
  - ⑤ EXISTING HMA RESURFACING 2"
  - ⑥ EXISTING HMA SHOULDERS, 6"
  - ⑦ EXISTING AGGREGATE / OIL & CHIP SHOULDER
  - ⑧ EXISTING CONCRETE GUTTER
  - ⑨ EXISTING CONCRETE SIDEWALK