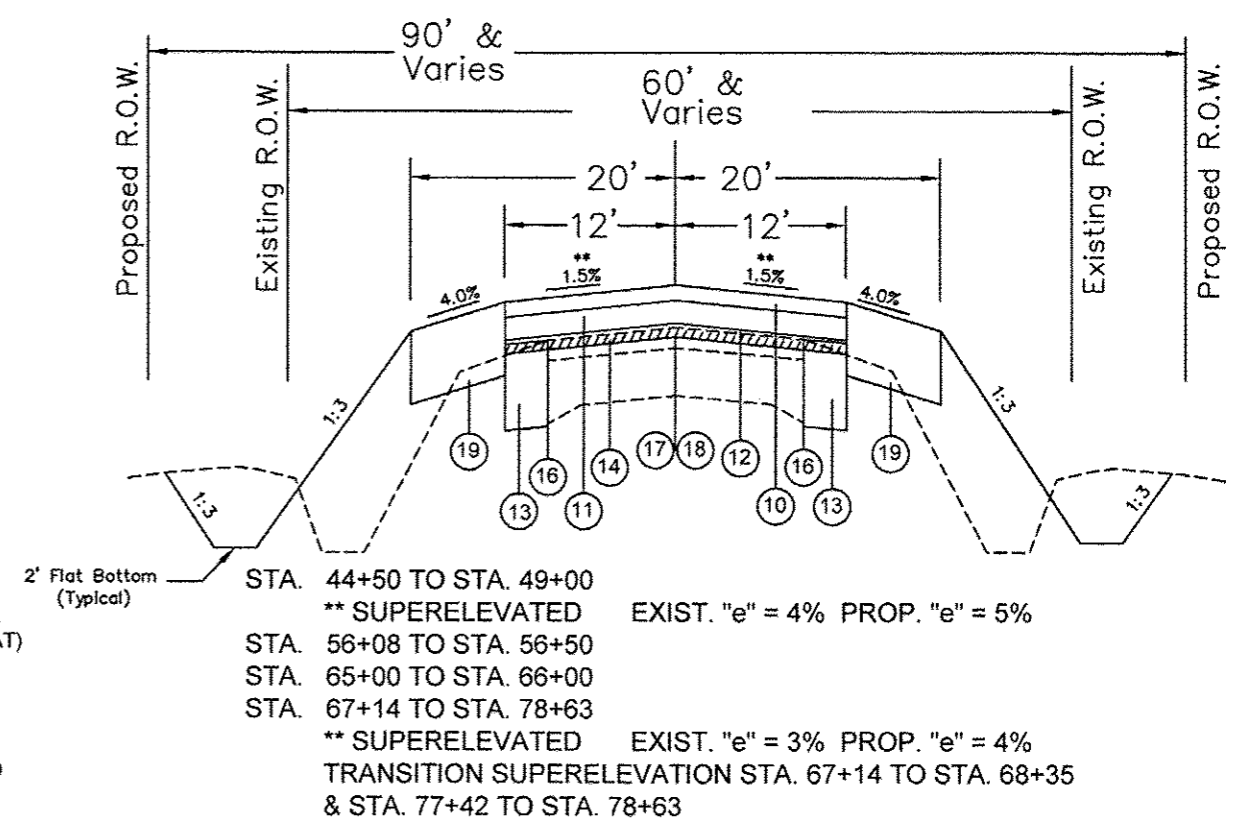
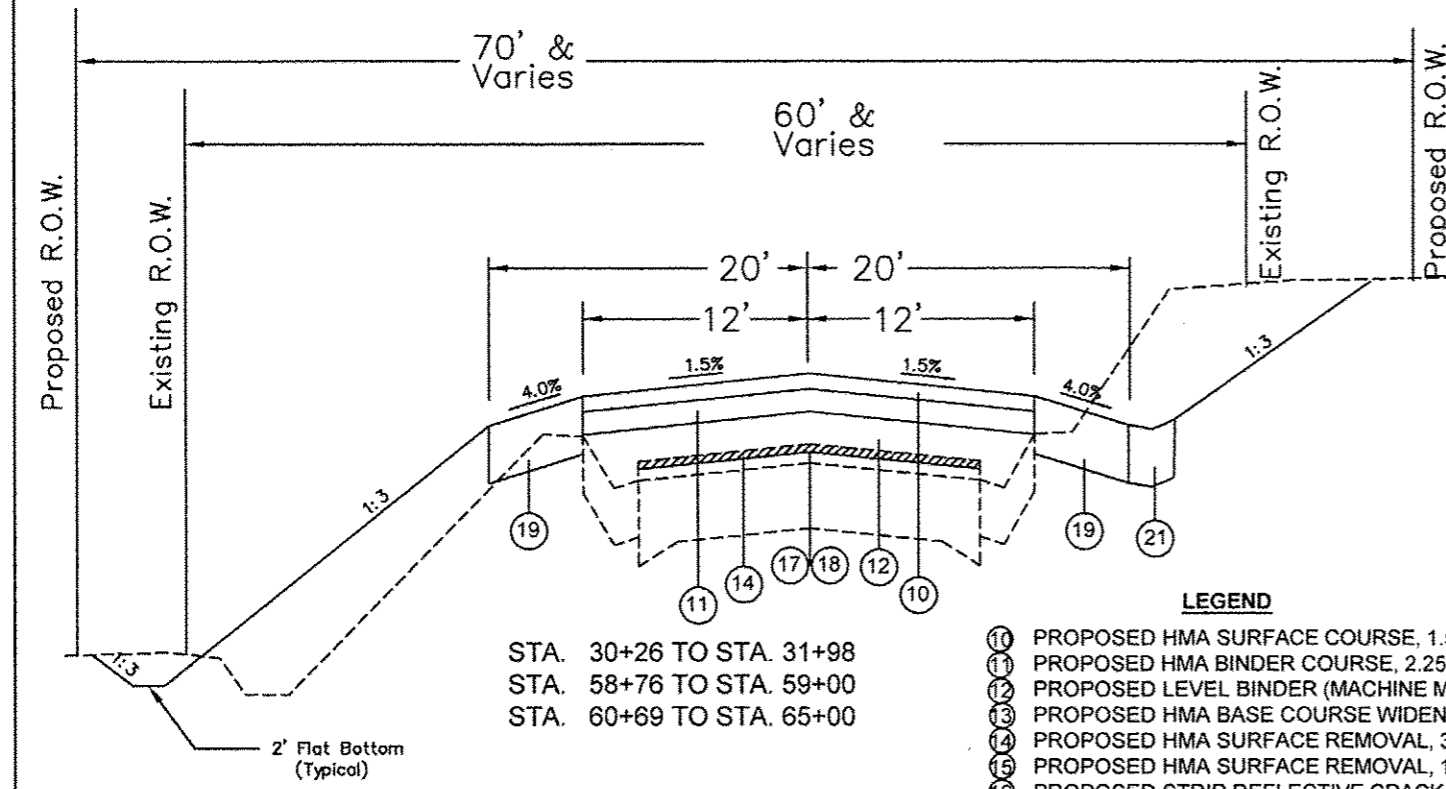
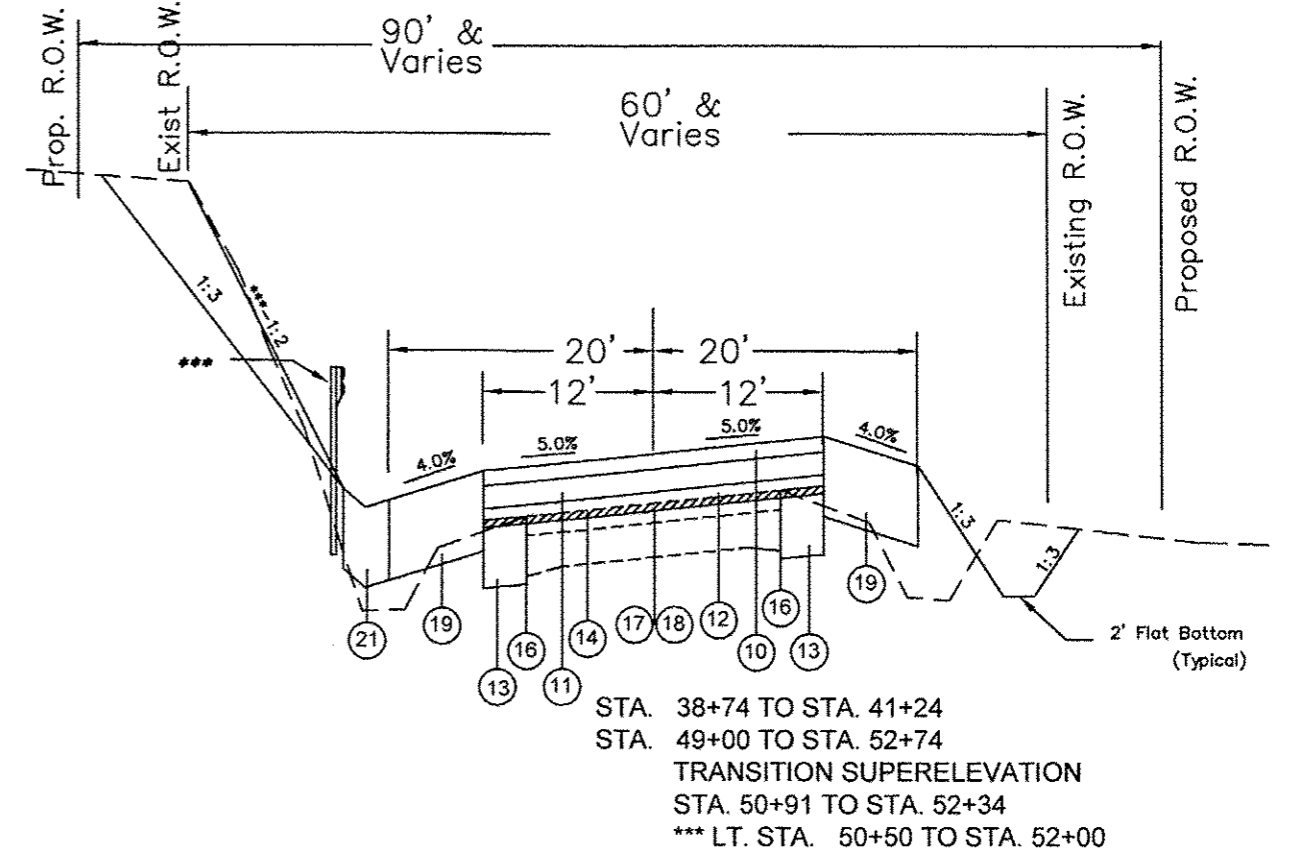
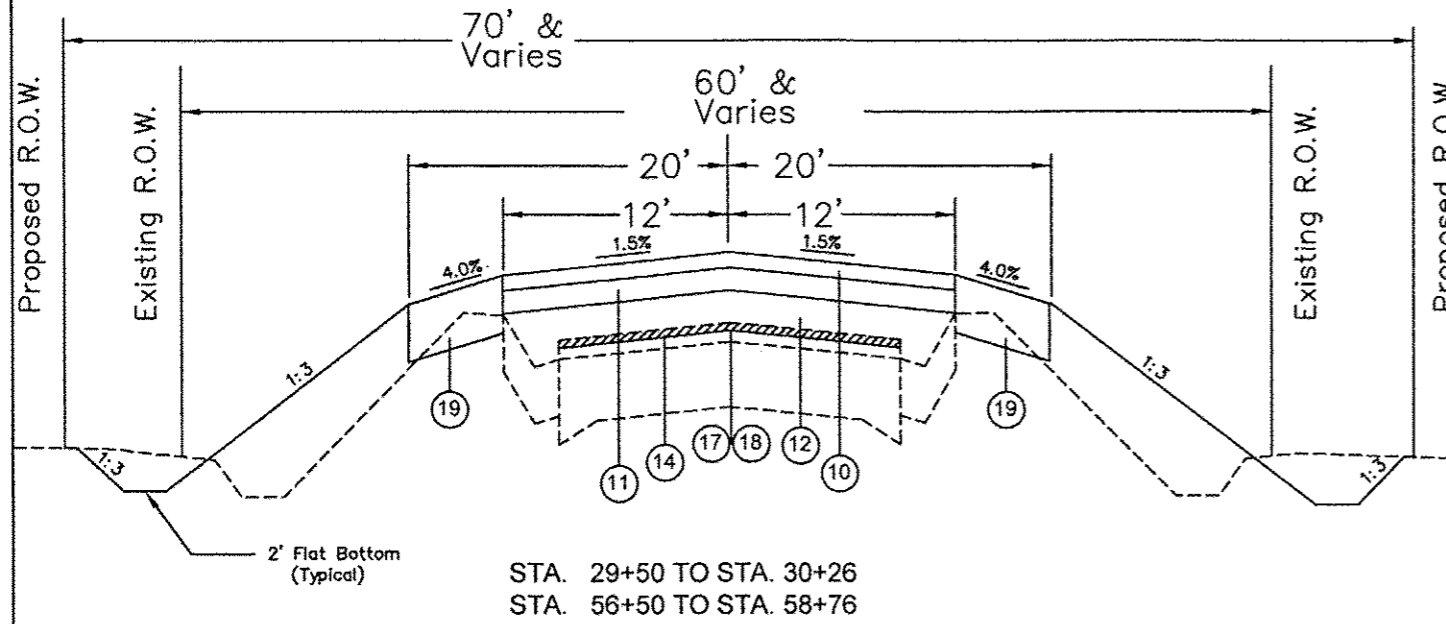


PROPOSED TYPICAL SECTIONS



LEGEND

- ⑩ PROPOSED HMA SURFACE COURSE, 1.5"
- ⑪ PROPOSED HMA BINDER COURSE, 2.25"
- ⑫ PROPOSED LEVEL BINDER (MACHINE METHOD)
- ⑬ PROPOSED HMA BASE COURSE WIDENING, 11"
- ⑭ PROPOSED HMA SURFACE REMOVAL, 3/4"
- ⑮ PROPOSED HMA SURFACE REMOVAL, 1.5"
- ⑯ PROPOSED STRIP REFLECTIVE CRACK CONTROL
- ⑰ PROPOSED BITUMINOUS MATERIALS (PRIME COAT)
- ⑱ PROPOSED AGGREGATE (PRIME COAT)
- ⑲ PROPOSED HMA SHOULDERS, 8"
- ⑳ PROPOSED HMA SHOULDERS, 1.5"
- ㉑ PROPOSED CONCRETE GUTTER, TYPE B
- ㉒ PROPOSED COMBINATION CONCRETE CURB AND GUTTER, TYPE B-6.24
- ㉓ PROPOSED CONCRETE SIDEWALK, 4"