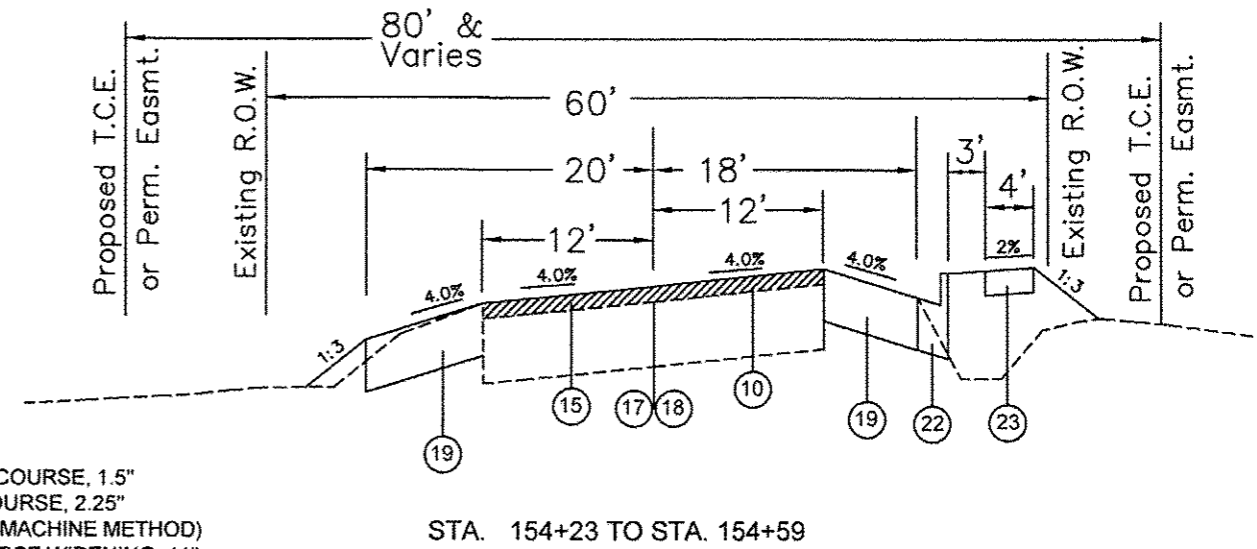
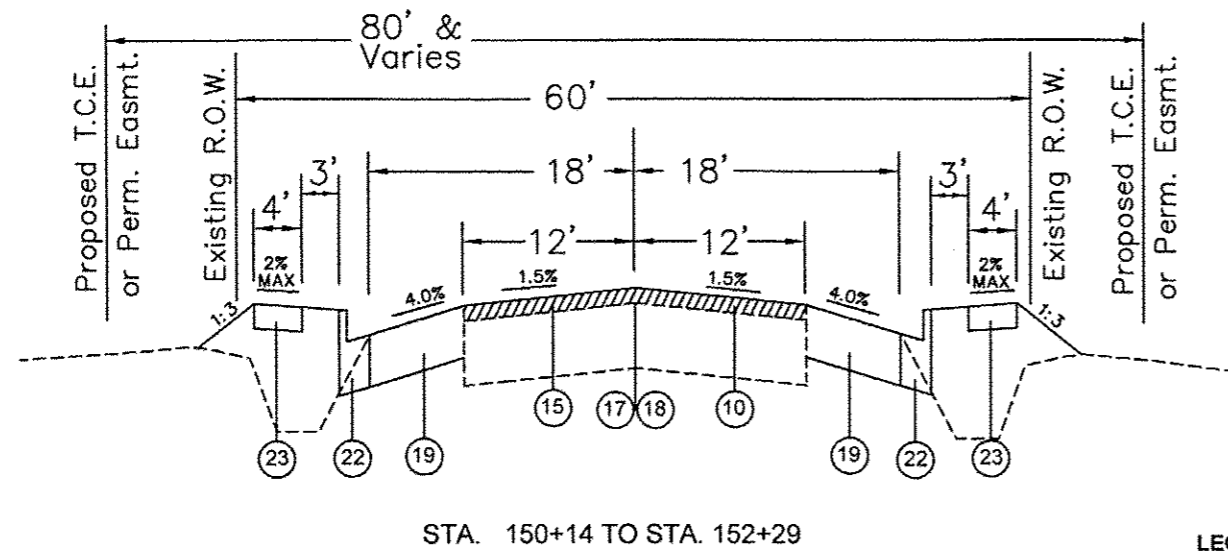
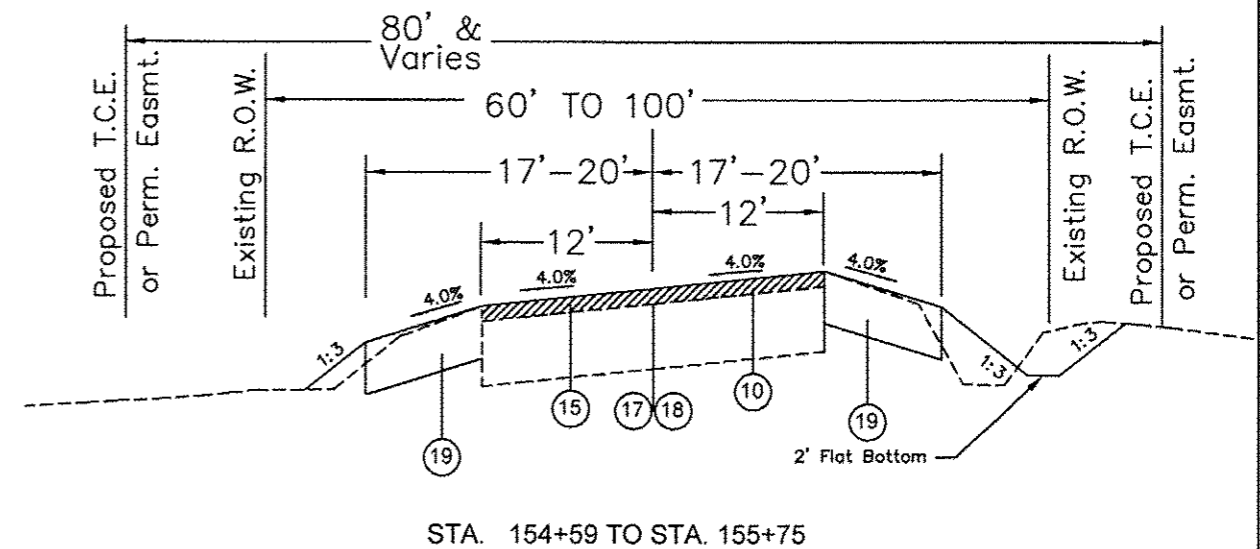
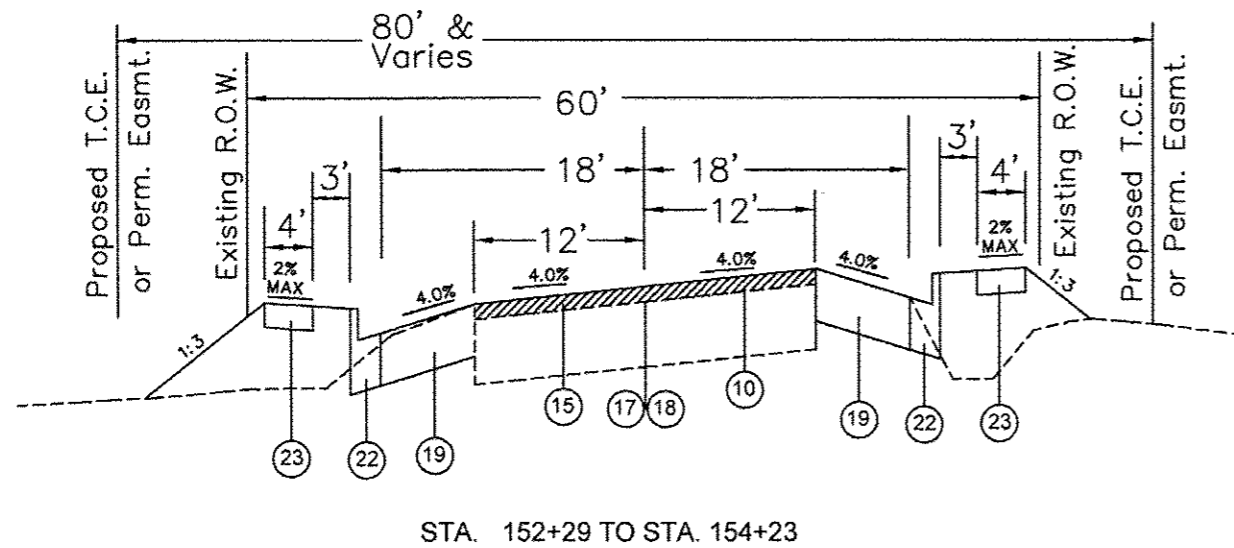


PROPOSED TYPICAL SECTIONS



- LEGEND**
- ⑩ PROPOSED HMA SURFACE COURSE, 1.5"
 - ⑪ PROPOSED HMA BINDER COURSE, 2.25"
 - ⑫ PROPOSED LEVEL BINDER (MACHINE METHOD)
 - ⑬ PROPOSED HMA BASE COURSE WIDENING, 11"
 - ⑭ PROPOSED HMA SURFACE REMOVAL, 3/4"
 - ⑮ PROPOSED HMA SURFACE REMOVAL, 1.5"
 - ⑯ PROPOSED STRIP REFLECTIVE CRACK CONTROL
 - ⑰ PROPOSED BITUMINOUS MATERIALS (PRIME COAT)
 - ⑱ PROPOSED AGGREGATE (PRIME COAT)
 - ⑲ PROPOSED HMA SHOULDERS, 8"
 - ⑳ PROPOSED HMA SHOULDERS, 1.5"
 - ㉑ PROPOSED CONCRETE GUTTER, TYPE B
 - ㉒ PROPOSED COMBINATION CONCRETE CURB AND GUTTER, TYPE B-6.24
 - ㉓ PROPOSED CONCRETE SIDEWALK, 4"



**STATE OF ILLINOIS
DEPARTMENT OF TRANSPORTATION**

TYPICAL SECTIONS

SCALE: SHEET NO. 5 OF 6 SHEETS

ROUTE NO. F.A.S. 2735	SECTION 03-00053-01-WR	COUNTY MADISON	TOTAL SHEETS 145	SHEET NO. 9
			CONTRACT NO. 97509	