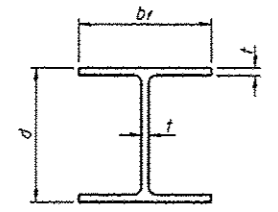


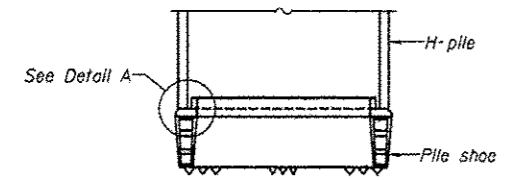
ROUTE	SECTION	COUNTY	TOTAL SHEETS	SHEET NO.
TR 272A	10-04119-00-BR	SALINE	12	11
PROJECT NO. BROS-165(35)			CONTRACT NO. 99479	



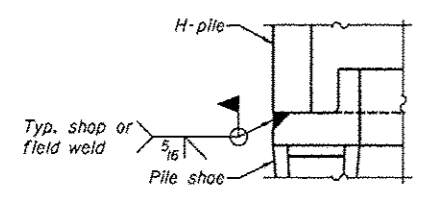
STEEL PILE TABLE

Designation	Depth d	Flange width bf	Web and Flange thickness t	Encasement diameter A	Encasement Quantity/Ft. C.Y.
HP 14x117	14 1/4"	14 7/8"	1 3/8"	30"	0.173
x102	14"	14 3/4"	1 1/8"	30"	0.174
x89	13 7/8"	14 3/4"	5/8"	30"	0.175
x73	13 5/8"	14 5/8"	1/2"	30"	0.176
HP 12x84	12 1/4"	12 1/4"	1 1/8"	24"	0.110
x74	12 1/8"	12 1/4"	5/8"	24"	0.111
x63	12"	12 1/8"	1/2"	24"	0.112
x53	11 3/4"	12"	7/16"	24"	0.112
HP 10x57	10"	10 1/4"	9/16"	24"	0.112
x42	9 3/4"	10 1/8"	7/16"	24"	0.113
HP 8x36	8"	8 1/8"	7/16"	18"	0.063

Note: The steel H-piles shall be according to AASHTO M270 Grade 50.

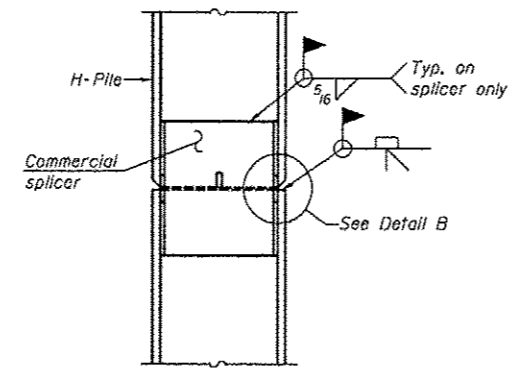


ELEVATION

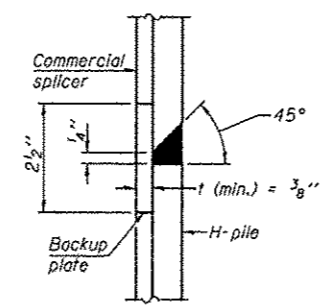


DETAIL A

H-PILE SHOE ATTACHMENT

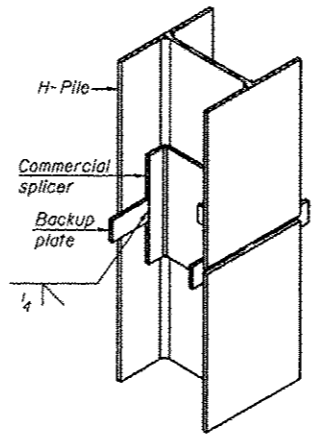


ELEVATION

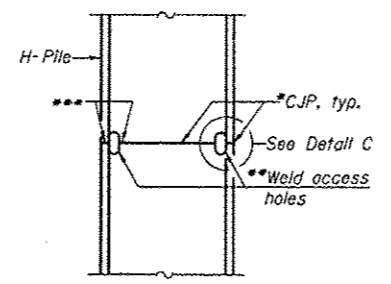


DETAIL "B"

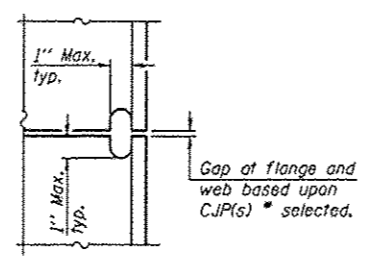
WELDED COMMERCIAL SPLICE



ISOMETRIC VIEW



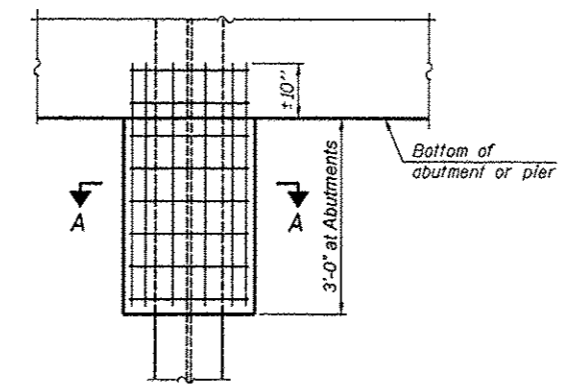
ELEVATION



DETAIL C

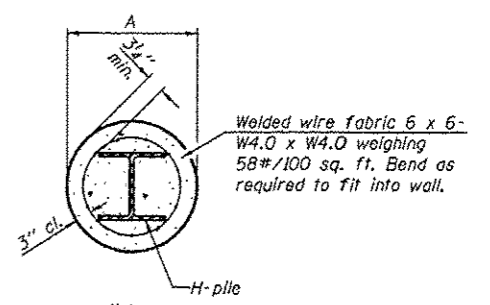
COMPLETE PENETRATION WELD SPLICE

*Use joint conforming to Figure 3.4 In AWS D1.1, Structure Welding Code - Steel.
 **Preparation per Fig. 5.2 In AWS D1.1, Structure Welding Code - Steel.
 ***Interrupt welds 1/4" from end of each pile.



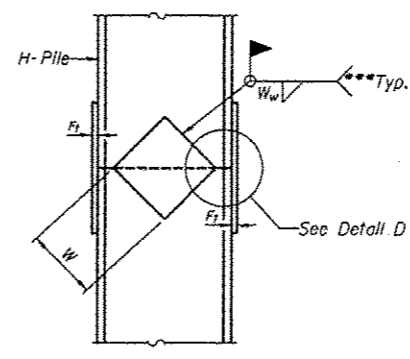
ELEVATION

PILE ENCASEMENT

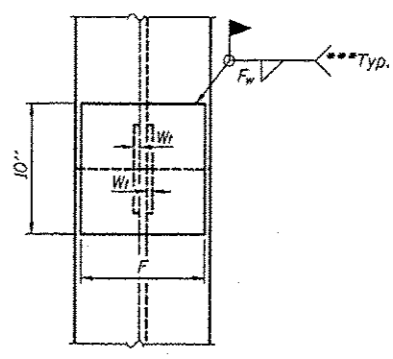


SECTION A-A

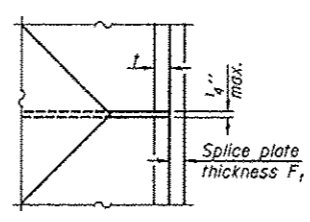
Note: Forms for encasement may be omitted when soil conditions permit.



ELEVATION



END VIEW



DETAIL D

WELDED PLATE FIELD SPLICE

Designation	F	F _t	F _w	W	W _t	W _w
HP 14x117	12 1/2"	1"	7/8"	7 3/4"	5 1/8"	1/2"
x102	12 1/2"	7/8"	3/4"	7 3/4"	5 1/8"	1/2"
x89	12 1/2"	3/4"	1/2"	7 3/4"	5 1/8"	1/2"
x73	12 1/2"	5/8"	9/16"	7 3/4"	5 1/8"	1/2"
HP 12x84	10"	7/8"	1 1/16"	6 1/2"	5 1/8"	1/2"
x74	10"	7/8"	1/2"	6 1/2"	5 1/8"	1/2"
x63	10"	5/8"	1/2"	6 1/2"	1/2"	3/8"
x53	10"	5/8"	1/2"	6 1/2"	1/2"	3/8"
HP 10x57	8"	3/4"	9/16"	5 1/4"	1/2"	3/8"
x42	8"	5/8"	9/16"	5 1/4"	1/2"	3/8"
HP 8x36	7"	5/8"	7/16"	4 1/4"	1/2"	3/8"

PILING DETAILS
 TOWNSHIP ROUTE 272A (LINDALE ROAD)
 SPOIL BANK DITCH
 SECTION 10-04119-00-BR
 SALINE COUNTY
 STRUCTURE 083-3242