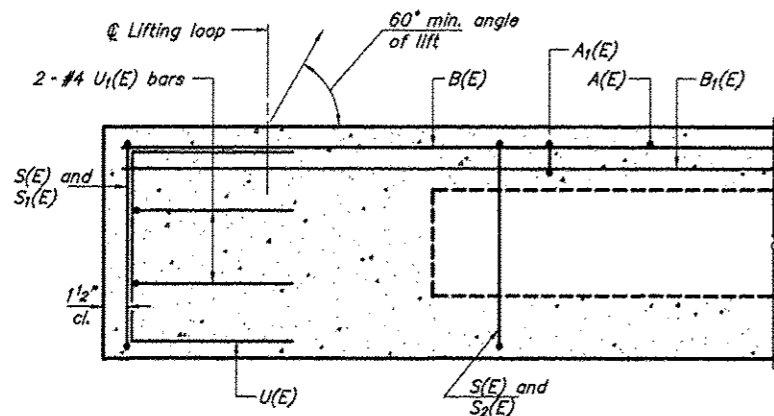
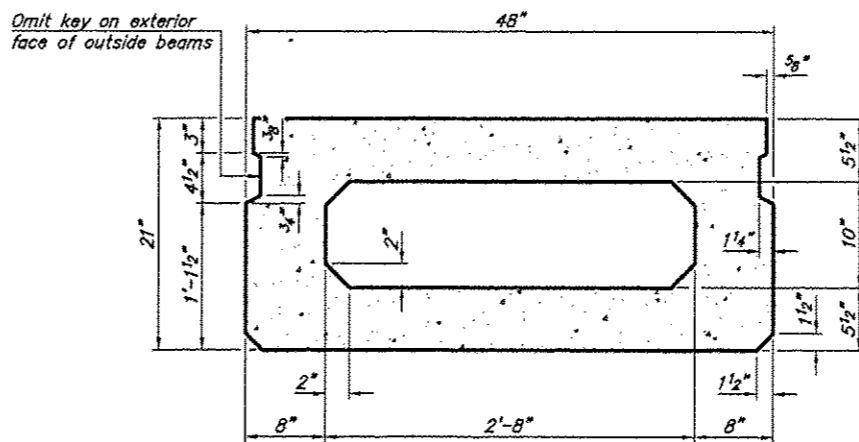


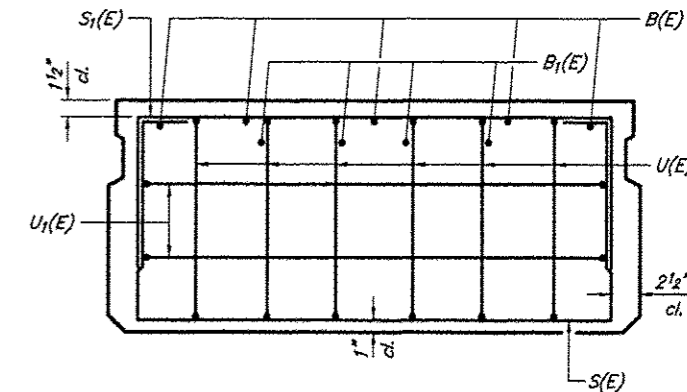
ROUTE	SECTION	COUNTY	TOTAL SHEETS	SHEET NO
TR 51	11-01200-00-BR	UNION	12	6
PROJECT NO. BROS-181(57)		CONTRACT NO. 99481		



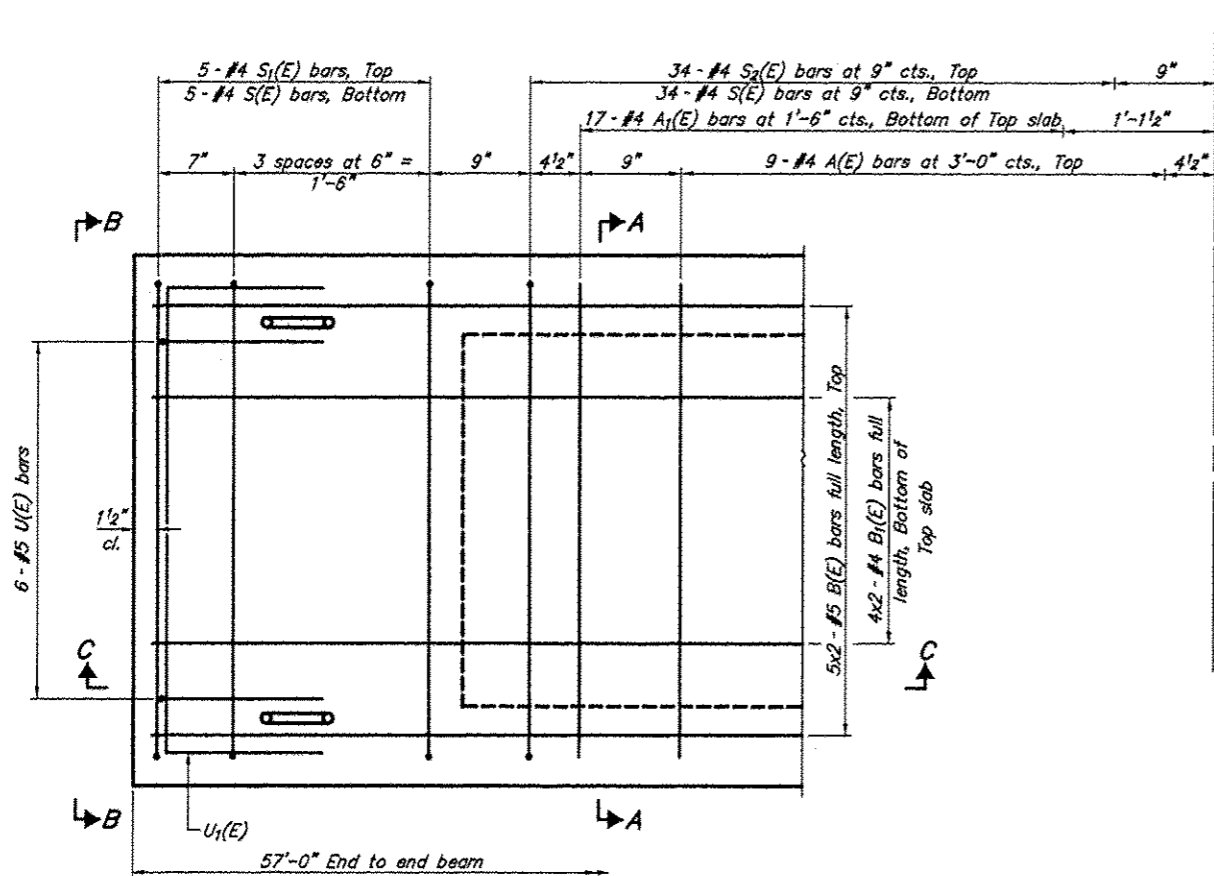
SECTION C-C



SECTION A-A
(Showing dimensions)

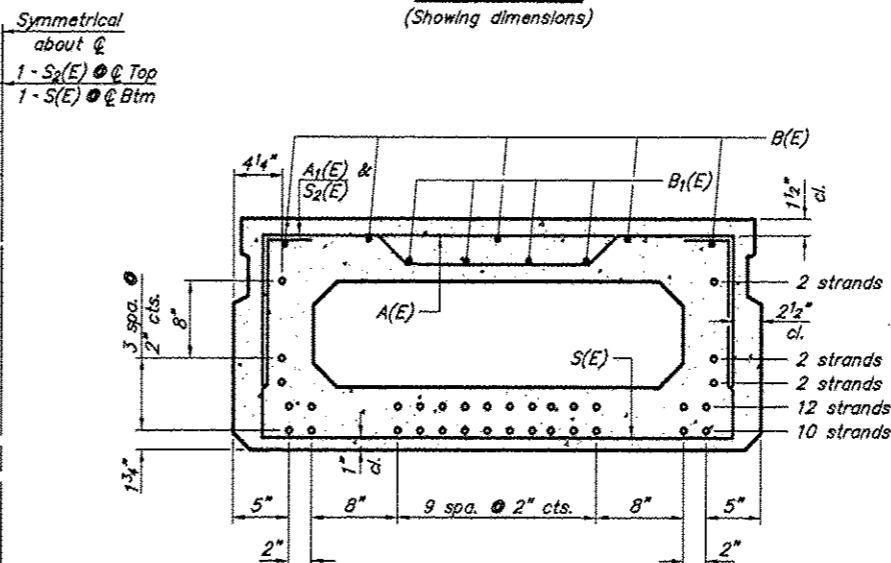


VIEW B-B



PLAN VIEW

Note: Spacing of S(E) and S₂(E) bars may be adjusted up to 4" in the immediate area of the transverse tie diaphragms to miss the block outs for the transverse ties.



SECTION A-A
(Showing reinforcement and permissible strand locations)

Note: Place the number of strands specified in each row symmetrically about the centerline of beam in the permissible strand locations shown.

BAR LIST
ONE BEAM ONLY
(For Information only)

Bar	No.	Size	Length	Shape
A(E)	18	#4	3'-7"	—
A ₁ (E)	34	#4	3'-10"	~
B(E)	10	#5	29'-5"	—
B ₁ (E)	8	#4	29'-2"	—
S(E)	79	#4	7'-5"	□
S ₁ (E)	10	#4	5'-11"	□
S ₂ (E)	69	#4	6'-2"	□
U(E)	12	#5	4'-0"	□
U ₁ (E)	4	#4	6'-0"	□

Bar Laps #4 bars = 1'-8"
#5 bars = 2'-2"

21" X 48" PPC DECK BEAM
TOWNSHIP ROUTE 51 (RHINE ROAD)
SEMINARY FORK
SECTION 11-01200-00-BR
UNION COUNTY
STRUCTURE NO. 091-3240