

STATE OF ILLINOIS
DEPARTMENT OF TRANSPORTATION

* 8 + 1 = 9 TOTAL SHEETS

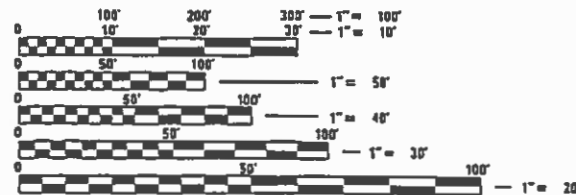
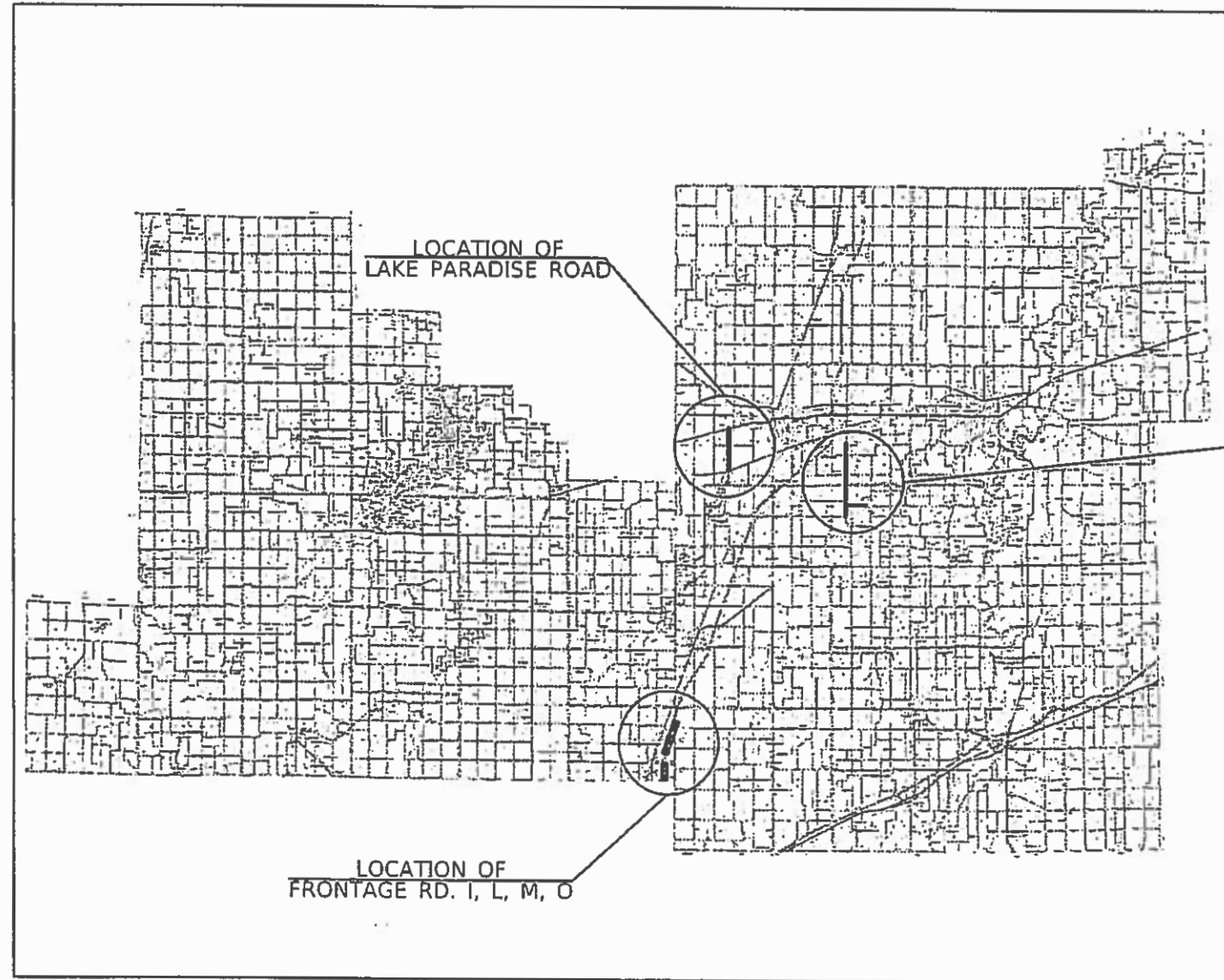
F.A.P. RTE.	SECTION	COUNTY	TOTAL SHEETS	SHEET NO.
VAR.	D7 SEAL COAT 2019-2	COLES/SHELBY	8	1
ILLINOIS			CONTRACT NO. 74889	

FOR INDEX OF SHEETS, SEE SHEET NO. 2

PROPOSED HIGHWAY PLANS

ROUTE VARIOUS
SECTION D7 SEAL COAT 2019-2
BITUMINOUS SURFACE TREATMENT
COLES/SHELBY COUNTY

C-97-013-19



FULL SIZE PLANS HAVE BEEN PREPARED USING STANDARD ENGINEERING SCALES. REDUCED SIZED PLANS WILL NOT CONFORM TO STANDARD SCALES. IN MAKING MEASUREMENTS ON REDUCED PLANS, THE ABOVE SCALES MAY BE USED.

J.U.L.I.E.
JOINT UTILITY LOCATION INFORMATION FOR EXCAVATION
1-800-892-0123
OR 811

PROJECT ENGINEER: TOM RONAN
PROJECT MANAGER: TOM RONAN
PHONE: (217) 342-8320
CONTRACT NO. 74889

STATE OF ILLINOIS
DEPARTMENT OF TRANSPORTATION

SUBMITTED October 12 20 18
Jeffrey M Southalis
REGIONAL ENGINEER

Dec 7 20 18
[Signature]
ENGINEER OF DESIGN AND ENVIRONMENT

Dec 7 20 18
[Signature]
DIRECTOR OF HIGHWAYS PROJECT IMPLEMENTATION

PRINTED BY THE AUTHORITY
OF THE STATE OF ILLINOIS

INDEX OF SHEETS

SHEET NO.	DESCRIPTION
1	TITLE SHEET
2	INDEX OF SHEETS, HIGHWAY STANDARDS, LOCATIONS, & GENERAL NOTES
3	SUMMARY OF QUANTITIES
4	SCHEDULES OF QUANTITIES
5-8	LOCATION MAPS
8A	TYPICAL RUMBLE STRIP APPLICATION

THE FOLLOWING STANDARDS ARE A PART OF THESE PLANS AND ARE INCLUDED FOLLOWING SHEET NUMBER 8:

701001-02	OFF ROAD, 2L 2W, 15' MINIMUM FROM EDGE OF PAVEMENT, FOR SPEEDS \geq 45 MPH
701006-05	OFF ROAD, 2L 2W, 15' AWAY TO EDGE OF PAVEMENT, FOR SPEEDS \geq 45 MPH
701011-04	OFF ROAD, 2L, 2W, MOVING OPERATIONS DAY ONLY, FOR SPEEDS \geq 45 MPH
701201-05	LANE CLOSURE, 2L, 2W, DAY ONLY, FOR SPEEDS \geq 45 MPH
701301-04	LANE CLOSURE, 2L, 2W, SHORT TIME OPERATIONS
701306-04	LANE CLOSURE, 2L, 2W, SLOW MOVING OPERATIONS DAY ONLY, FOR SPEEDS \geq 45 MPH
701311-03	LANE CLOSURE, 2L, 2W, MOVING OPERATIONS - DAY ONLY
701901-08	TRAFFIC CONTROL DEVICES

LOCATIONS

County	Location No.	Road	Location Description
Coles	1	Lake Paradise Road	Old State Road to Illinois Route 16
Coles	2	Lerna Road	Kickapoo Creek to CR 250 N.
Coles	3	Lerna Spur	Lerna Road to 1st Street in Lerna
Shelby	4	Frontage Rd. I	See Location Map In Plans
Shelby	5	Frontage Rd. L	See Location Map In Plans
Shelby	6	Frontage Rd. M	See Location Map In Plans
Shelby	7	Frontage Rd. O	See Location Map In Plans

GENERAL NOTES

THE PROPOSED WORK IS LOCATED AT 3 LOCATIONS IN COLES COUNTY AND 4 LOCATIONS IN SHELBY COUNTY.
 THE WORK IN THIS SECTION CONSISTS OF POTHOLE PATCHING, PREPARATION OF BASE, CONSTRUCTION OF SEAL COAT FOR BITUMINOUS SURFACE TREATMENT CLASS A-2, PAVEMENT MARKING, TRAFFIC CONTROL, AND ANY OTHER WORK NECESSARY TO COMPLETE THIS SECTION PER THE STANDARD SPECIFICATIONS.

AN ESTIMATED QUANTITY OF HOT-MIX-ASPHALT FOR PATCHING POTHOLES (COLD MIX) HAS BEEN INCLUDED FOR ANY NECESSARY POTHOLE PATCHING. THE QUANTITY AND LOCATIONS OF POTHOLE PATCHING WILL BE DETERMINED BY THE RESIDENT IN THE FIELD.

THE MATERIAL USED FOR SEAL COAT AGGREGATE SHALL BE CA-16 CRUSHED STONE.

IN ADDITION TO THE REQUIREMENTS OF SECTION 403 OF THE STANDARD SPECIFICATIONS, THE CONTRACTOR WILL BE REQUIRED TO APPLY A FOG COAT OF POLYMERIZED BITUMINOUS MATERIALS (COVER AND SEAL COAT) AFTER PLACEMENT OF THE SEAL COAT AGGREGATE AT LOCATION 1 (LAKE PARADISE ROAD).

THE QUANTITY FOR PAINT PAVEMENT MARKING LINE 4" CONSISTS OF 47,403 FEET WHITE AND 11,513 YELLOW. THE QUANTITY FOR THERMOPLASTIC PAVEMENT MARKING LINE 4" CONSISTS OF 600 FEET OF YELLOW. THE QUANTITY FOR THERMOPLASTIC PAVEMENT MARKING LINE 24" CONSISTS OF 126 FEET OF WHITE. THE QUANTITY FOR THERMOPLASTIC PAVEMENT MARKING LETTERS AND SYMBOLS CONSISTS OF 123 SQUARE FEET OF WHITE. THE QUANTITY FOR SHORT-TERM PAVEMENT MARKING CONSISTS OF 3,697 FEET. THE QUANTITY FOR PAINT PAVEMENT MARKING LINE 4" ALLOWS FOR A SECOND APPLICATION AFTER A CURE TIME OF 30 CALENDAR DAYS FOR THE FIRST APPLICATION.

SHORT-TERM PAVEMENT MARKING SHALL BE APPLIED AFTER COMPLETION OF THE BITUMINOUS MATERIALS (PRIME COAT), COVER COAT AGGREGATE, AND SEAL COAT AGGREGATE. SHORT-TERM PAVEMENT MARKING SHALL BE PAINT AND CONSIST OF A 4' LONG CENTERLINE SKIP DASHES EVERY 40'. THE FINAL PERMANENT PAVEMENT MARKING SHALL BE APPLIED DIRECTLY OVER THE SHORT-TERM PAVEMENT MARKING.

RAISED REFLECTIVE PAVEMENT MARKERS, SURVEY MONUMENT VALUTS, AND SURVEY TABLETS SHALL BE KEPT FREE OF THE BITUMINOUS SURFACE TREATMENT. SURVEY MONUMENT VAULTS SHALL BE PROTECTED BY COVERING THEM WITH A MINIMUM OF 8" x 8" OF TAPE. SURVEY TABLETS SHALL BE PROTECTED BY COVERING THEM WITH A MINIMUM OF 4" x 4" OF TAPE. THE REFLECTOR LENS OF THE EXISTING RAISED REFLECTIVE PAVEMENT MARKERS SHALL BE PROTECTED BY COVERING THEM WITH A MINIMUM OF 3" x 4" OF TAPE. IT IS THE INTENT OF THE DEPARTMENT THAT THE REMAINING PORTION OF THE RAISED REFLECTIVE PAVEMENT MARKER CASTING NOT COVERED BY TAPE SHALL BE COATED WITH THE BITUMINOUS SURFACE TREATMENT TO HELP SEAL THE RAISED REFLECTIVE PAVEMENT MARKERS IN PLACE. THE COST TO COVER AND REMOVE THE TAPE FROM THE RAISED REFLECTIVE PAVEMENT MARKERS, SURVEY MONUMENT VAULTS, AND SURVEY TABLETS WILL BE INCLUDED IN THE COST OF THE BITUMINOUS SURFACE TREATMENT.

REQUIRED RATES OF APPLICATION:

BITUMINOUS MATERIALS (PRIME COAT)	0.35 GALLONS / SQ. YD.
POLYMERIZED BIT. MATERIALS (COVER & SEAL COAT)	0.35 GALLONS / SQ. YD.
POLYMERIZED BIT. MATERIALS (COVER & SEAL COAT) (FOG COAT)	0.05 POUNDS / SQ. FT.
SEAL COAT AGGREGATE	25 LBS. / SQ. YD.
COVER COAT AGGREGATE	25 LBS. / SQ. YD.

REV. - MS

**STATE OF ILLINOIS
DEPARTMENT OF TRANSPORTATION**

**INDEX OF SHEETS, HIGHWAY STANDARDS,
LOCATIONS, & GENERAL NOTES**

SCALE: SHEET OF SHEETS STA. TO STA.

F.A.P. RTE.	SECTION	COUNTY	TOTAL SHEETS	SHEET NO.
VAR.	D7 SEAL COAT 2019-2	COLES/SHELBY	8	2
CONTRACT NO. 74889				
ILLINOIS			FED. AID PROJECT	

CODE NO.	ITEM	UNIT	TOTAL QUANTITY	CONSTRUCTION CODE	
				0005 COLES CO.	0005 SHELBY CO.
			100% STATE		
35800100	PREPARATION OF BASE	SQ YD	9700	0	9700
40300200	BITUMINOUS MATERIALS (PRIME COAT)	TON	42	0	42
40300405	POLYMERIZED BITUMINOUS MATERIALS (COVERS AND SEAL COATS)	TON	380	296	84
40300500	COVER COAT AGGREGATE	TON	1572	1219	353
40300600	SEAL COAT AGGREGATE	TON	1572	1219	353
67100100	MOBILIZATION	L SUM	1	0.75	0.25
70100450	TRAFFIC CONTROL AND PROTECTION, STANDARD 701201	L SUM	1	0.75	0.25
70100460	TRAFFIC CONTROL AND PROTECTION, STANDARD 701306	L SUM	1	0.75	0.25
70300100	SHORT TERM PAVEMENT MARKING	FOOT	11888	11888	0
* 78000100	THERMOPLASTIC PAVEMENT MARKING - LETTERS AND SYMBOLS	SQ FT	123	123	0
* 78000200	THERMOPLASTIC PAVEMENT MARKING - LINE 4"	FOOT	600	600	0
* 78000650	THERMOPLASTIC PAVEMENT MARKING - LINE 24"	FOOT	126	126	0
Z0055500	RUMBLE STRIP	SQ FT	806	806	0

* SPECIALTY ITEM

REV. - MS

MODEL: Default
FILE NAME: P:\110848E\BID\NTEC\Illinois.gov\PWD\DOT\Documents\DOT_Offices\District 7\Projects\74889\CADD\data\CAD\sheet\74889-sh-500.dgn

USER NAME = steffemk	DESIGNED -	REVISED -
	DRAWN -	REVISED -
PLOT SCALE = 100.0000' / in.	CHECKED -	REVISED -
PLOT DATE = 10/15/2018	DATE -	REVISED -

**STATE OF ILLINOIS
DEPARTMENT OF TRANSPORTATION**

SUMMARY OF QUANTITIES

SCALE: SHEET OF SHEETS STA. TO STA.

F.A.P. RTE.	SECTION	COUNTY	TOTAL SHEETS	SHEET NO.
VAR.	D7 SEAL COAT 2019-2	COLES/SHELBY	8	3
			CONTRACT NO. 74889	
ILLINOIS FED. AID PROJECT				

RESURFACING & PAVEMENT MARKING SCHEDULE													
COLES COUNTY SCHEDULE		LENGTH	LANE WIDTH	POLYMERIZED BITUMINOUS MATERIALS (COVERS AND SEAL COAT)	COVER COAT AGGREGATE	SEAL COAT AGGREGATE	SHORT TERM PAVEMENT MARKING	PAINT PAVEMENT MARKING - LINE 4"	THERMOPLASTIC PAVEMENT MARKING - LINE 4"	THERMOPLASTIC PAVEMENT MARKING - LINE 24"	THERMOPLASTIC PAVEMENT MARKING - LETTERS & SYMBOLS	HOT-MIX ASPHALT FOR PATCHING POTHOLES (COLD MIX)	RUMBLE STRIP
STATION TO STATION	FEET	FEET	TON	TON	TON	FOOT	FOOT	FOOT	FOOT	SQ FT	TON	SQ FT	
LAKE PARADISE ROAD													
0+00	8+50	850	33	10	39	39	255	5525					
8+50	9+56	106	21.5	1	3	3	32	686					
9+56	43+88	3432	21.5	26	102	102	1030	15444					
43+88	44+35	48	21.5	0	1	1	14	24					
44+35	69+33	2497	21.5	19	75	75	749	11238					
69+33	78+36	903	21.5	7	27	27	271	5869					
78+36	86+75	840	21.5	6	25	25	252	7136					
86+75	88+76	201	21.5	2	6	6	60	1304					
88+76	114+73	2598	21.5	20	78	78	779	11690					
LAKE PARADISE ROAD TOTALS		11473		91	356	356	3442	58916				10	806
LERNA ROAD													
32+74	50+05	850	22	13	53	53	519	7790					
50+05	57+97	792	22	6	24	24	238	5148					
57+97	63+36	539	22	4	16	16	162	1346					
63+36	69+96	660	22	5	20	20	198	4290					
69+96	111+30	4134	22	30	126	126	1240	18604					
111+30	112+04	74	22	1	2	2	22	37					
112+04	229+79	11774	22	85	360	360	3532	52985					
229+79	242+04	1225	22	9	37	37	367	7962					
LERNA ROAD TOTALS		20048		152	639	639	6279	97642				5	
LERNA SPUR													
0+00	39+39	3939	24	31	131	131	1182	17726					
39+39	50+16	1077	24	7	31	31	323	539					
50+16	53+22	306	24	2	9	9	92	766	600	126	123		
53+22	57+02	380	24	3	11	11	114	190					
5702.4	7223.04	1521	24	10	40	40	456	760					
LERNA SPUR TOTALS		7223		53	223	223	2167	19980	600	126	123	3	
COLES COUNTY TOTALS				296	1219	1219	11888	176538	600	126	123	18	806

SURFACE TREATMENT SCHEDULE										
SHELBY COUNTY SCHEDULE		LENGTH	LANE WIDTH	BITUMINOUS MATERIALS (PRIME COAT)	POLYMERIZED BITUMINOUS MATERIALS (COVERS AND SEAL COATS)	COVER COAT AGGREGATE	SEAL COAT AGGREGATE	PREPARATION OF BASE	HOT-MIX ASPHALT FOR PATCHING POTHOLES (COLD MIX)	
FRONTAGE ROAD	STATION TO STATION	FEET	FEET	TON	TON	TON	TON	SQ YD	TON	
I	0+00	8+45	845	15	2	4	18	18	1100	1
L	0+00	8+45	845	15	2.1	4	18	18	3400	3
M	0+00	43+82	4382	15	11	22	91	91	200	1
O	0+00	108+87	10887	15	26.9	54	227	227	5000	5
TOTALS		16959		42	84	353	353	9700	10	

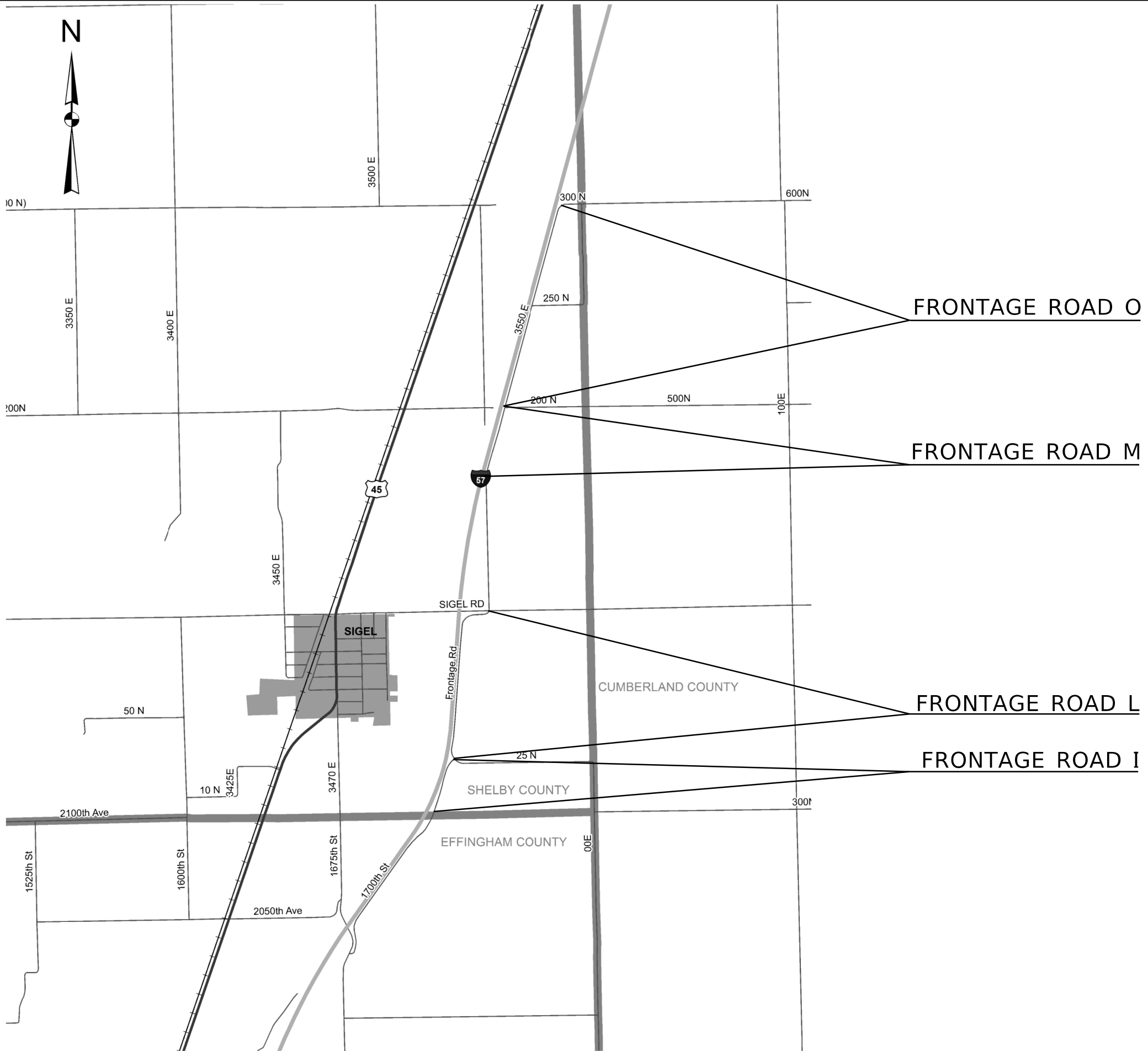
MODEL: Default
FILE NAME: P:\ILLINOIS\BID\BIDDING\Illinois.gov\PIWDOT\Documents\DOT_Offices\Director_7\Projects\74889\CADD\Bids\CAD\Bids\PC-Schedule.dgn

USER NAME = steffenmk	DESIGNED -	REVISED -
PLOT SCALE = 100,0000' / in.	DRAWN -	REVISED -
PLOT DATE = 10/15/2018	CHECKED -	REVISED -
	DATE -	REVISED -

**STATE OF ILLINOIS
DEPARTMENT OF TRANSPORTATION**

SUMMARY OF SCHEDULES			
SCALE:	SHEET	OF SHEETS	STA. TO STA.

F.A.P. RTE.	SECTION	COUNTY	TOTAL SHEETS	SHEET NO.
VAR.	D4 SEAL COAT 2019-2	COLES/SHELBY	8	4
CONTRACT NO. 74889				
ILLINOIS		FED. AID PROJECT		



MODEL: Default
 FILE: \\mapscg-pw01\B&E\BIDD\ITEC\Illinois\gov\PW\DOT\Documents\BIDD\Office\BIDD\ref\74889\CADD\B&E\74889-PL-Drawn.dgn

USER NAME = steffemk	DESIGNED -	REVISED -
	DRAWN -	REVISED -
PLOT SCALE = 100,0000' / in.	CHECKED -	REVISED -
PLOT DATE = 10/15/2018	DATE -	REVISED -

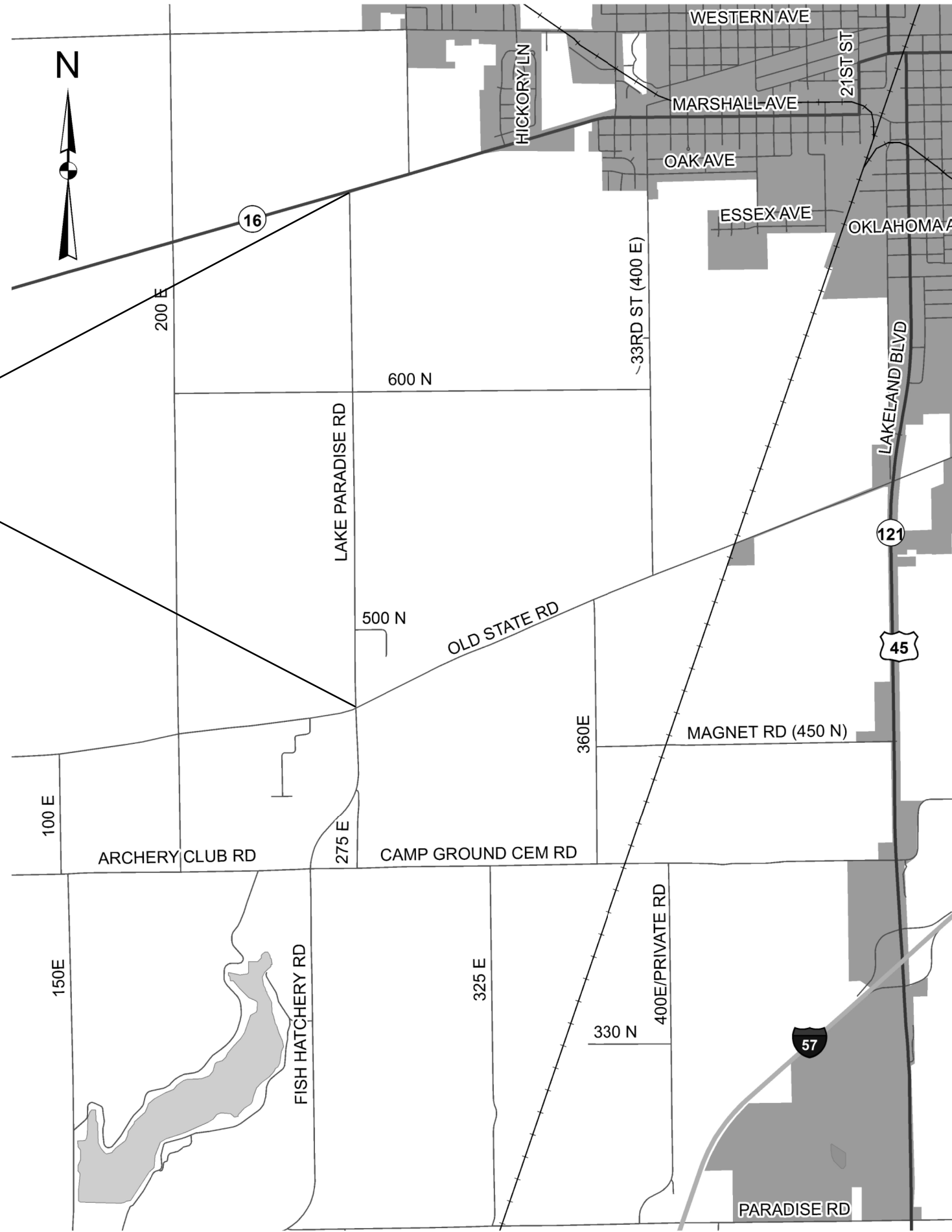
STATE OF ILLINOIS
DEPARTMENT OF TRANSPORTATION

SHELBY COUNTY LOCATION MAP

SCALE: SHEET OF SHEETS STA. TO STA.

F.A.P. RTE.	SECTION	COUNTY	TOTAL SHEETS	SHEET NO.
VAR.	D7 SEAL COAT 2019-2	COLES/SHELBY	8	5
CONTRACT NO. 74889				
ILLINOIS FED. AID PROJECT				

LOCATION #1



MODEL: Default
 FILE NAME: P:\IL08\B&E\BID\NTEC\Illinois.gov\FWIDOT\Documents\BIDD\Office\BID\refct 7\Project\74889\CADD\BIDD\CAD\BIDD\74889-PC-Detail.dgn

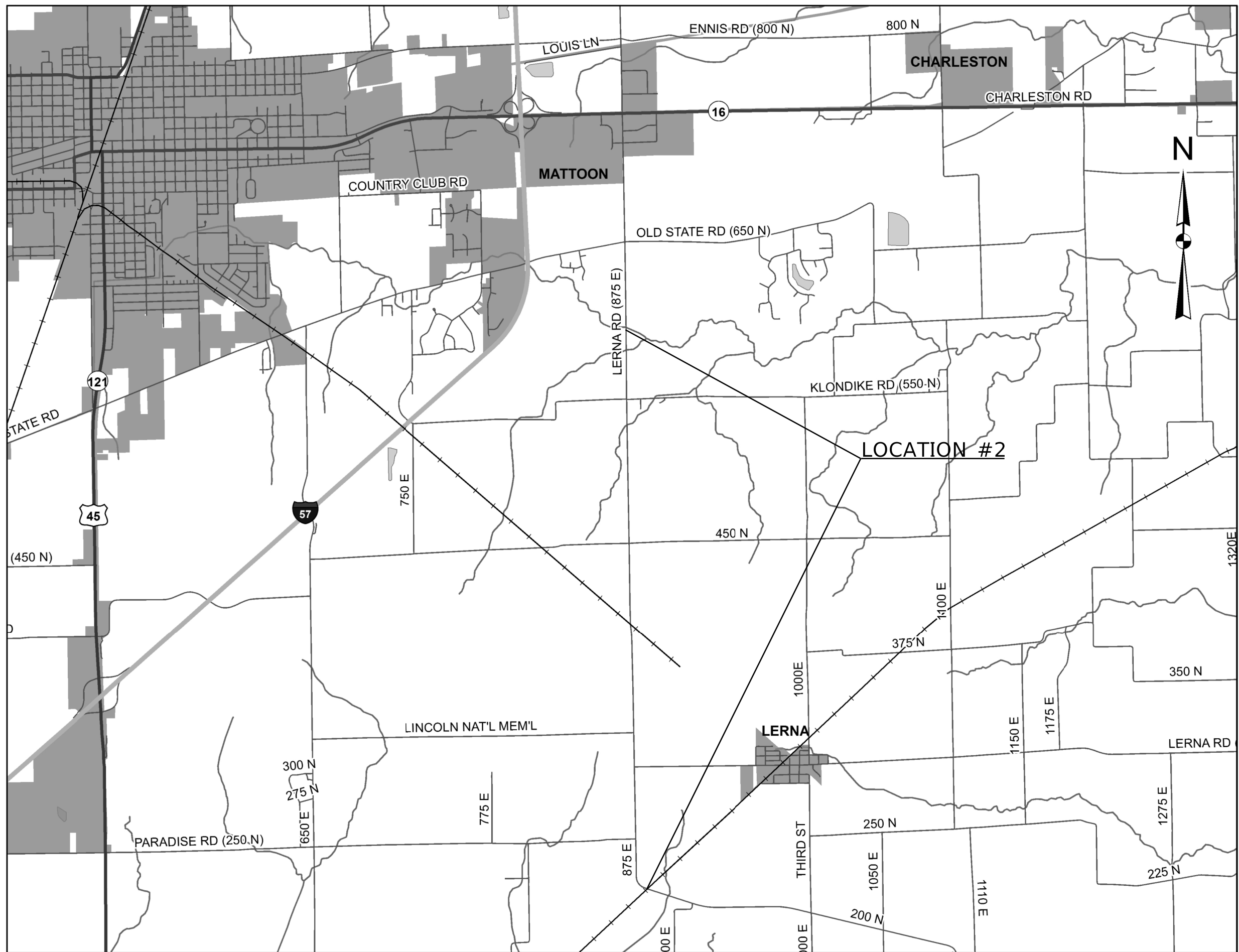
USER NAME = steffenmk	DESIGNED -	REVISED -
	DRAWN -	REVISED -
PLOT SCALE = 100,0000' / in.	CHECKED -	REVISED -
PLOT DATE = 10/15/2018	DATE -	REVISED -

**STATE OF ILLINOIS
DEPARTMENT OF TRANSPORTATION**

COLES COUNTY LOCATION MAP

SCALE: SHEET OF SHEETS STA. TO STA.

F.A.P. RTE.	SECTION	COUNTY	TOTAL SHEETS	SHEET NO.
VAR.	D7 SEAL COAT 2019-2	COLES/SHELBY	8	6
CONTRACT NO. 74889				
ILLINOIS		FED. AID PROJECT		



MODEL: Default
 FILE NAME: P:\ILLINOIS\BID\NITEC\Illinois.gov\FWIDOT\Documents\DOT_Offices\Director\Projects\74889\CADD\data\CADD\sheet\74889-PC-draw1.dgn

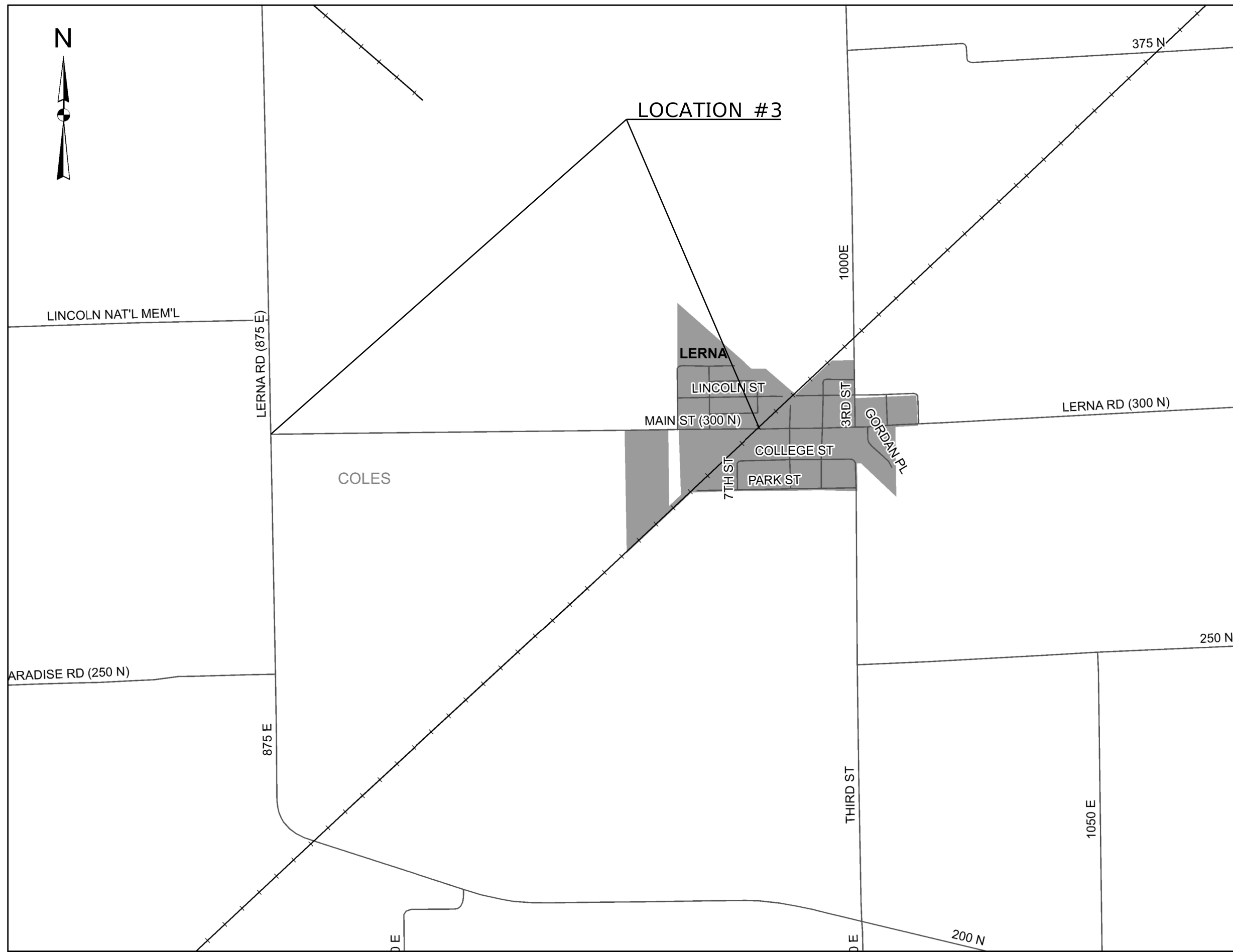
USER NAME = steffemk	DESIGNED -	REVISED -
	DRAWN -	REVISED -
PLOT SCALE = 100,0000' / in.	CHECKED -	REVISED -
PLOT DATE = 10/15/2018	DATE -	REVISED -

STATE OF ILLINOIS
DEPARTMENT OF TRANSPORTATION

COLES COUNTY LOCATION MAP

SCALE: SHEET OF SHEETS STA. TO STA.

F.A.P. RTE.	SECTION	COUNTY	TOTAL SHEETS	SHEET NO.
VAR.	D7 SEAL COAT 2019-2	COLES/SHELBY	8	7
CONTRACT NO. 74889				
ILLINOIS		FED. AID PROJECT		



MODEL: Default
 FILE NAME: P:\IL08\B&E\BIDD\ITEC\Illinois\gov\PI\DOT\Documents\DOT_Offices\Director\74889\CADD\data\CAD\pkcs174889-pl-draw.plt.dgn

USER NAME = steffemk	DESIGNED -	REVISED -
	DRAWN -	REVISED -
PLOT SCALE = 100,0000' / in.	CHECKED -	REVISED -
PLOT DATE = 10/15/2018	DATE -	REVISED -

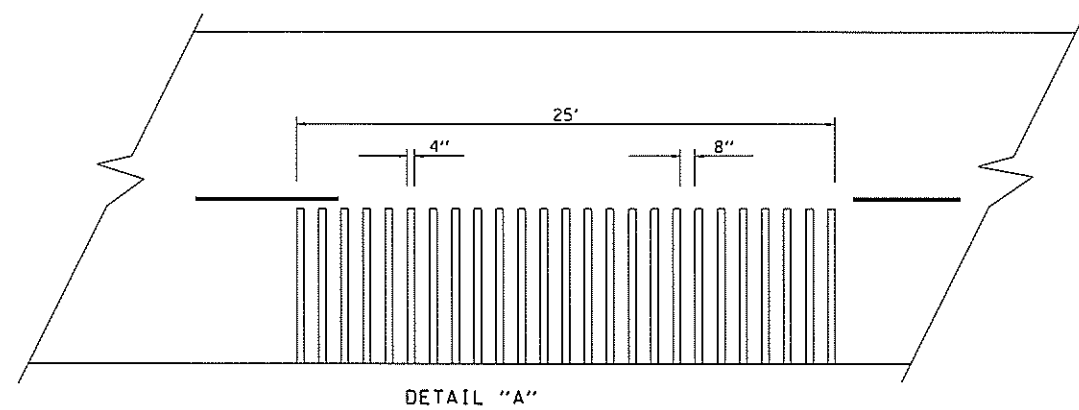
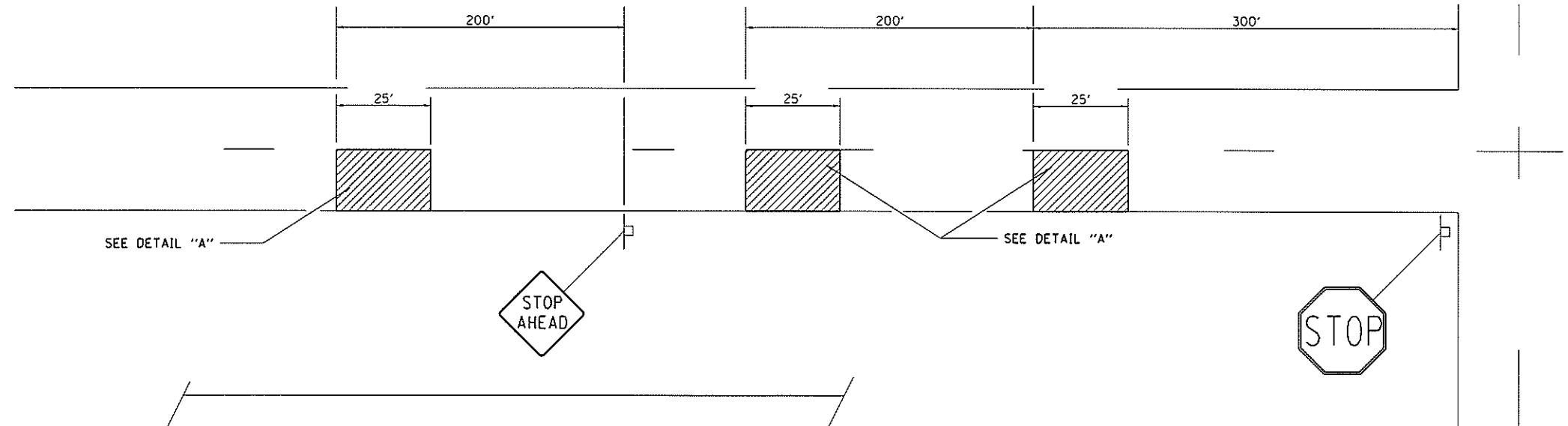
STATE OF ILLINOIS
DEPARTMENT OF TRANSPORTATION

COLES COUNTY LOCATION MAP

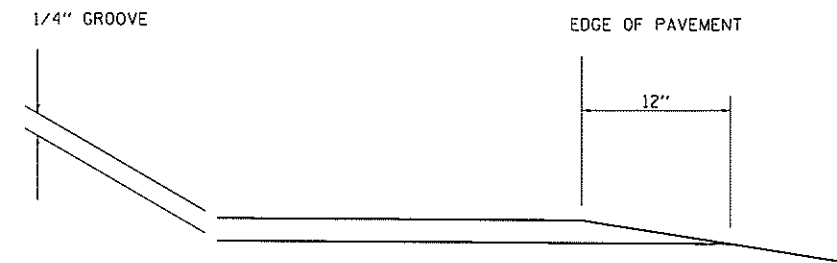
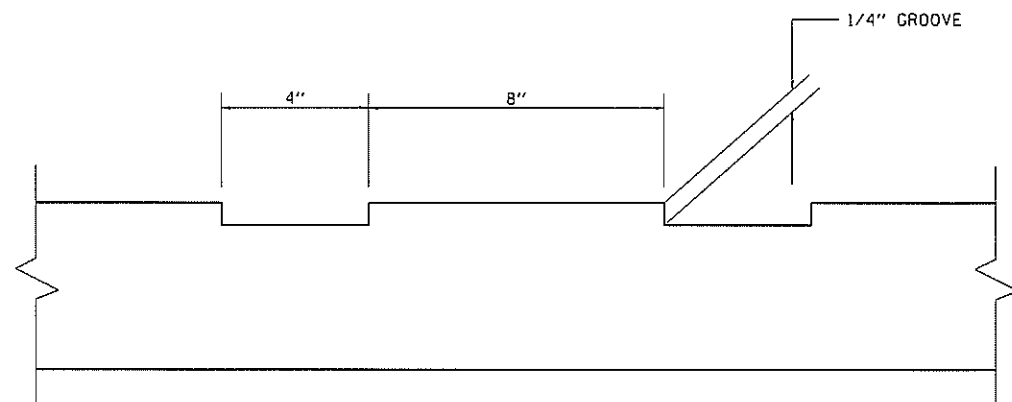
SCALE: SHEET OF SHEETS STA. TO STA.

F.A.P. RTE.	SECTION	COUNTY	TOTAL SHEETS	SHEET NO.
VAR.	D7 SEAL COAT 2019-2	COLES/SHELBY	8	8
CONTRACT NO. 74889				
ILLINOIS		FED. AID PROJECT		

TYPICAL RUMBLE STRIP APPLICATION IN ADVANCE OF AN INTERSECTION



NOTE: THE 25 FEET RUMBLE AREA HAS 4" WIDE GROOVES SAWED INTO THE PAVEMENT, SEPARATED BY 8" OF EXISTING PAVEMENT. THE SAW CUTS SHALL EXTEND 12" INTO THE SHOULDER TO ALLOW FOR DRAINAGE.



NOT TO SCALE

DISTRICT 7 DETAIL NO. Z0055300

FILE NAME =	USER NAME = renanta	DESIGNED -	REVISED - MM0 12-99
pu:\N\084EBID\INTEG\illinois.gov\PI\DOT\Documents\DOT Offices\District 7\Standards\Drawings\DRAWNDetails\Z0055300.dgn		CHECKED -	REVISED - MKS 04-08
		DATE -	REVISED -
			REVISED -

STATE OF ILLINOIS
DEPARTMENT OF TRANSPORTATION

TYPICAL RUMBLE STRIP APPLICATION

SCALE: _____ SHEET NO. ____ OF ____ SHEETS STA. _____ TO STA. _____

F.A. RTE.	SECTION	COUNTY	TOTAL SHEETS	SHEET NO.
VAR	D7 SEAL COAT 2019-2	COLES/SHELBY	8	8A
FED. ROAD DIST. NO. ILLINOIS FED. AID PROJECT			CONTRACT NO. 74889	