

048

01-18-2019 LETTING ITEM 048

STATE OF ILLINOIS
DEPARTMENT OF TRANSPORTATION
DIVISION OF HIGHWAYS

F.A.I. RTE.	SECTION	COUNTY	TOTAL SHEETS	SHEET NO.
88	D2 RS 2019-3	WHITESIDE	15	1
FED. ROAD DIST. NO. _		ILLINOIS	CONTRACT NO. 64N23	

PROJECT ENGINEER: SCOTT KULLERSTRAND

FOR INDEX OF SHEETS, SEE SHEET NO. 2
FOR STATE STANDARDS, SEE SHEET NO. 2

PROPOSED HIGHWAY PLANS

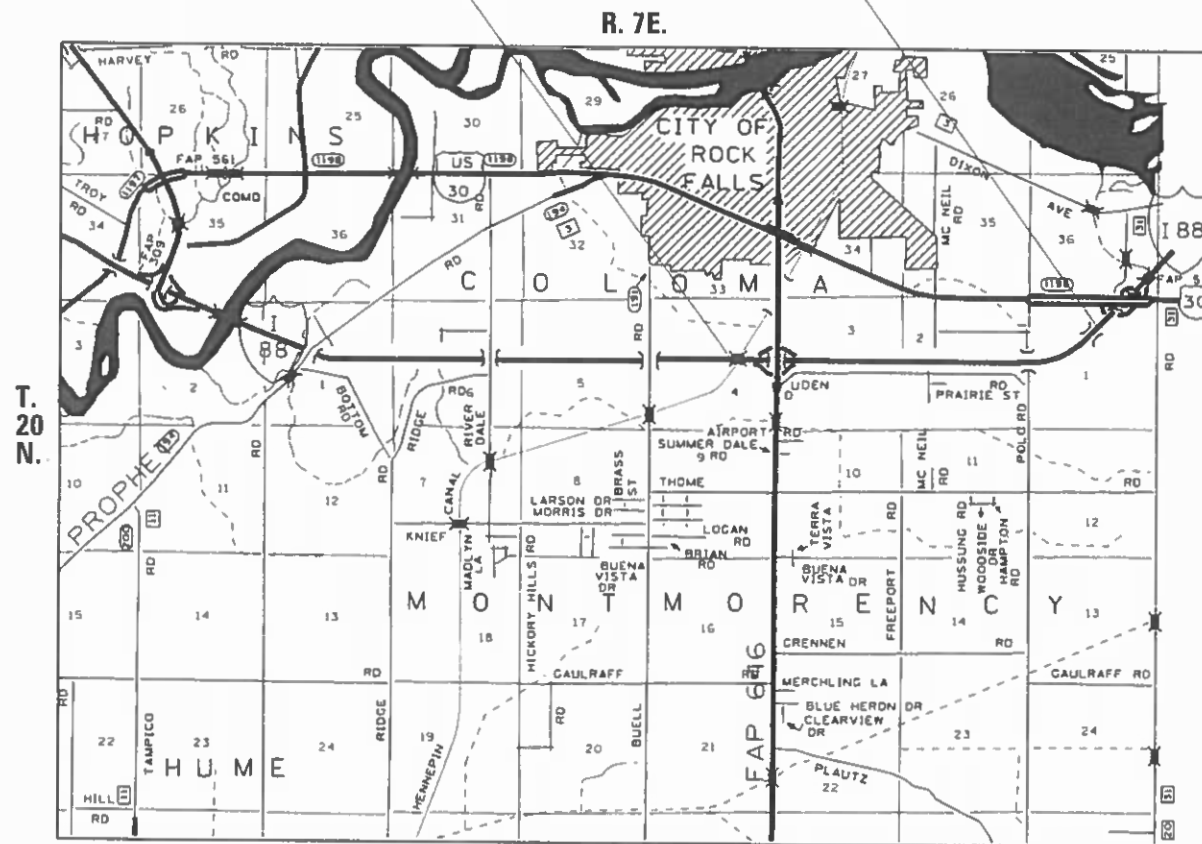
FAI ROUTE 88 (I-88)
SECTION D2 RS 2019-3
WHITESIDE COUNTY
C-92-014-19

D-92-069-18



SECTION BEGINS
STA. 2159 + 76

SECTION ENDS
STA. 2302 + 70



MONTMORENCY TOWNSHIP SECTIONS (1,2,3,4)

J.U.L.I.E.
JOINT UTILITY LOCATION INFORMATION FOR EXCAVATION
1-800-892-0123
OR 811

STATE OF ILLINOIS
DEPARTMENT OF TRANSPORTATION
DIVISION OF HIGHWAYS

SUBMITTED 10-10-2018
[Signature]
REGION ENGINEER

Dec 7 2018
[Signature]
ENGINEER OF DESIGN AND ENVIRONMENT

Dec 7 2018
[Signature]
DIRECTOR OF HIGHWAYS, PROJECT IMPLEMENTATION

GROSS LENGTH = 14,294 FT. = 2.707 MILE
NET LENGTH = 14,294 FT. = 2.707 MILE

PRINTED BY THE AUTHORITY
OF THE STATE OF ILLINOIS

SQUAD LEADER: LANCE NICKLAUS 815-284-5407

CONTRACT NO. 64N23

FAI ROUTE 88 (I-88)

SECTION D2 RS 2019-3

WHITESIDE COUNTY

INDEX

1	Cover Sheet
2	Index of Sheets / State Standards
3	Summary of Quantities
4	General Notes
5-7	Schedule Of Quantities
8	Typical
9-12	Work Zone Sign Details (DS 34.1)
13-15	Typical Pavement Markings (DS 41.1)

STATE STANDARDS

701400-09	APPROACH TO LANE CLOSURE, FREEWAY/EXPRESSWAY
701401-12	LANE CLOSURE, FREEWAY/EXPRESSWAY
701406-12	LANE CLOSURE, FREEWAY/EXPRESSWAY, DAY OPERATIONS ONLY
701411-09	LANE CLOSURE, MULTILANE, AT ENTRANCE OR EXIT RAMP, FOR SPEEDS \geq 45MPH
701426-09	LANE CLOSURE, MULTILANE, INTERMITTENT OR MOVING OPERATIONS, FOR SPEEDS \geq 45MPH
701901-08	TRAFFIC CONTROL DEVICES
720011-01	METAL POST FOR SIGNS, MARKERS AND DELINEATORS
728001-01	TELESCOPING STEEL SIGN SUPPORT
729001-01	APPLICATIONS OF TYPES A AND B METAL POST (FOR SIGNS & MARKERS)
780001-05	TYPICAL PAVEMENT MARKINGS
781001-04	TYPICAL APPLICATIONS RAISED REFLECTIVE PAVEMENT MARKERS

SUMMARY OF QUANTITIES

FAI 88 (I-88)
SECTION D2 RS 2019-3
WHITESIDE COUNTY
CONTRACT # 64N23
SHEET 3 OF 15

100% State
0005

CODE NO.	ITEM	UNIT	TOTAL QUANTITY
40600295	POLYMERIZED BITUMINOUS MATERIALS (TACK COAT)	POUND	2,710
40603545	POLYMERIZED HOT-MIX ASPHALT SURFACE COURSE, MIX "D", N90	TON	676
44000157	HOT-MIX ASPHALT SURFACE REMOVAL 2"	SQ YD	6023
67100100	MOBILIZATION	L SUM	1
70100420	TRAFFIC CONTROL AND PROTECTION, STANDARD 701411	EACH	3
70100700	TRAFFIC CONTROL AND PROTECTION, STANDARD 701406	L SUM	1
70100800	TRAFFIC CONTROL AND PROTECTION, STANDARD 701401	L SUM	1
70300100	SHORT TERM PAVEMENT MARKING	FOOT	422
70300150	SHORT TERM PAVEMENT MARKING REMOVAL	SQ FT	141
* 78000200	THERMOPLASTIC PAVEMENT MARKING - LINE 4"	FOOT	4358
* 78000500	THERMOPLASTIC PAVEMENT MARKING - LINE 8"	FOOT	141
* 78100100	RAISED REFLECTIVE PAVEMENT MARKERS	EACH	26
78300200	RAISED REFLECTIVE PAVEMENT MARKER REMOVAL	EACH	26

* Specialty Items

SCHEDULE OF QUANTITIES

FAI 88 (I-88)
SECTION D2 RS 2019-3
WHITESIDE COUNTY
CONTRACT #64N23
SHEET 5 of 15

40600295 POLYMERIZED BITUMINOUS MATERIALS (TACK COAT)

<u>LOCATION</u>	<u>POUND</u>	<u>REMARKS</u>
STA. 2159+76 - 2161+87	295	SN 098-0084
STA. 2275+25 - 2278+36	437	SN 098-0088
STA. 2279+42 - 2281+38	275	SN 098-0088
STA. 2276+82 - 2278+34	214	SN 098-0087
STA. 2279+43 - 2280+95	213	SN 098-0087
STA. 2295+68 - 2298+78	426	SN 098-0089
STA. 2300+45 - 2302+33	258	SN 098-0089
STA. 2296+94 - 2299+10	309	SN 098-0090
STA. 2300+71 - 2302-70	283	SN 098-0090
	<u>2710</u>	

40603545 POLYMERIZED HOT-MIX ASPHALT SURFACE COURSE, MIX "D", N90

<u>LOCATION</u>	<u>TON</u>	<u>REMARKS</u>
STA. 2159+76 - 2161+87	74	SN 098-0084
STA. 2275+25 - 2278+36	109	SN 098-0088
STA. 2279+42 - 2281+38	68	SN 098-0088
STA. 2276+82 - 2278+34	53	SN 098-0087
STA. 2279+43 - 2280+95	53	SN 098-0087
STA. 2295+68 - 2298+78	106	SN 098-0089
STA. 2300+45 - 2302+33	65	SN 098-0089
STA. 2296+94 - 2299+10	77	SN 098-0090
STA. 2300+71 - 2302-70	71	SN 098-0090
	<u>676</u>	

44000157 HOT-MIX ASPHALT SURFACE REMOVAL 2"

<u>LOCATION</u>	<u>SQ YD</u>	<u>REMARKS</u>
STA. 2159+76 - 2161+87	656	SN 098-0084
STA. 2275+25 - 2278+36	970	SN 098-0088
STA. 2279+42 - 2281+38	611	SN 098-0088
STA. 2276+82 - 2278+34	475	SN 098-0087
STA. 2279+43 - 2280+95	473	SN 098-0087
STA. 2295+68 - 2298+78	948	SN 098-0089
STA. 2300+45 - 2302+33	573	SN 098-0089
STA. 2296+94 - 2299+10	687	SN 098-0090
STA. 2300+71 - 2302-70	630	SN 098-0090
	<u>6023</u>	

70300100 SHORT TERM PAVEMENT MARKING

<u>LOCATION</u>	<u>FOOT</u>	<u>REMARKS</u>
(ONE APPLICATION CENTERLINE AND SHOULDER DIAGONAL)		
STA. 2159+76 - 2161+87	44	SN 098-0084
STA. 2275+25 - 2278+36	62	SN 098-0088
STA. 2279+42 - 2281+38	44	SN 098-0088
STA. 2276+82 - 2278+34	39	SN 098-0087
STA. 2279+43 - 2280+95	39	SN 098-0087
STA. 2295+68 - 2298+78	62	SN 098-0089
STA. 2300+45 - 2302+33	44	SN 098-0089
STA. 2296+94 - 2299+10	44	SN 098-0090
STA. 2300+71 - 2302-70	44	SN 098-0090
	<u>422</u>	

70300150 SHORT TERM PAVEMENT MARKING REMOVAL

<u>LOCATION</u>	<u>FOOT</u>	<u>REMARKS</u>
STA. 2159+76 - 2161+87	15	SN 098-0084
STA. 2275+25 - 2278+36	20	SN 098-0088
STA. 2279+42 - 2281+38	15	SN 098-0088
STA. 2276+82 - 2278+34	13	SN 098-0087
STA. 2279+43 - 2280+95	13	SN 098-0087
STA. 2295+68 - 2298+78	20	SN 098-0089
STA. 2300+45 - 2302+33	15	SN 098-0089
STA. 2296+94 - 2299+10	15	SN 098-0090
STA. 2300+71 - 2302-70	15	SN 098-0090
	<u>141</u>	

78000200 THERMOPLASTIC PAVEMENT MARKING - LINE 4"

<u>LOCATION</u>	<u>FOOT</u>	<u>REMARKS</u>
WHITE		
STA. 2159+76 - 2161+87	260	SN 098-0084
STA. 2275+25 - 2278+36	392	SN 098-0088
STA. 2279+42 - 2281+38	246	SN 098-0088
STA. 2276+82 - 2278+34	192	SN 098-0087
STA. 2279+43 - 2280+95	192	SN 098-0087
STA. 2295+68 - 2298+78	390	SN 098-0089
STA. 2300+45 - 2302+33	228	SN 098-0089
STA. 2296+94 - 2299+10	270	SN 098-0090
STA. 2300+71 - 2302-70	249	SN 098-0090
SUB TOTAL	<u>2419</u>	

78000200 THERMOPLASTIC PAVEMENT MARKING - LINE 4" (CONT)

<u>LOCATION</u>	<u>FOOT</u>	<u>REMARKS</u>
YELLOW		
STA. 2159+76 - 2161+87	210	SN 098-0084
STA. 2275+25 - 2278+36	312	SN 098-0088
STA. 2279+42 - 2281+38	196	SN 098-0088
STA. 2276+82 - 2278+34	152	SN 098-0087
STA. 2279+43 - 2280+95	152	SN 098-0087
STA. 2295+68 - 2298+78	310	SN 098-0089
STA. 2300+45 - 2302+33	188	SN 098-0089
STA. 2296+94 - 2299+10	220	SN 098-0090
STA. 2300+71 - 2302-70	199	SN 098-0090
	<u>1939</u>	
SUBTOTAL	<u>1939</u>	
TOTAL	<u>4358</u>	

78000500 THERMOPLASTIC PAVEMENT MARKING - LINE 8"

<u>LOCATION</u>	<u>FOOT</u>	<u>REMARKS</u>
WHITE		
STA. 2159+76 - 2161+87	141	SN 098-0084
	<u>141</u>	

78100100 RAISED REFLECTIVE PAVEMENT MARKERS

<u>LOCATION</u>	<u>EACH</u>	<u>REMARKS</u>
STA. 2159+76 - 2161+87	4	SN 098-0084
STA. 2275+25 - 2278+36	2	SN 098-0088
STA. 2279+42 - 2281+38	4	SN 098-0088
STA. 2276+82 - 2278+34	2	SN 098-0087
STA. 2279+43 - 2280+95	2	SN 098-0087
STA. 2295+68 - 2298+78	3	SN 098-0089
STA. 2300+45 - 2302+33	3	SN 098-0089
STA. 2296+94 - 2299+10	3	SN 098-0090
STA. 2300+71 - 2302-70	3	SN 098-0090
	<u>26</u>	

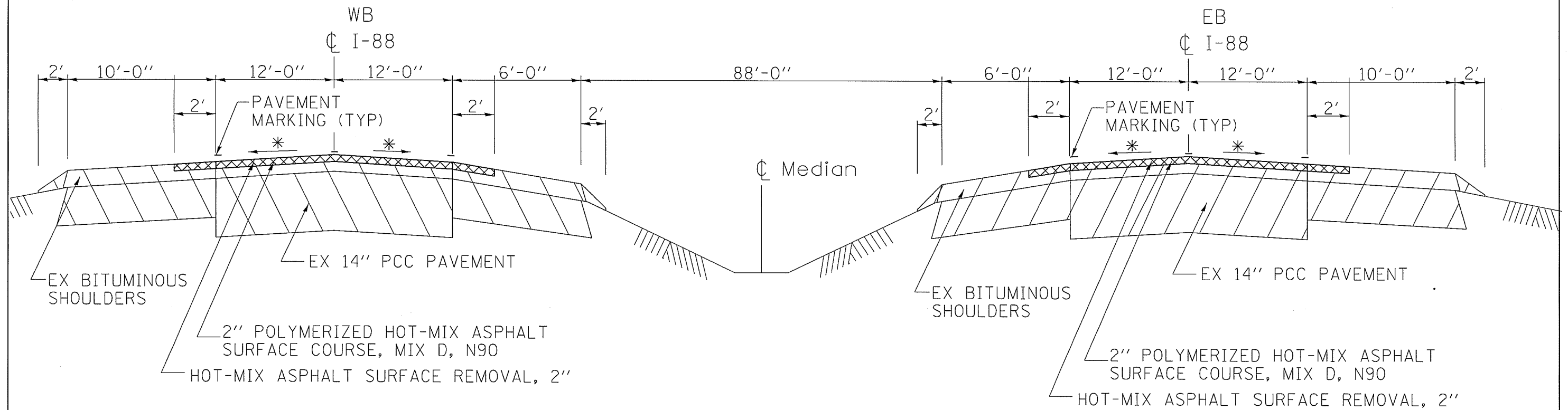
78300200 RAISED REFLECTIVE PAVEMENT MARKER REMOVAL

<u>LOCATION</u>	<u>EACH</u>	<u>REMARKS</u>
STA. 2159+76 - 2161+87	4	SN 098-0084
STA. 2275+25 - 2278+36	2	SN 098-0088
STA. 2279+42 - 2281+38	4	SN 098-0088
STA. 2276+82 - 2278+34	2	SN 098-0087
STA. 2279+43 - 2280+95	2	SN 098-0087
STA. 2295+68 - 2298+78	3	SN 098-0089
STA. 2300+45 - 2302+33	3	SN 098-0089
STA. 2296+94 - 2299+10	3	SN 098-0090
STA. 2300+71 - 2302-70	3	SN 098-0090
	<u>26</u>	

TYPICAL SECTIONS

FAI 88 (I-88)
 Section D2 RS 2019-3
 Whiteside County
 Contract No. 64N23
 Sheet 8 of 15

SN 098-0084
 SN 098-0088
 SN 098-0087
 SN 098-0089
 SN 098-0090



 EXISTING

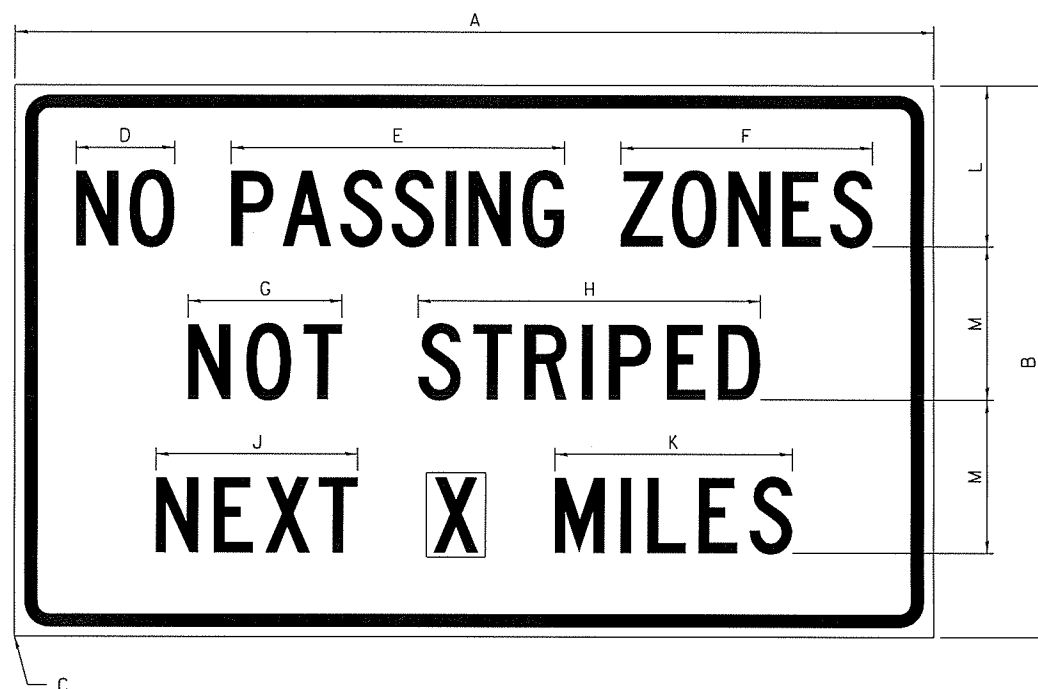
 REMOVAL

* MAINTAIN EXISTING X- SLOPE

FILE NAME =	USER NAME = nicklausle	DESIGNED -	REVISED -	STATE OF ILLINOIS DEPARTMENT OF TRANSPORTATION	SCALE: _____ SHEET NO. ___ OF ___ SHEETS STA. _____ TO STA. _____	F.A.I. RTE.	SECTION	COUNTY	TOTAL SHEETS	SHEET NO.	
D:\PL\Nicklaus\FY 19 jobs\Den\188 Struct	res\I-88-Typ.dgn	DRAWN -	REVISED -			88	D2 RS 2019-3	WHITESIDE	15	8	
	PLOT SCALE = 41.1985' / in.	CHECKED -	REVISED -			CONTRACT NO. 64N23					
	PLOT DATE = Oct-05-2018 07:33:00 AM	DATE -	REVISED -			FED. ROAD DIST. NO. [ILLINOIS] FED. AID PROJECT					

WORK ZONE SIGN DETAILS

ILLINOIS STANDARD G20-I100



COLOR LEGEND AND BORDER BACKGROUND BLACK ORANGE NON-REFLECTORIZED REFLECTORIZED

SIGN SIZE	DIMENSIONS											
	A	B	C	D	E	F	G	H	J	K	L	M
60 x 36	60.00	36.00	2.25	6.4	21.80	16.40	10.00	22.40	13.20	15.50	10.50	10.00

SIGN SIZE	SERIES BY LINE			MARGIN	BORDER
	1	2	3		
60 x 36	5C	5C	5C	0.625	0.875

Sign not to scale

ILLINOIS STANDARD W8-I107



COLOR LEGEND AND BORDER BACKGROUND BLACK ORANGE NON-REFLECTORIZED REFLECTORIZED

SIGN SIZE	DIMENSIONS									
	A	B	C	D	E	F	G	H	J	
48 x 48	48.00	3.00	25.00	34.80	34.20	24.94	9.00	1.00	10.00	

SIGN SIZE	SERIES BY LINE			MARGIN	BORDER
	1	2	3		
48 x 48	7C	7C	7C	1.250	0.750

Sign not to scale

GENERAL NOTES

All work to furnish and install these signs shall be included in the cost of the specified traffic control standards and shall not be paid separately.

All Illinois Standard signs shall conform to the latest edition of the "Illinois Standard Highway Signs Book" in effect on the date of invitation for bids.

Signs shall meet the applicable portions of Sections 701 and 720 of the Standard Specifications.

All dimensions are in inches unless otherwise noted.

FILE NAME = G:\PL\Nicklaus\FY 19 Jobs\Don\188 Structur	USER NAME = nicklaus	DESIGNED -	REVISED - 3-02-16
	res\1-88.covr.dgn	DRAWN -	REVISED -
	PLOT SCALE = 1/82.9963' / in.	CHECKED -	REVISED -
	PLOT DATE = Oct-05-2018 07:49:18 AM	DATE -	REVISED -

**STATE OF ILLINOIS
DEPARTMENT OF TRANSPORTATION**

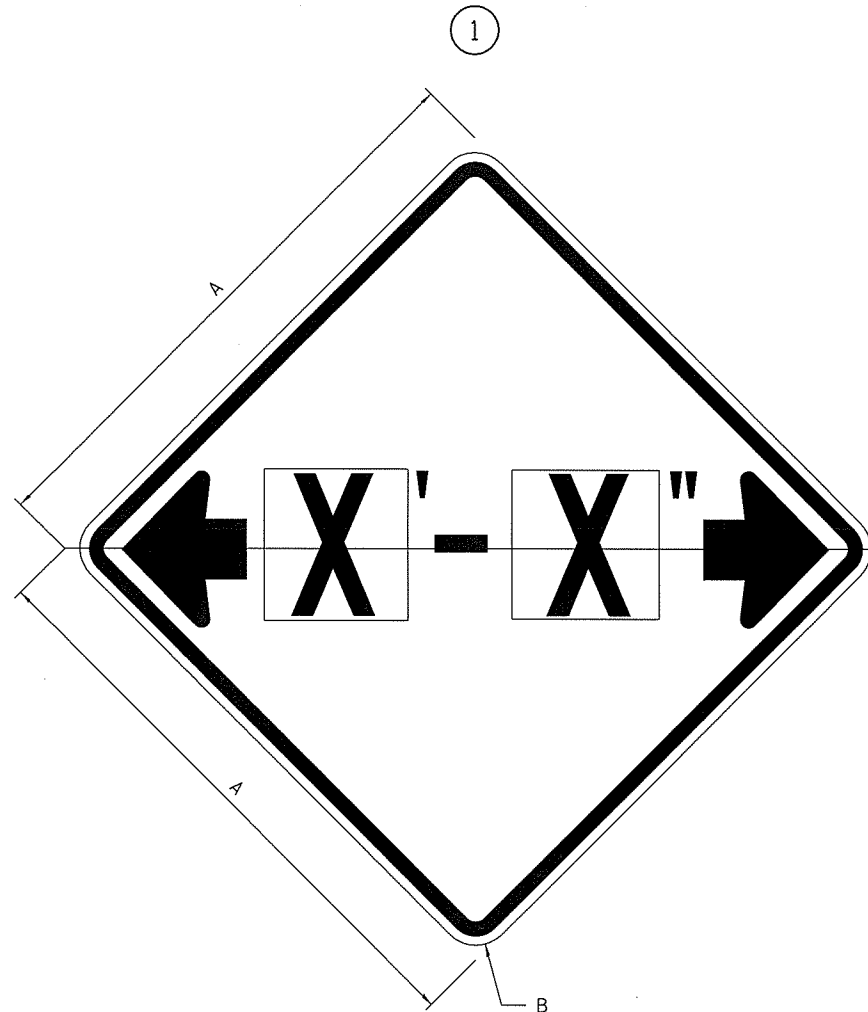
REGION 2 / DISTRICT 2 STANDARD

SCALE: _____ SHEET NO. ___ OF ___ SHEETS STA. _____ TO STA. _____

F.A.I. RTE.	SECTION	COUNTY	TOTAL SHEETS	SHEET NO.
BB	D2 RS 2019-3	WHITESIDE	15	9
FED. ROAD DIST. NO. ILLINOIS FED. AID PROJECT			CONTRACT NO. 64N23	

WORK ZONE SIGN DETAILS

ILLINOIS STANDARD W12-I102



GENERAL NOTES

All work to furnish and install these signs shall be included in the cost of the specified traffic control standards and shall not be paid separately.

All Illinois Standard signs shall conform to the latest edition of the "Illinois Standard Highway Signs Book" in effect on the date of invitation for bids.

Signs shall meet the applicable portions of Sections 701 and 720 of the Standard Specifications.

All dimensions are in inches unless otherwise noted.

COLOR LEGEND AND BORDER BACKGROUND BLACK FL ORANGE NON-REFLECTORIZED REFLECTORIZED

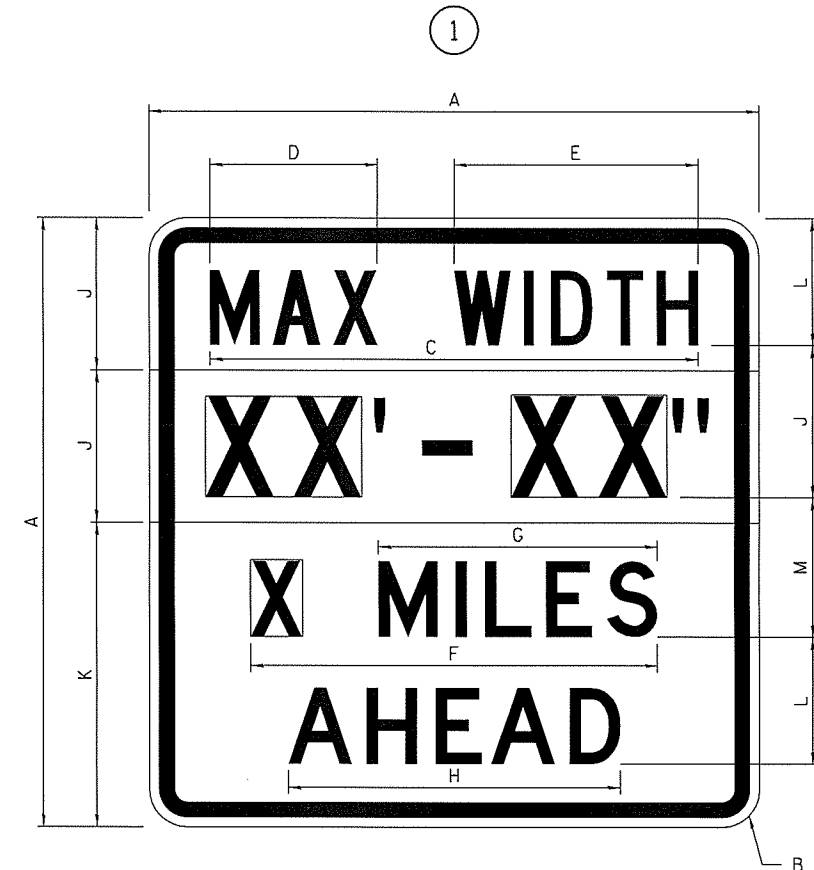
SIGN SIZE	DIMENSIONS	
	A	B
48 x 48	48.00	3.00

① Illinois Standard signs W12-I102 and W12-I103 shall be used as described in the special provisions.

SIGN SIZE	SERIES BY LINE	MARGIN	BORDER
	1		
48 x 48	12C	0.750	1.250

Sign not to scale

ILLINOIS STANDARD W12-I103



COLOR LEGEND AND BORDER BACKGROUND BLACK FL ORANGE NON-REFLECTORIZED REFLECTORIZED

SIGN SIZE	DIMENSIONS											
	A	B	C	D	E	F	G	H	J	K	L	M
48 x 48	48.00	3.00	38.40	13.20	19.20	32.00	22.00	26.20	12.00	24.00	10.00	11.00

SIGN SIZE	SERIES BY LINE				MARGIN	BORDER
	1	2	3	4		
48 x 48	6C	8D	6D	6D	0.750	1.250

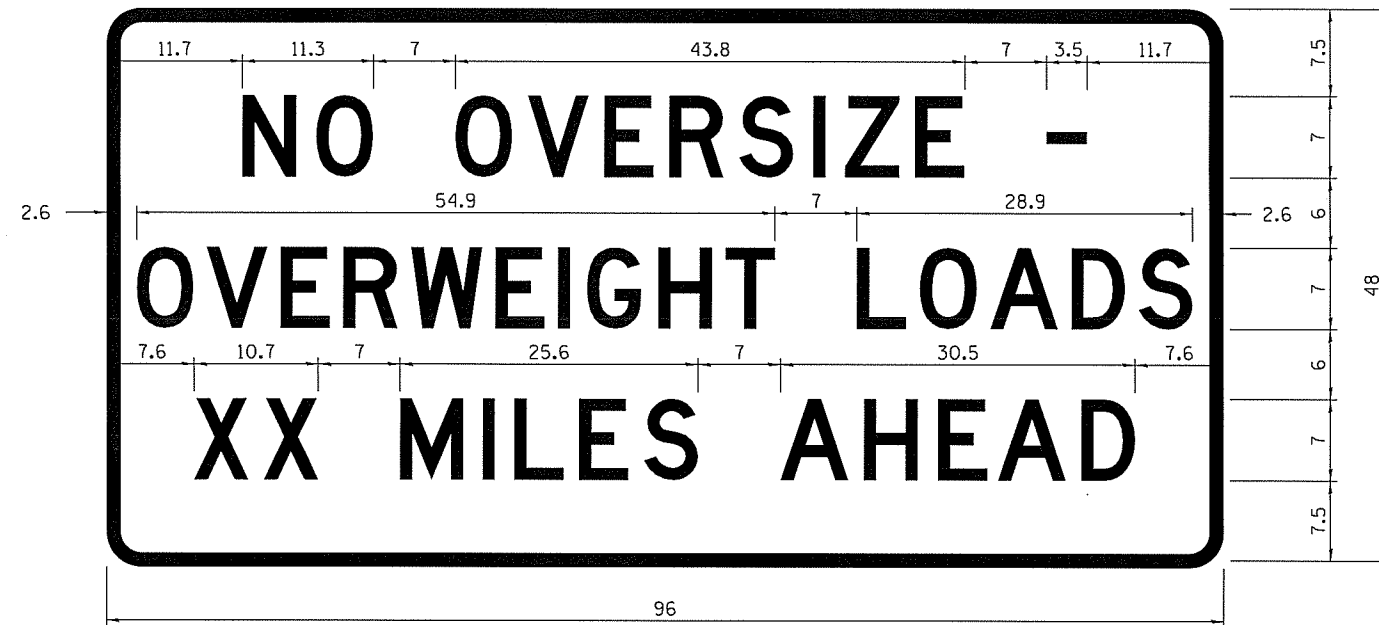
Sign not to scale

XX'-XX" WIDTH AND X MILES ARE VARIABLE TOP AND BOTTOM OF BACKGROUND WHITE

FILE NAME = 0:\PL\Nicklaus\FY 19 jobs\Gen\188 Struct	USER NAME = nicklausle	DESIGNED -	REVISED - 3-02-16	STATE OF ILLINOIS DEPARTMENT OF TRANSPORTATION	REGION 2 / DISTRICT 2 STANDARD	F.A.I. RTE. 88	SECTION D2 RS 2019-3	COUNTY WHITESIDE	TOTAL SHEETS 15	SHEET NO. 10		
	res\1-88_covr.dgn	DRAWN -	REVISED -			SCALE: _____	SHEET NO. ___ OF ___ SHEETS	STA. _____ TO STA. _____	CONTRACT NO. 64N23			
	PLOT SCALE = 1/82.9963" / in.	CHECKED -	REVISED -			FED. ROAD DIST. NO. [ILLINOIS] FED. AID PROJECT						
	PLOT DATE = Oct-05-2018 07:49:32 AM	DATE -	REVISED -									

WORK ZONE SIGN DETAILS

ROAD CLOSED TO OVERSIZED LOADS



STOP LINE SIGN FOR TEMPORARY SIGNALS



COLOR	LEGEND AND BORDER BACKGROUND	BLACK ORANGE	NON-REFLECTORIZED REFLECTORIZED
-------	------------------------------	--------------	---------------------------------

Permit Loads - Loads Over 13 Feet; 3.0" Radius, 1.3" Border;
 [NO OVERSIZE -] D; [OVERWEIGHT LOADS] D 85% spacing; [XX MILES AHEAD] D;
 Table of letter and object lefts.

N	O	O	V	E	R	S	I	Z	E	-
11.7	18.1	30.0	36.2	42.8	48.4	54.4	60.7	63.5	69.5	80.8

O	V	E	R	W	E	I	G	H	T	L	O	A	D	S
2.6	8.6	15.0	20.4	26.2	33.4	38.8	41.3	47.4	53.2	64.5	69.9	75.9	82.9	88.7

X	X	M	I	L	E	S	A	H	E	A	D
7.6	13.6	25.3	32.3	35.1	40.6	46.2	57.9	65.1	71.4	76.6	83.7

Sign not to scale

COLOR	LEGEND AND BORDER BACKGROUND	BLACK WHITE	NON-REFLECTORIZED REFLECTORIZED
-------	------------------------------	-------------	---------------------------------

SIGN SIZE	SERIES BY LINE		
	1	2	3
24 x 24	4C	4C	4C

Sign not to scale

GENERAL NOTES

All work to furnish and install these signs shall be included in the cost of the specified traffic control standards and shall not be paid separately.

All Illinois Standard signs shall conform to the latest edition of the "Illinois Standard Highway Signs Book" in effect on the date of invitation for bids.

Signs shall meet the applicable portions of Sections 701 and 720 of the Standard Specifications.

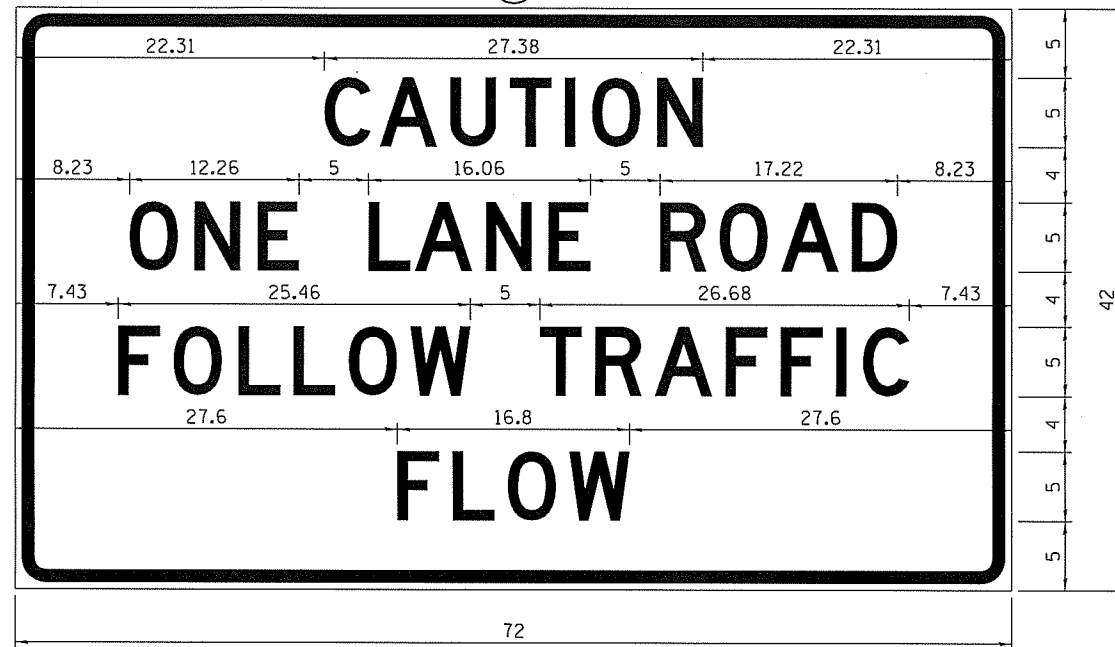
All dimensions are in inches unless otherwise noted.

FILE NAME = 0:\NPL\Nicklaus\FY 19 jobs\Dan\188 Struct	USER NAME = nicklauste res\1-88_covr.dgn	DESIGNED - DRAWN -	REVISED - 3-02-16 REVISED -	STATE OF ILLINOIS DEPARTMENT OF TRANSPORTATION	REGION 2 / DISTRICT 2 STANDARD	F.A.I. RTE. 88	SECTION D2 RS 2019-3	COUNTY WHITESIDE	TOTAL SHEETS 15	SHEET NO. 11		
PLOT SCALE = 1/82.9963" / in.		CHECKED -	REVISED -			SCALE: _____	SHEET NO. ___ OF ___ SHEETS	STA. _____ TO STA. _____	FED. ROAD DIST. NO. [ILLINOIS] FED. AID PROJECT			
PLOT DATE = Oct-05-2018 07:49:47 AM		DATE -	REVISED -									
CONTRACT NO. 64N23												

**ENTRANCE SIGN FOR USE
WITH TEMPORARY SIGNALS**

WORK ZONE SIGN DETAILS

②



COLOR LEGEND AND BORDER BACKGROUND BLACK ORANGE NON-REFLECTORIZED REFLECTORIZED

2.25" Radius, 0.88" Border, 0.50" Indent;
[CAUTION] D; [ONE LANE ROAD] D;
[FOLLOW TRAFFIC] D; [FLOW] D

② This sign shall be installed at entrances located between the temporary signals as shown in the staging plans.

Table Of Widths And Spaces

22.31	C	3.36	0.62	A	4.18	0.94	U	3.36	0.94	T	3.04	0.94	I	0.78	1.17	O	3.52	1.17	N	3.36	22.31
-------	---	------	------	---	------	------	---	------	------	---	------	------	---	------	------	---	------	------	---	------	-------

8.23	O	3.51	1.17	N	3.36	1.18	E	3.04
------	---	------	------	---	------	------	---	------

5.00	L	3.05	0.31	A	4.18	0.94	N	3.36	1.17	E	3.05
------	---	------	------	---	------	------	---	------	------	---	------

5.00	R	3.36	0.93	O	3.52	0.94	A	4.18	0.93	D	3.36	8.23
------	---	------	------	---	------	------	---	------	------	---	------	------

7.43	F	3.04	0.94	O	3.52	1.17	L	3.04	0.94	L	3.05	0.94	O	3.51	0.94	W	4.37
------	---	------	------	---	------	------	---	------	------	---	------	------	---	------	------	---	------

5.00	T	3.05	0.94	R	3.36	0.94	A	4.18	0.93	F	3.05	0.94	F	3.04	0.94	I	0.78	1.18	C	3.35	7.43
------	---	------	------	---	------	------	---	------	------	---	------	------	---	------	------	---	------	------	---	------	------

27.60	F	3.05	0.94	L	3.04	0.94	O	3.52	0.93	W	4.38	27.60
-------	---	------	------	---	------	------	---	------	------	---	------	-------

Sign not to scale

GENERAL NOTES

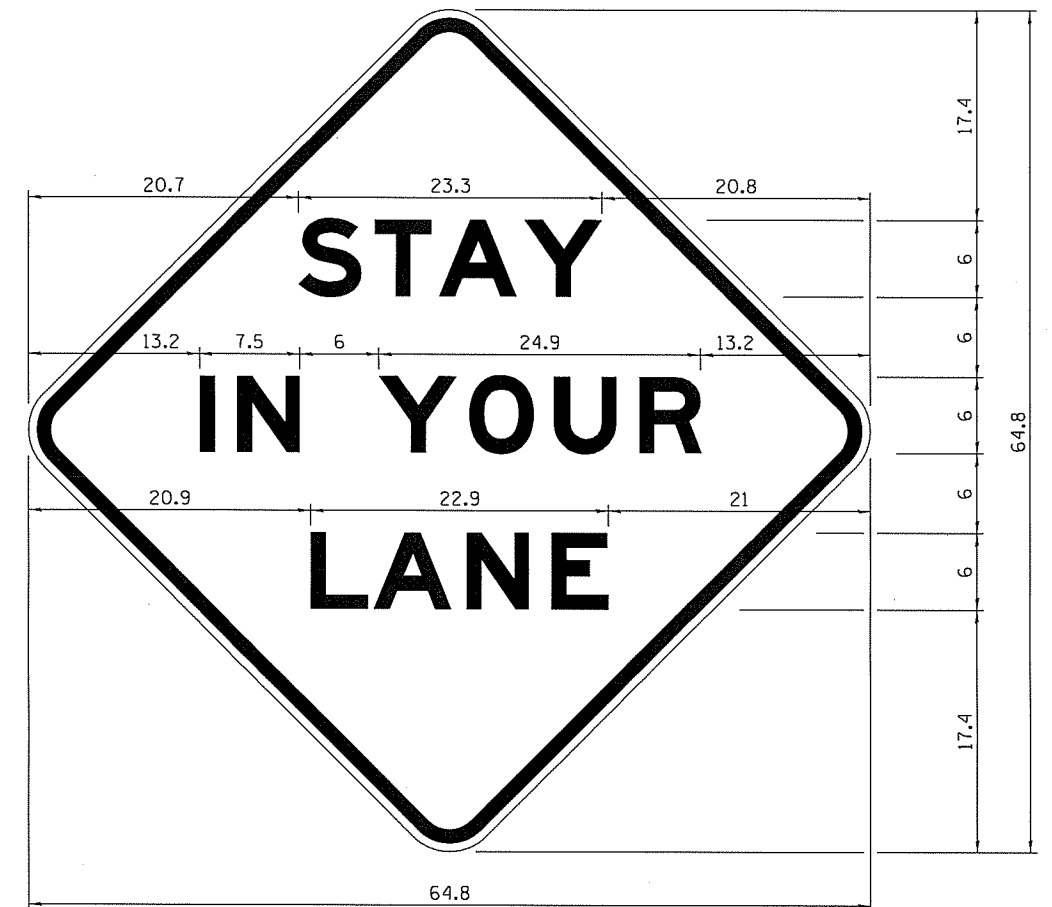
All work to furnish and install these signs shall be included in the cost of the specified traffic control standards and shall not be paid separately.

All Illinois Standard signs shall conform to the latest edition of the "Illinois Standard Highway Signs Book" in effect on the date of invitation for bids.

Signs shall meet the applicable portions of Sections 701 and 720 of the Standard Specifications.

All dimensions are in inches unless otherwise noted.

STAY IN YOUR LANE



COLOR LEGEND AND BORDER BACKGROUND BLACK ORANGE NON-REFLECTORIZED REFLECTORIZED

48.0" across sides 3.8" Radius, 1.0" Border, 0.6" Indent;
"STAY" E Mod; "IN YOUR" E Mod; "LANE" E Mod;

Table of Letter and Object Lefts

S	T	A	Y
20.7	26.8	31.6	38.0

I	N	Y	O	U	R
13.2	15.9	26.7	33.9	40.5	46.8

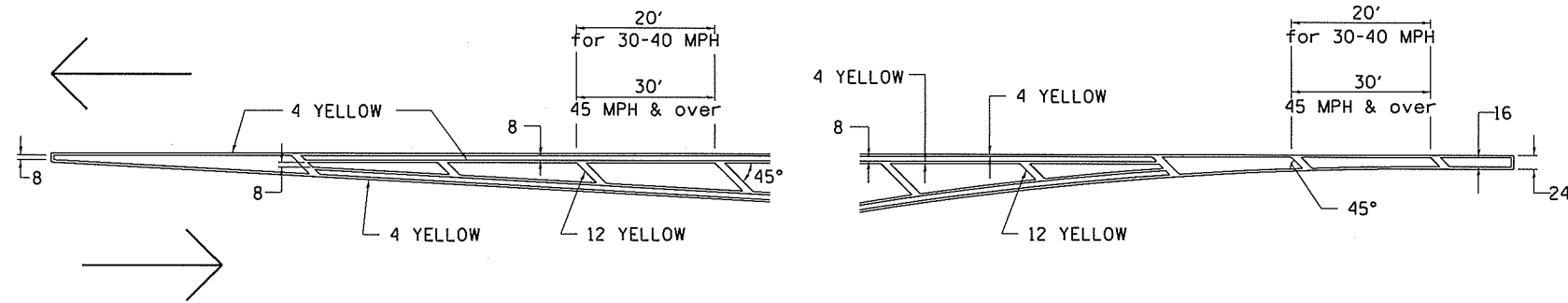
L	A	N	E
20.9	25.8	33.1	39.4

Sign not to scale

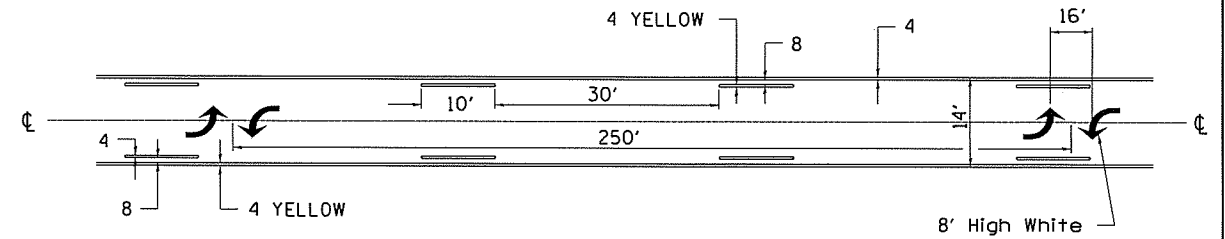
FILE NAME = D:\NPL\Nicklaus\FY 19 jobs\Dan\188 Struc	USER NAME = nicklaus	DESIGNED -	REVISED - 3-02-16	STATE OF ILLINOIS DEPARTMENT OF TRANSPORTATION	REGION 2 / DISTRICT 2 STANDARD	F.A.I. RTE. 88	SECTION D2 RS 2019-3	COUNTY WHITESIDE	TOTAL SHEETS 15	SHEET NO. 12	
	res\1-88_cavr.dgn	DRAWN -	REVISED -			SCALE: _____	SHEET NO. _____ OF _____ SHEETS	STA. _____ TO STA. _____	FED. ROAD DIST. NO. _____	ILLINOIS FED. AID PROJECT	CONTRACT NO. 64N23
	PLOT SCALE = 1/82,9963 1/ in.	CHECKED -	REVISED -								
	PLOT DATE = Oct-05-2018 07:50:04 AM	DATE -	REVISED -								

TYPICAL PAVEMENT MARKINGS

TYPICAL PAVEMENT MARKING FOR FLUSH MEDIAN AT LEFT TURN LANE

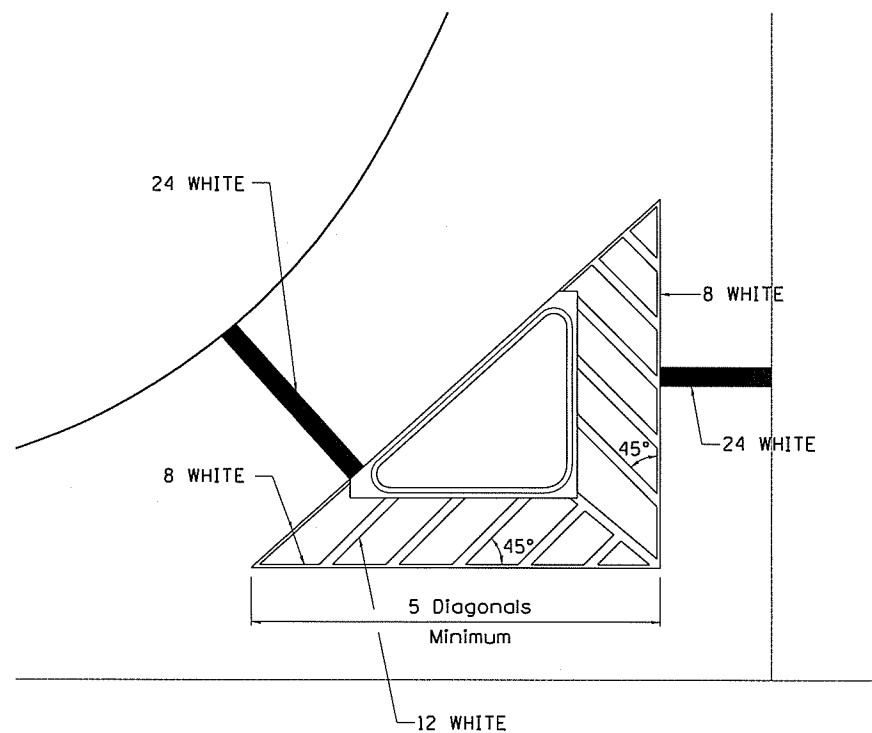


MEDIAN PAVEMENT MARKING



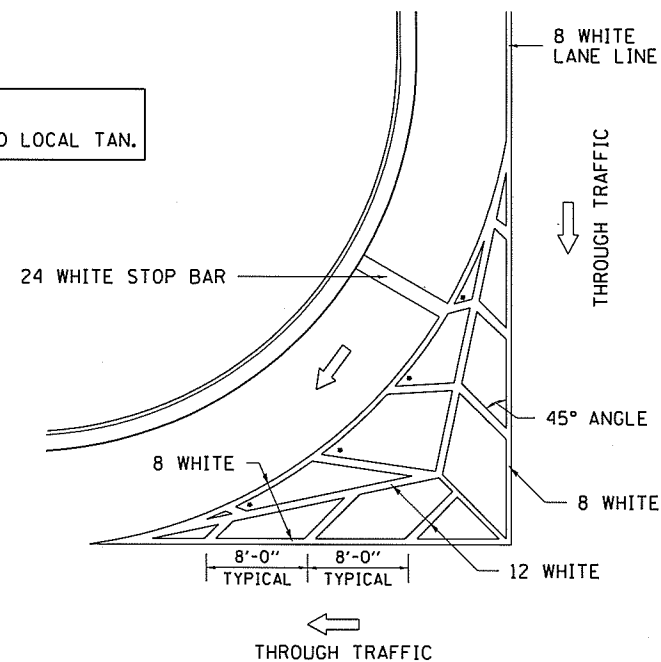
•• ALL DIMENSIONS ARE IN INCHES UNLESS OTHERWISE NOTED.

TYPICAL ISLAND OFFSET SHOULDER WIDTH



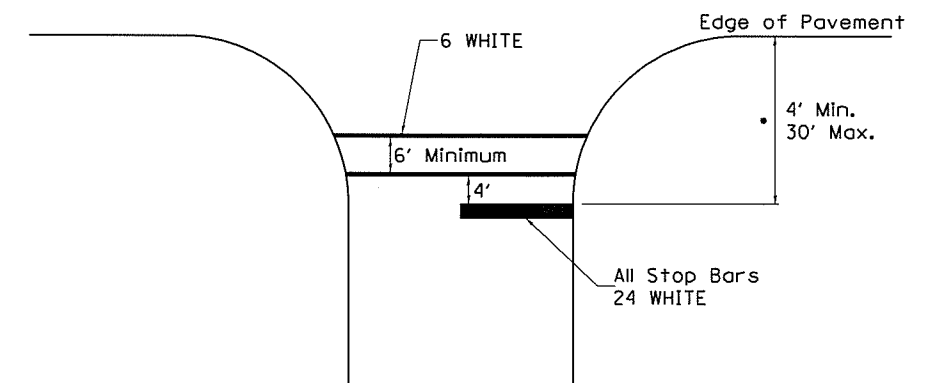
TYPICAL MARKING FOR PAINTED ISLANDS

NOTE:
* 45° TO LOCAL TAN.



STANDARD CROSSWALK MARKING

See Schedules for Locations

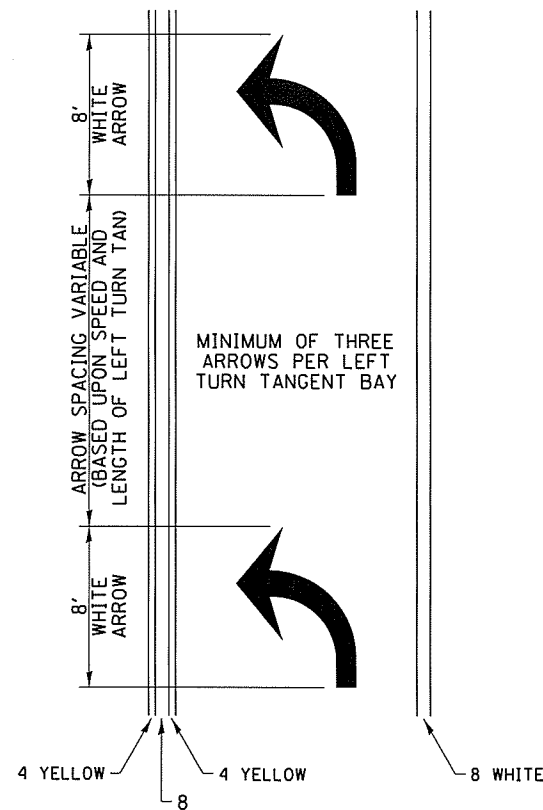


• Distance to the nearest edge of the intersecting roadway in the absence of a marked crosswalk.

FILE NAME =	USER NAME = ncklausie	DESIGNED -	REVISED - 6-27-14	STATE OF ILLINOIS DEPARTMENT OF TRANSPORTATION	REGION 2 / DISTRICT 2 STANDARD	F.A.I. RTE.	SECTION	COUNTY	TOTAL SHEETS	SHEET NO.
D:\NPL\Ncklausie\FY 19 jobs\Dan\188 Structures\11-88_covr.dgn	DRAWN -	REVISED - 3-05-12	88			D2 RS 2019-3	WHITESIDE	15	13	
PLOT SCALE = 1/82.9963 1/ in.	CHECKED -	REVISED -	CONTRACT NO. 64N23							
PLOT DATE = Oct-05-2018 07:50:23 AM	DATE -	REVISED -	FED. ROAD DIST. NO. - ILLINOIS FED. AID PROJECT							

TYPICAL PAVEMENT MARKINGS

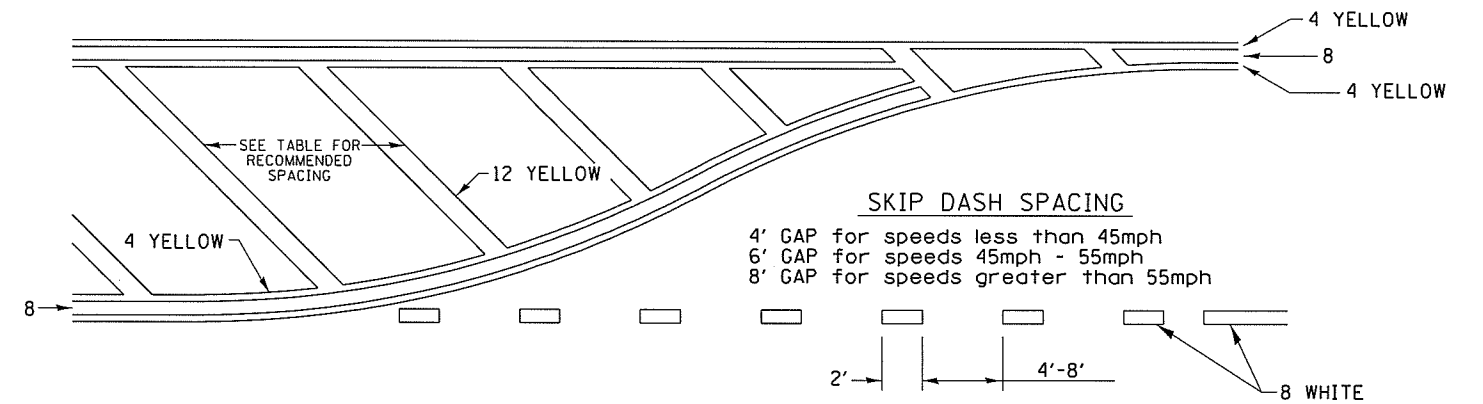
ARROW LAYOUT



- ◀ ONE-WAY AMBER MARKER
- ◁ ONE-WAY CRYSTAL MARKER
- ◆ TWO-WAY AMBER MARKER

ALL DIMENSIONS ARE IN INCHES UNLESS OTHERWISE NOTED.

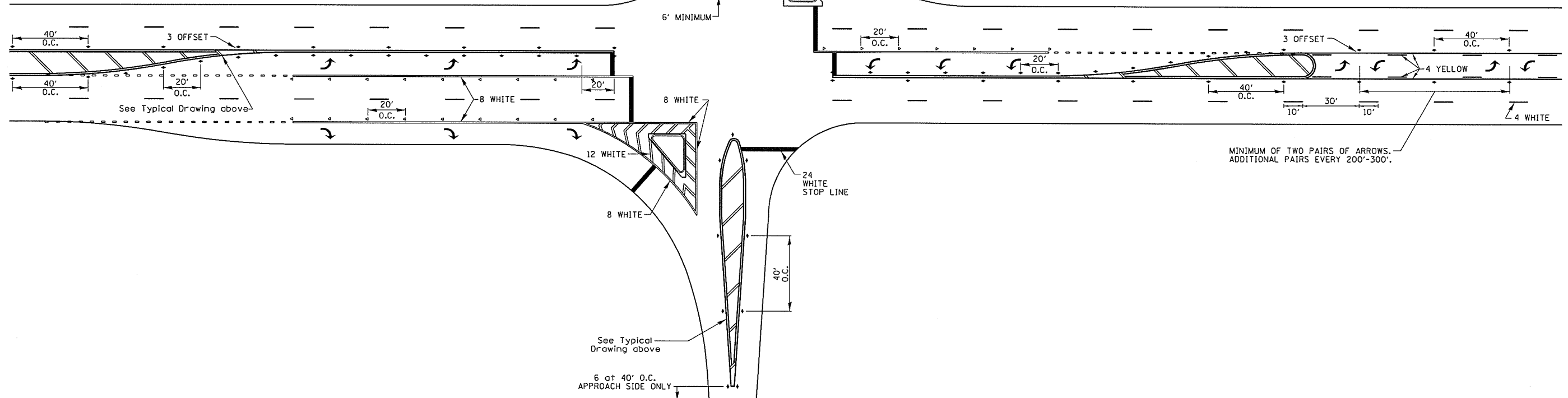
TYPICAL PAVEMENT MARKING FOR FLUSH MEDIAN



RECOMMENDED SPACING BETWEEN DIAGONALS (IN FEET)

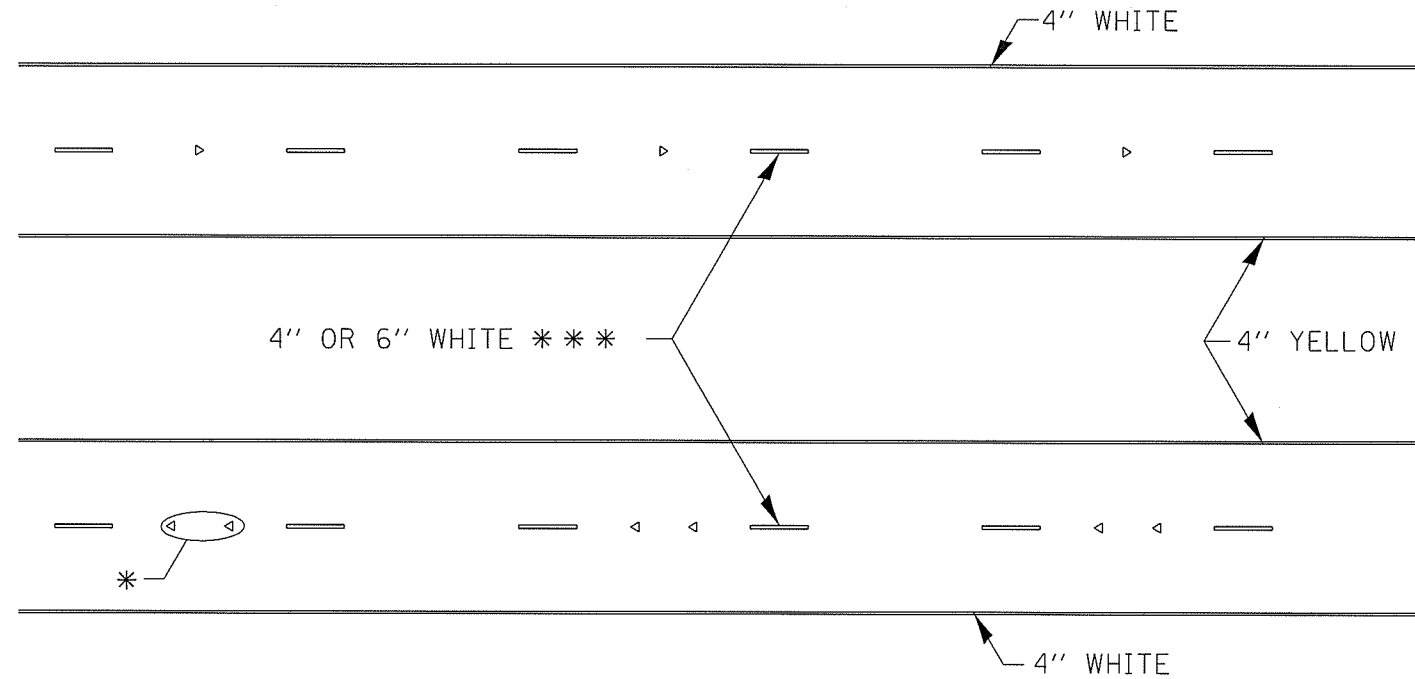
Speed Limit Range	Continuous Median Area	Intersection Channelization	Objects (Islands)
less than 30MPH	50'	15'	10'
30-40MPH	75'	20'	15'
45MPH & over	75'	30'	20'

NOTE: if the spacing recommended in the Table does not permit at least five diagonal lines in the area being marked, the spacing from the next lowest speed range should be used. The recommended spacing is measured parallel to the pavement center line.



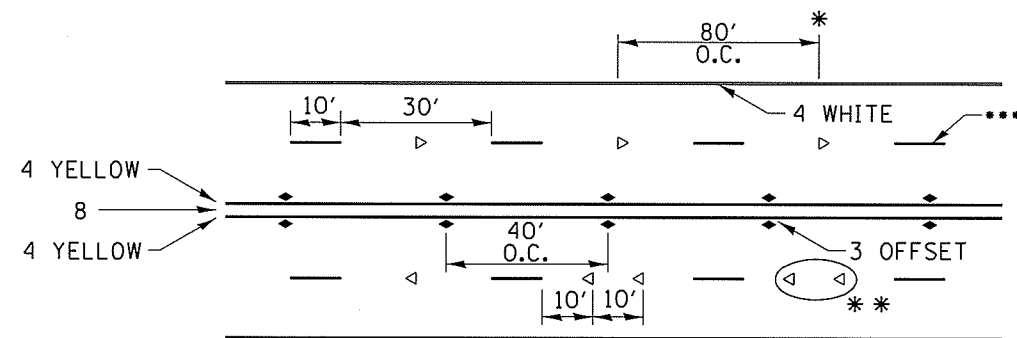
FILE NAME =	USER NAME = nicklaus	DESIGNED -	REVISED - 6-27-14	STATE OF ILLINOIS DEPARTMENT OF TRANSPORTATION	REGION 2 / DISTRICT 2 STANDARD		F.A.I. RTE.	SECTION	COUNTY	TOTAL SHEETS	SHEET NO.	
D:\NPL\nicklaus\FY 19 jobs\Don\188 Struct	res\1-88.covr.dgn	DRAWN -	REVISED - 3-05-12		SCALE: _____	SHEET NO. ___ OF ___ SHEETS	STA. _____ TO STA. _____	88	D2 RS 2019-3	WHITESIDE	15	14
	PLOT SCALE = 1/8" = 1' / in.	CHECKED -	REVISED -								CONTRACT NO. 64N23	
	PLOT DATE = Oct-05-2018 07:50:42 AM	DATE -	REVISED -								FED. ROAD DIST. NO. [ILLINOIS] FED. AID PROJECT	

TYPICAL PAVEMENT MARKINGS



* SEE HIGHWAY STANDARD 781001 FOR SPACING DETAILS.
USE DOUBLE MARKERS WHEN ADT > 20,000.

MULTI-LANE / DIVIDED



• REDUCE TO 40' O.C. ON CURVES WHERE ADVISORY SPEEDS ARE 10 MPH LOWER THAN POSTED SPEEDS.

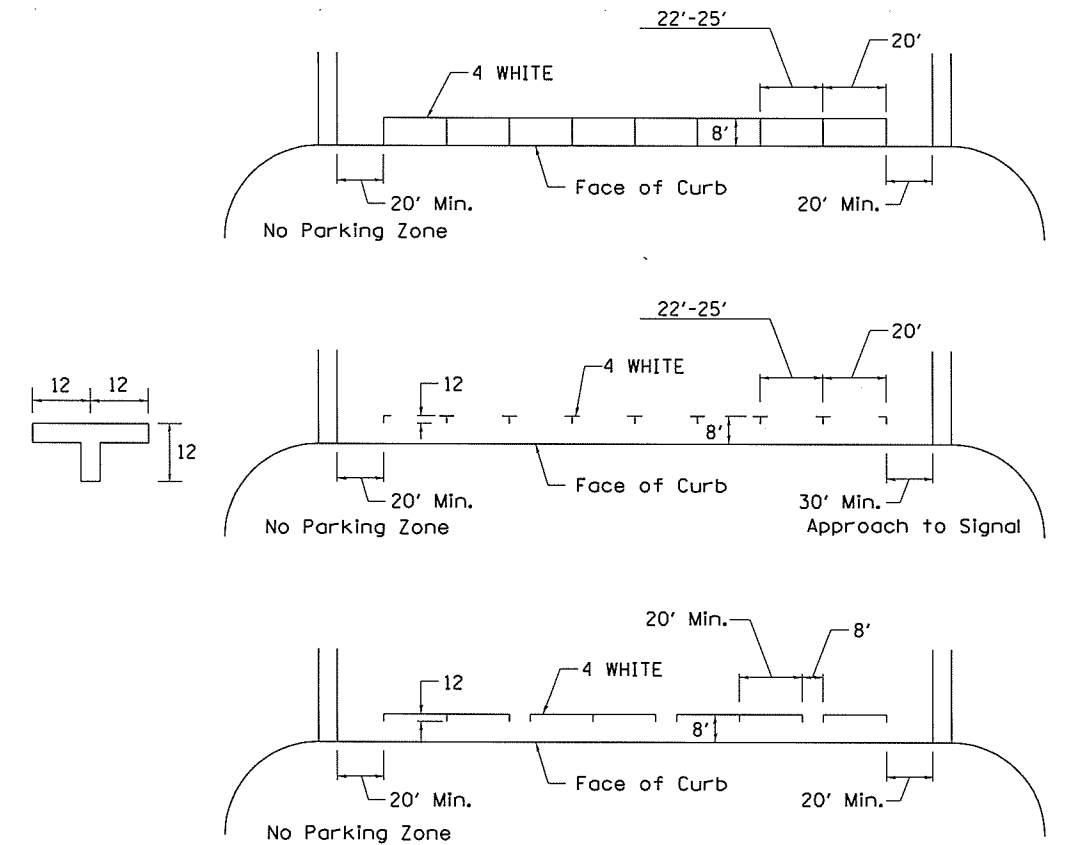
•• USE DOUBLE MARKERS WHEN ADT ≥ 20,000

••• CENTERLINE SKIP DASH PAVEMENT MARKING SPEED LIMIT LESS THAN 40 MPH USE 4" LINE. SPEED LIMIT 40 MPH AND OVER USE 6" LINE.

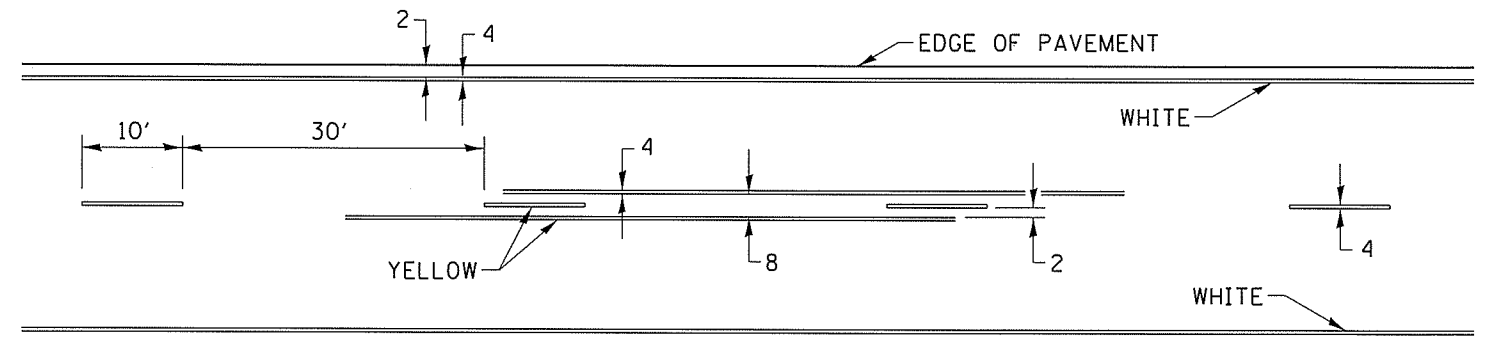
MULTI-LANE / UNDIVIDED & ONE WAY

(FOR MULTI-LANE UNDIVIDED HIGHWAYS USE THIS
DETAIL NOT HIGHWAY STANDARD 781001)

TYPICAL PARKING SPACING



TYPICAL PAVEMENT MARKING FOR TWO LANE SECTION - NO PASSING ZONES



SYMBOLS

FILE NAME =	USER NAME = nicklausie	DESIGNED -	REVISED - 6-27-14	STATE OF ILLINOIS DEPARTMENT OF TRANSPORTATION	REGION 2 / DISTRICT 2 STANDARD	F.A.I. RTE.	SECTION	COUNTY	TOTAL SHEETS	SHEET NO.
0:\NPL\Nicklaus\FY 19 jobs\Don\188 Structures\1-88_covr.dgn	DRAWN -	REVISED - 8-27-13	88			D2 RS 2019-3	WHITESIDE	15	15	
PLOT SCALE = 102.9963' / in.	CHECKED -	REVISED - 11-28-12	CONTRACT NO. 64N23							
PLOT DATE = Oct-05-2018 07:51:08 AM	DATE -	REVISED -	FED. ROAD DIST. NO. [ILLINOIS] FED. AID PROJECT							