

HIGHWAY STANDARDS

000001-07	STANDARD SYMBOLS, ABBREVIATIONS AND PATTERNS
001006	DECIMAL OF AN INCH AND OF A FOOT
420001-09	PAVEMENT JOINTS
442201-03	CLASS C AND D PATCHES
701311-03	LANE CLOSURE, 2L, 2W, MOVING OPERATIONS - DAY ONLY
701501-06	URBAN LANE CLOSURE, 2L, 2W, UNDIVIDED
701901-08	TRAFFIC CONTROL DEVICES
780001-05	TYPICAL PAVEMENT MARKINGS
781001-04	TYPICAL APPLIED RAISED REFLECTIVE PAVEMENT MARKERS

GENERAL NOTES

- ILLINOIS STATE LAW REQUIRES A 48-HOUR NOTICE TO BE GIVEN TO UTILITIES BEFORE DIGGING. FIELD MARKING OF FACILITIES MAY BE OBTAINED BY CONTACTING J.U.L.I.E. (1-800-892-0123, OR 811) OR FOR NON-MEMBERS, THE UTILITY COMPANY DIRECTLY.

	AERIAL	BURIED
*AMEREN ILLINOIS (GAS & ELECTRIC)	x	x
*CITY OF CARROLLTON (WATER & SANITARY SEWER)	x	x
*FRONTIER COMMUNICATIONS (COMMUNICATIONS)	x	
*NEW WAVE COMMUNICATIONS (CABLE TV)	x	

MEMBERS OF J.U.L.I.E. CALL TOLL FREE (800) 892-0123 OR 811 AND ARE INDICATED BY *. NON-J.U.L.I.E. MEMBERS MUST BE NOTIFIED INDIVIDUALLY.

- THE PROPOSED PAVEMENT MARKINGS AND RAISED REFLECTIVE PAVEMENT MARKERS SHALL MATCH THE LOCATIONS, AND AS DIRECTED BY THE ENGINEER.
- THE CONTRACTOR AND THE ENGINEER SHALL BE AWARE THAT NO SURVEY WAS PERFORMED FOR THIS PROJECT. THE STATIONING, TOPOGRAPHY, AND QUANTITIES SHOWN IN THE PLANS WERE CREATED USING MICROFILM AND FIELD MEASUREMENTS, ALL SHALL BE ASSURED TO BE APPROXIMATE. THE CONTRACTOR SHALL VERIFY DIMENSIONS AND CONDITIONS IN THE FIELD PRIOR TO CONSTRUCTION AND ORDERING OF MATERIALS.
- THE ENGINEER SHALL CONTACT THE FIELD ENGINEER CRAIG POETKER AT (618) 346-3279 PRIOR TO MARKING PATCHING LOCATIONS.
- FLAGGERS SHALL BE REQUIRED AT ALL TIMES DURING PATCHING OPERATION.
- LONGITUDINAL DIMENSIONS MAY BE ADJUSTED TO FIT FIELD CONDITIONS. THE LATERAL PLACEMENT OF THE FLAGGER MAY BE VARIED FROM THAT SHOWN.
- NO OVERNIGHT LANE CLOSURES SHALL BE PERMITTED.

THE FOLLOWING MIXTURE REQUIREMENTS ARE APPLICABLE FOR THIS PROJECT:

MIXTURE USE	PATCHING
AC/PG	PG 64-22
RAP % (MAX)	SEE SPECIAL PROVISION
DESIGN AIR VOIDS	4.0% @ Ndes=70
MIX COMPOSITION (GRADATION)	IL 19.0
FRICTION AGG	MIXTURE "B"
QUALITY MGMT PROGRAM	QC/QA

PLAN QUANTITIES FOR HOT-MIX ASPHALT SURFACE COURSE ITEMS ARE CALCULATED USING A UNIT WEIGHT OF 112 LB/SQ YD/IN.

COMMITMENTS

NONE

MODEL: Default
FILE NAME: P:\MIL08\FEB\NTEC\Illinois.gov\PWIDOT\Documents\DOT_Offices\District 8\Projects\0876M08\CADD\data\CAD\sheet\0876M08-sht-pmt.dgn

USER NAME = rosarioai	DESIGNED -	REVISED -
	DRAWN -	REVISED -
PLOT SCALE = 100.0000' / in.	CHECKED -	REVISED -
PLOT DATE = 10/11/2018	DATE -	REVISED -

**STATE OF ILLINOIS
DEPARTMENT OF TRANSPORTATION**

**HIGHWAY STANDARDS, GENERATL NOTES
AND COMMITMENTS**

SCALE: NTS SHEET 1 OF 1 SHEETS STA. TO STA.

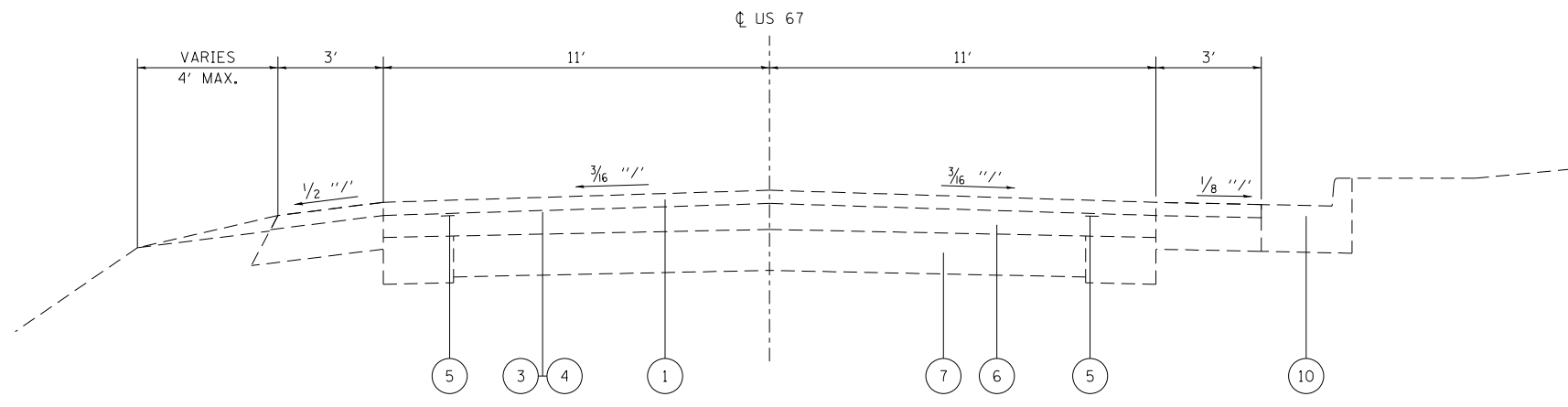
F.A.S. RTE.	SECTION	COUNTY	TOTAL SHEETS	SHEET NO.
743	(53,54,55)PP-1	GREENE	6	2
			CONTRACT NO. 76M08	
ILLINOIS FED. AID PROJECT				

MODEL: Default
 FILE NAME: P:\1108\B&E\BIDD\ITEC\Illinois\gov\PI\DOT\Documents\DOT_Offices\Director\B\Projects\0776M08\CADD\staCAD\chres\0776M08-stc-500-NEW.dgn

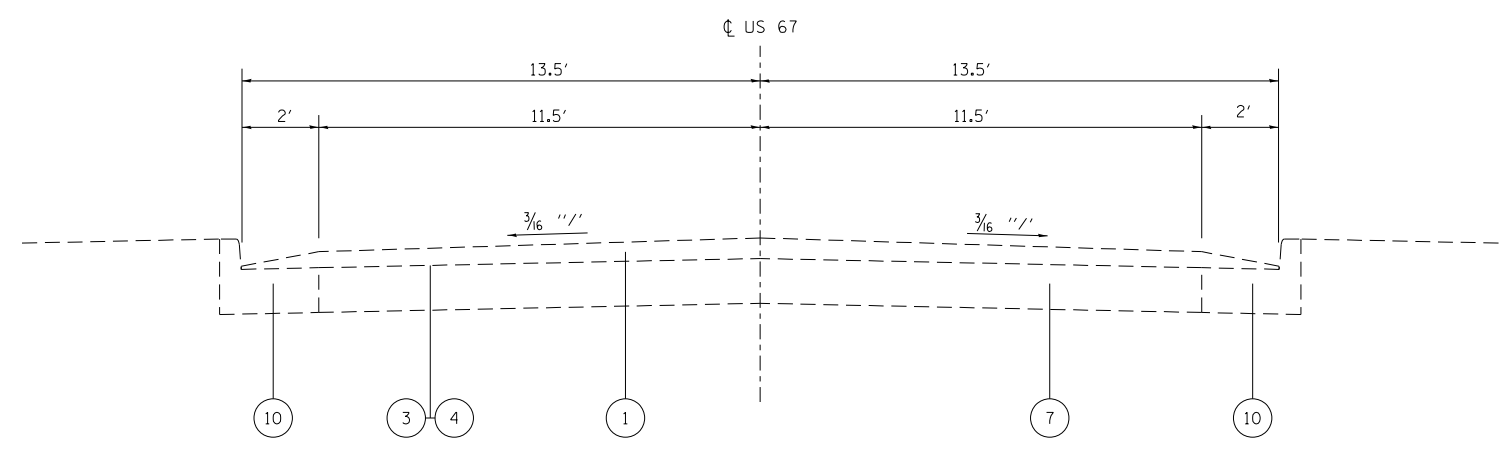
CODE NO.	ITEM	UNIT	TOTAL QUANTITY	100% STATE	CONSTR. CODE
					ROADWAY 0005 S.N.
44201785	CLASS D PATCHES, TYPE I, 12 INCH	SQ YD	60		60
44201789	CLASS D PATCHES, TYPE II, 12 INCH	SQ YD	94		94
44201794	CLASS D PATCHES, TYPE III, 12 INCH	SQ YD	92		92
67100100	MOBILIZATION	L SUM	1		1
70102620	TRAFFIC CONTROL AND PROTECTION, STANDARD 701501	L SUM	1		1
* 78001110	PAINT PAVEMENT MARKING - LINE 4"	FOOT	316		316
* 78100100	RAISED REFLECTIVE PAVEMENT MARKER	EACH	23		23

* SPECIALTY ITEM

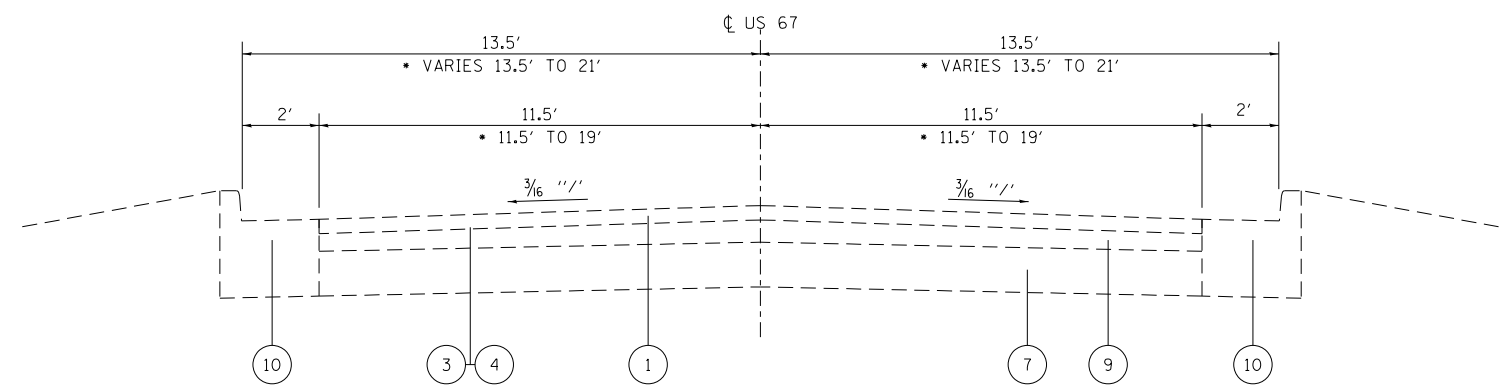
USER NAME = rosarioai	DESIGNED -	REVISED -	STATE OF ILLINOIS DEPARTMENT OF TRANSPORTATION	SUMMARY OF QUANTITIES				F.A.S. RTE.	SECTION	COUNTY	TOTAL SHEETS	SHEET NO.
DRAWN -	REVISED -	743						(53,54,55)PP-1	GREENE	6	3	
PLOT SCALE = 100,0000 ' / in.	CHECKED -	REVISED -		SCALE: NTS SHEET 1 OF 1 SHEETS STA. TO STA.				CONTRACT NO. 76M08				
PLOT DATE = 10/15/2018	DATE -	REVISED -		ILLINOIS FED. AID PROJECT								



STA. 680+70.27 TO STA. 683+72.70



STA. 683+72.70 TO STA. 693+20.87



STA. 693+20.87 TO STA. 700+52.49
 • STA. 700+52.49 TO STA. 701+64.04

- LEGEND**
- ① EXISTING HMA SURFACE COURSE, 2 1/4"
 - ② EXISTING HMA SURFACE COURSE, 2 1/2"
 - ③ EXISTING BITUMINOUS MATERIALS (PRIME COAT)
 - ④ EXISTING AGGREGATE (PRIME COAT)
 - ⑤ EXISTING STRIP REFLECTIVE CRACK CONTROL TREATMENT
 - ⑥ EXISTING HMA - ± 6"
 - ⑦ EXISTING P.C.C. PAVEMENT - ± 7"
 - ⑧ EXISTING BRICK PAVEMENT
 - ⑨ EXISTING HMA SURFACE COURSE, - ± 5 1/2"
 - ⑩ EXISTING CURB AND GUTTER

MODEL: Default
 FILE: \\nashc-pw\illinois\dotnet\illinois\pwr\pwr\DOT\Documents\DOT_Offices\Director\B\Projects\0776M08\CADD\Sheet\0776M08-shc-ssht.dgn

USER NAME = rosarioai	DESIGNED -	REVISED -
PLOT SCALE = 100.0000' / in.	DRAWN -	REVISED -
PLOT DATE = 10/11/2018	CHECKED -	REVISED -
	DATE -	REVISED -

**STATE OF ILLINOIS
 DEPARTMENT OF TRANSPORTATION**

EXISTING TYPICAL SECTIONS

SCALE: NTS SHEET 1 OF 2 SHEETS STA. TO STA.

F.A.S. RTE.	SECTION	COUNTY	TOTAL SHEETS	SHEET NO.
743	(53,54,55)PP-1	GREENE	6	4
CONTRACT NO. 76M08				
ILLINOIS FED. AID PROJECT				

MODEL: Default
 FILE: \\nlsr01\B&E\BID\NTEC\Illinois\gov\PI\DOT\Documents\DOT_Offices\DI\ierfct 8\Projects\0776M08\CADD\staCAD\checres\0776M08-htc-plan.dgn

PATCHING SCHEDULE							
LOCATION	NB/SB	LENGTH	WIDTH	CLASS D PATCHING, 12"			
		FT	FT	TYPE I	TYPE II	TYPE III	
US 67 Carrollton 93' N. of North Main St	NB	8	11		10		
US 67 Carrollton 5' N. of Church St.	NB	15	11			19	
US 67 Carrollton 190' N. of Church St.	SB	6	11		8		
US 67 Carrollton 35' N. of Church St.	SB	18	11			22	
US 67 Carrollton 18' S. of Church St.	SB	4	11	5			
US 67 Carrollton 42' S. of Church St.	SB	6	11		8		
US 67 Carrollton 56' S. of Church St.	SB	9	11		11		
US 67 Carrollton 162' N. of Sycamore St.	NB	9	11		11		
US 67 Carrollton 182' S. of Maple St.	NB	5	11		7		
US 67 Carrollton 207' S. of Maple St.	SB	6	11		8		
US 67 Carrollton 141' N. of Sycamore St.	SB	4	11	5			
US 67 Carrollton 89' N. of Sycamore St.	SB	4	11	5			
US 67 Carrollton 62' N. of Sycamore St.	SB	4	11	5			
US 67 Carrollton 63' S. of Sycamore St.	SB	4	11	5			
US 67 Carrollton 127' N. of School St.	SB	4	11	5			
US 67 Carrollton 109' N. of School St.	SB	4	11	5			
US 67 Carrollton 52' N. of School St.	SB	14	11			18	
US 67 Carrollton 26' N. of School St.	SB	4	11	5			
US 67 Carrollton 60' N. of School St.	NB	6	11		8		
US 67 Carrollton 127' S. of Sycamore St.	NB	5	11		7		
US 67 Carrollton 89' S. of Sycamore	NB	4	11	5			
US 67 Carrollton 145' S. of Sycamore	NB	4	11	5			
US 67 Carrollton 150' N. of Pine St.	NB	29	5			17	
SUBTOTAL					50	78	76
20% FOR ANTICIPATED FAILURES					10	16	16
TOTAL					60	94	92

USER NAME = rosarioai	DESIGNED -	REVISED -
	DRAWN -	REVISED -
PLOT SCALE = 100,0000' / in.	CHECKED -	REVISED -
PLOT DATE = 10/11/2018	DATE -	REVISED -

**STATE OF ILLINOIS
 DEPARTMENT OF TRANSPORTATION**

SCHEDULE OF QUANTITIES

SCALE: NTS SHEET 1 OF 1 SHEETS STA. TO STA.

F.A.S. RTE.	SECTION	COUNTY	TOTAL SHEETS	SHEET NO.
743	(53,54,55)PP-1	GREENE	6	6
CONTRACT NO. 76M08			ILLINOIS FED. AID PROJECT	