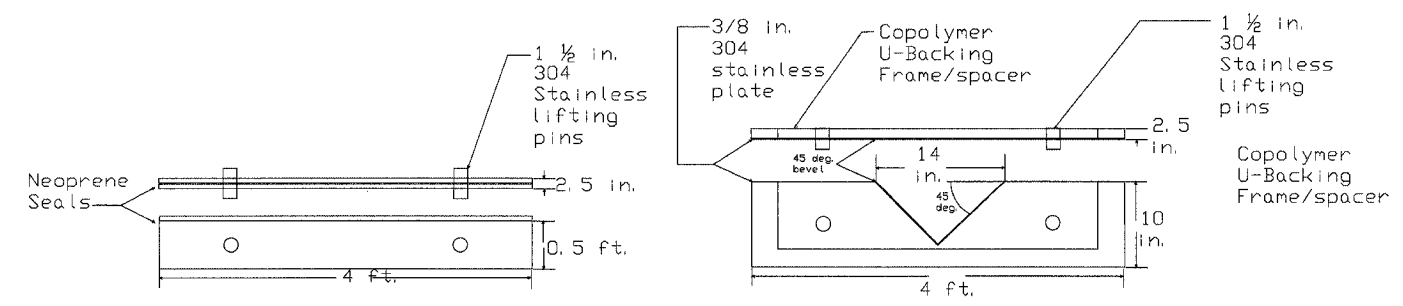
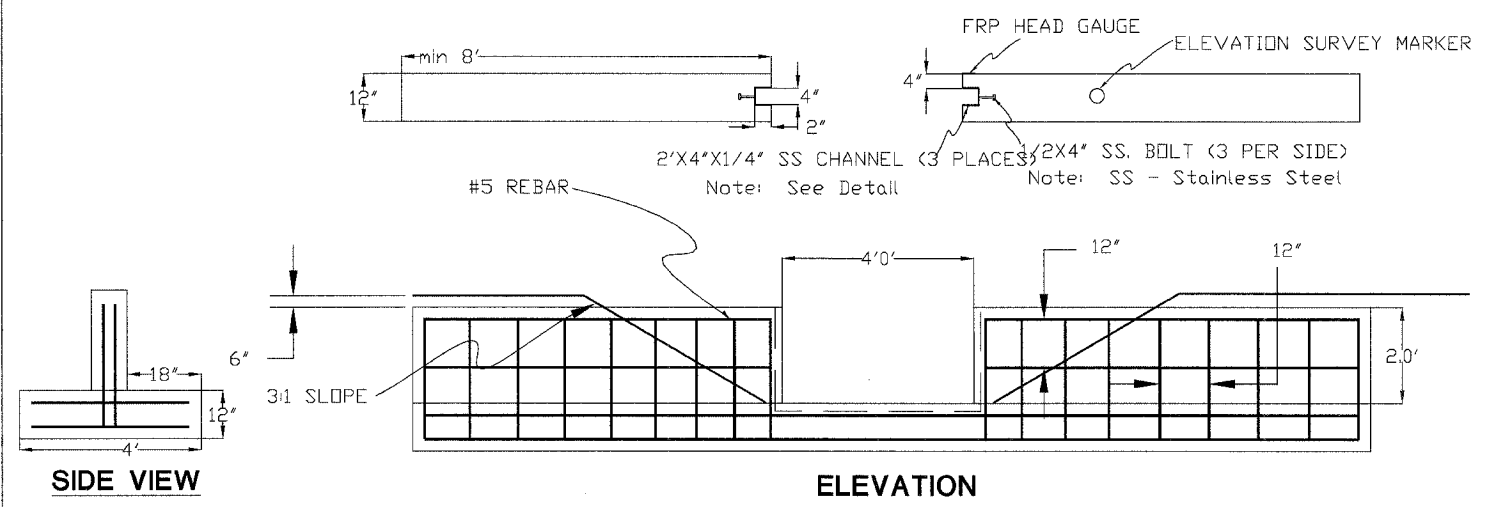


**STOP-LOG CHANNEL DETAILS**

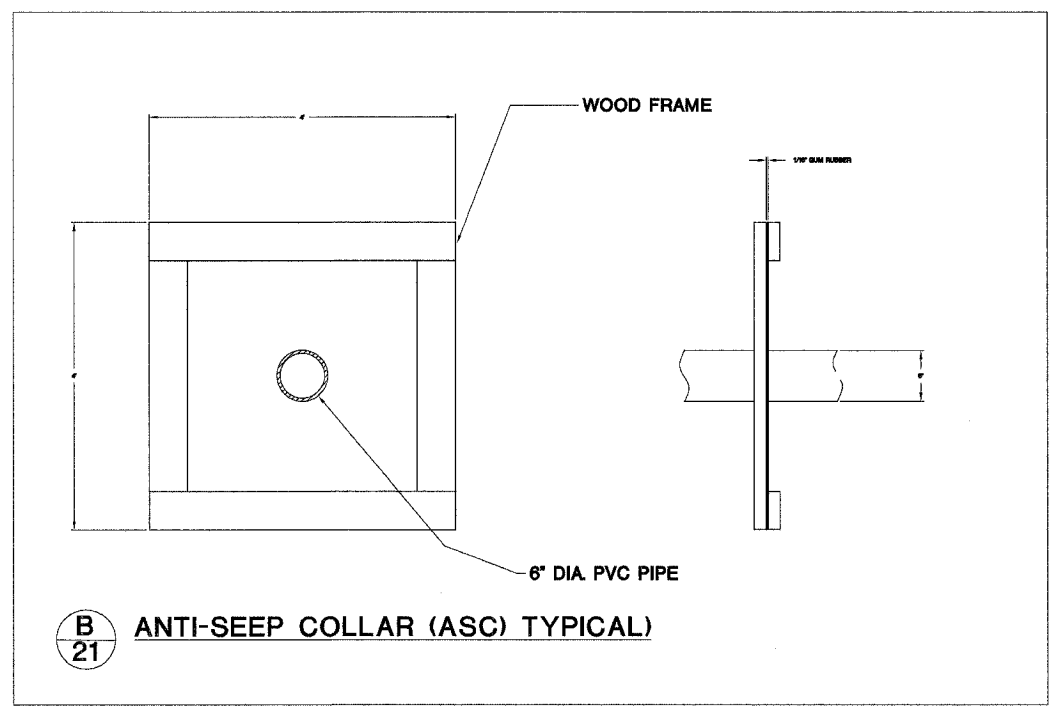


**COPOLYMER STOP LOG DETAILS**

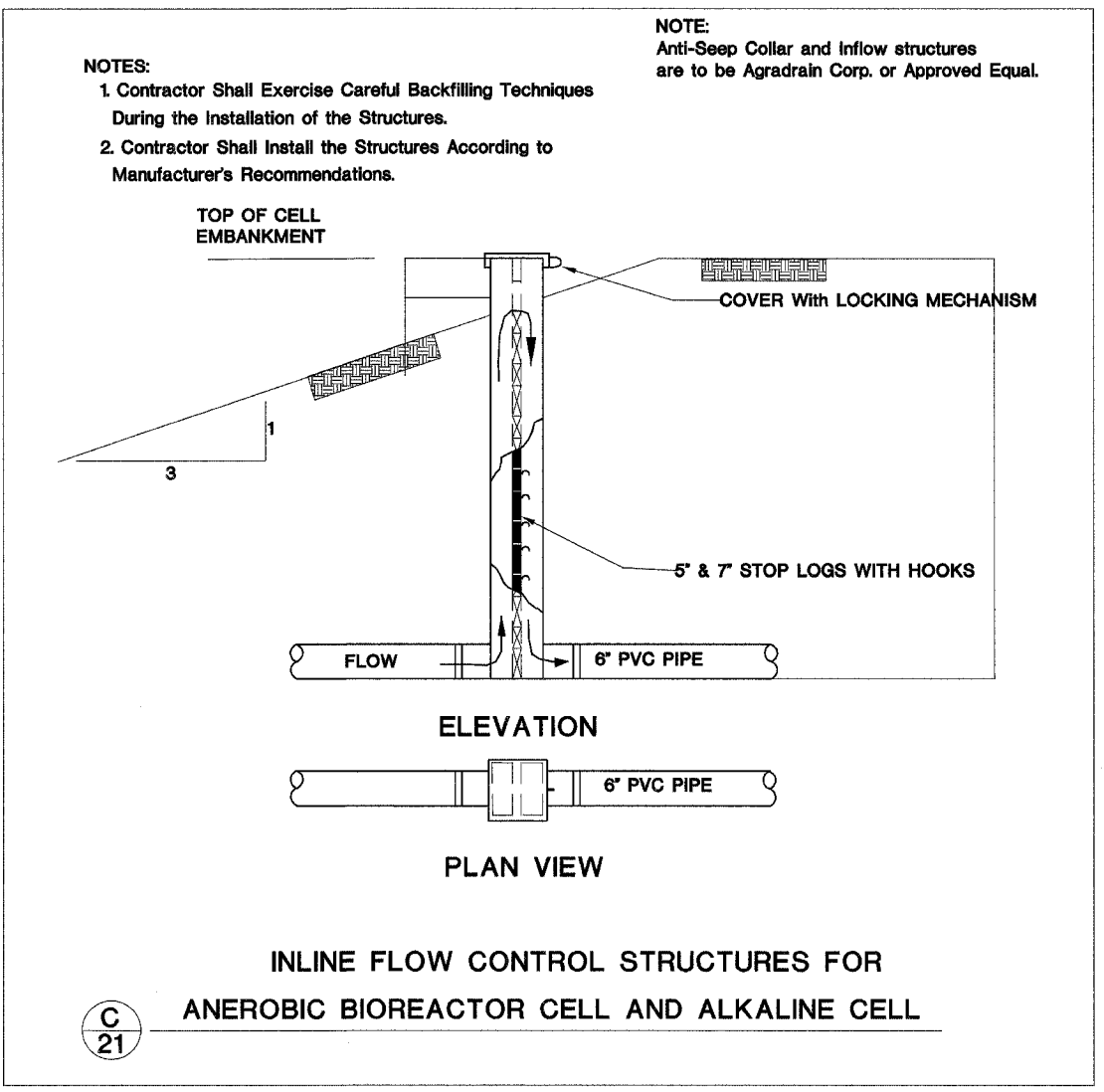
**WIER PLATE DETAILS**



**A**  
**21** **WETLANDS STOP-LOG STRUCTURE DETAIL**  
NOT TO SCALE



**B**  
**21** **ANTI-SEEP COLLAR (ASC) TYPICAL**



**C**  
**21** **INLINE FLOW CONTROL STRUCTURES FOR ANEROBIC BIOREACTOR CELL AND ALKALINE CELL**