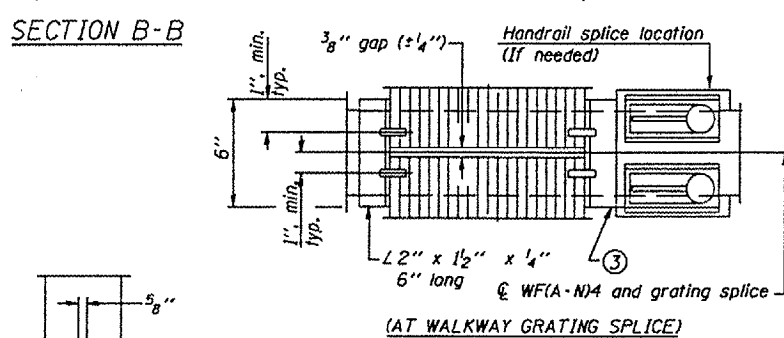
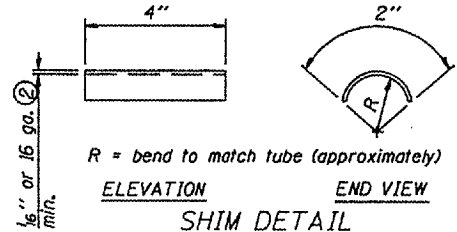
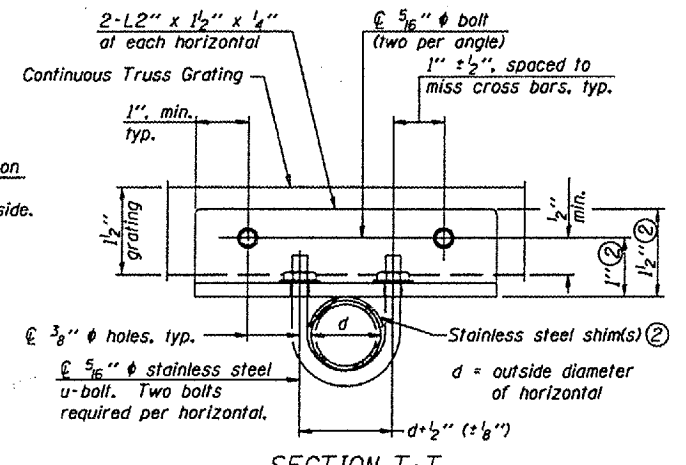
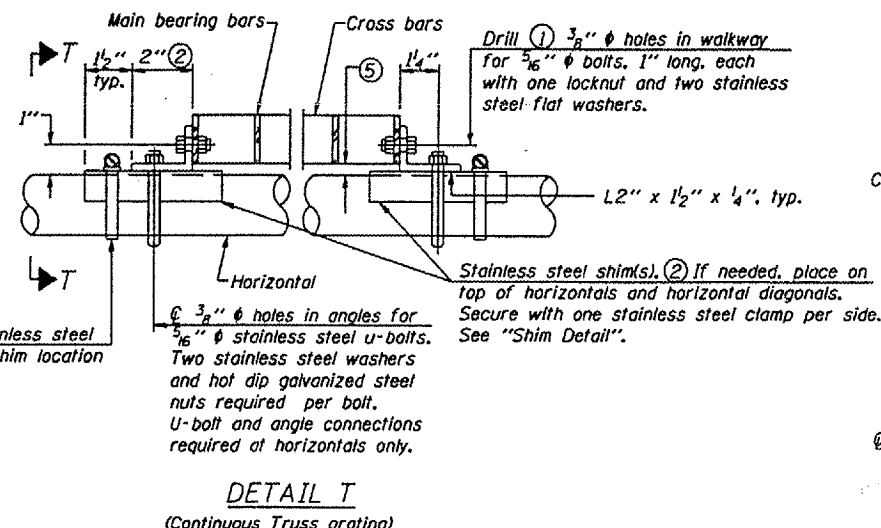
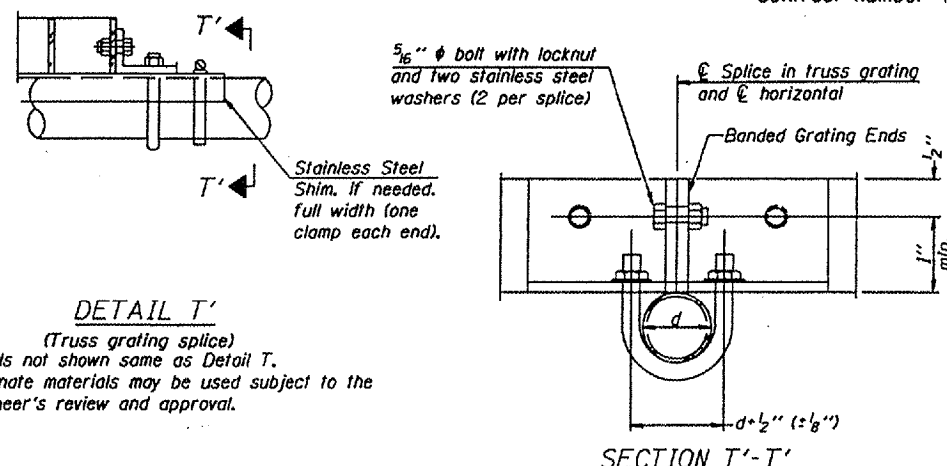
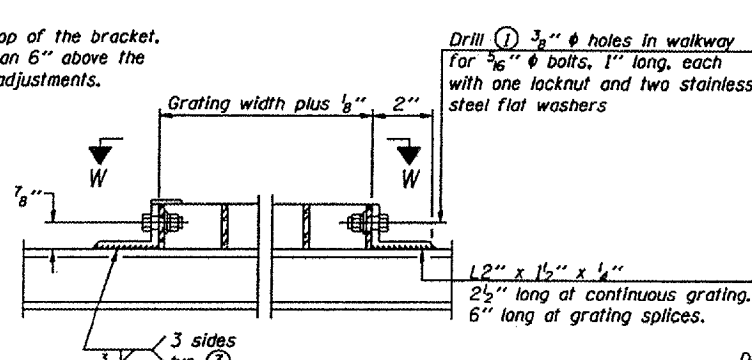
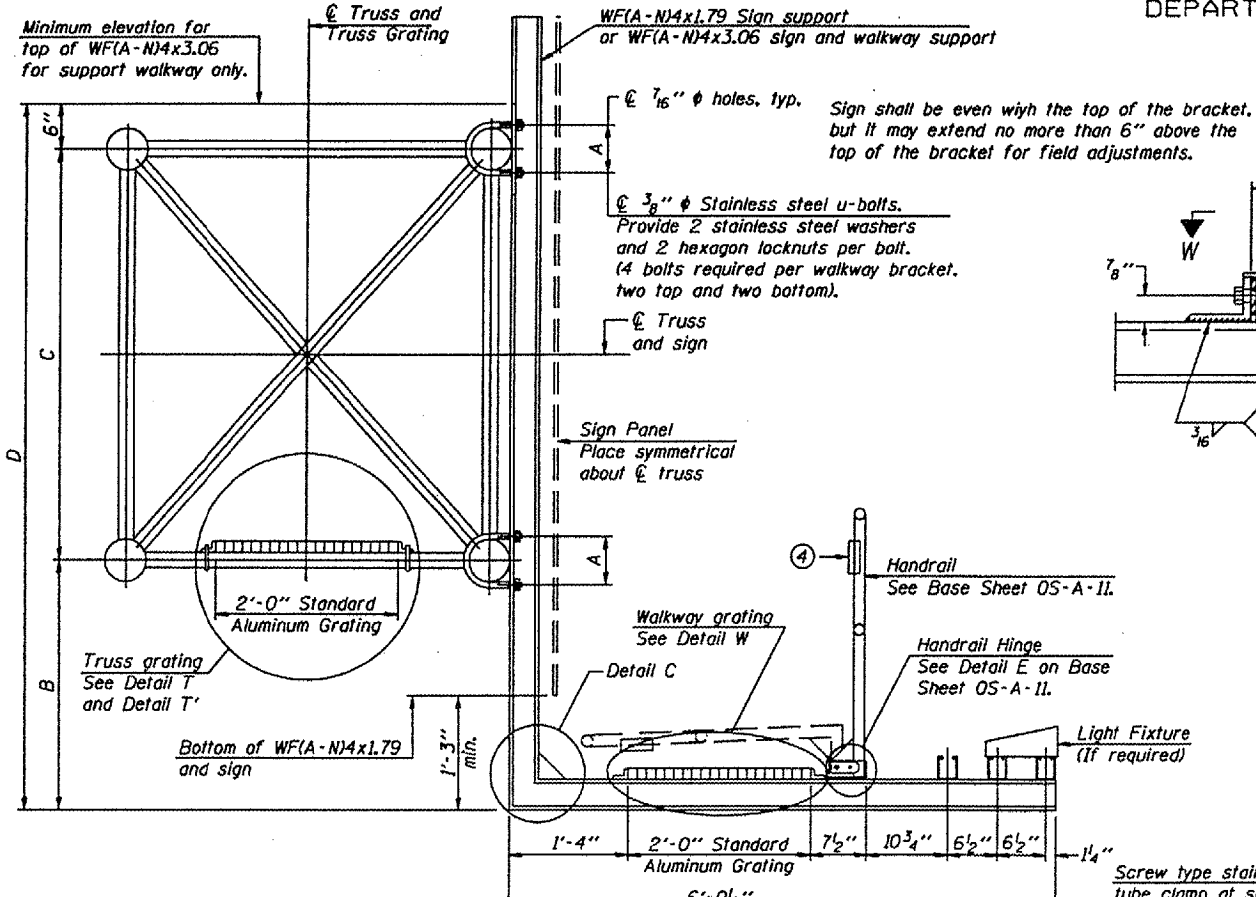


STATE OF ILLINOIS
DEPARTMENT OF TRANSPORTATION

Various Routes
OVD SIN STR REP & REPL 2007-9
Various Counties
Sheet 37 of 50
Contract Number 44933



SPECIFICATIONS FOR STANDARD ALUMINUM GRATING

Main Bearing Bars shall be 3/8" x 1 1/2" on 1 3/8" centers and conform to ASTM B221 Alloy 6061-T6.

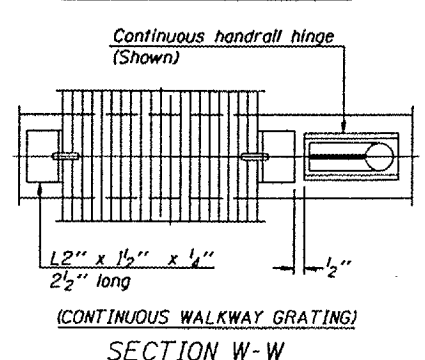
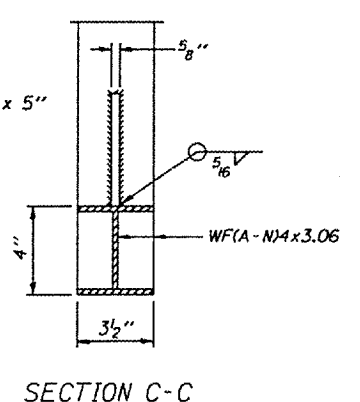
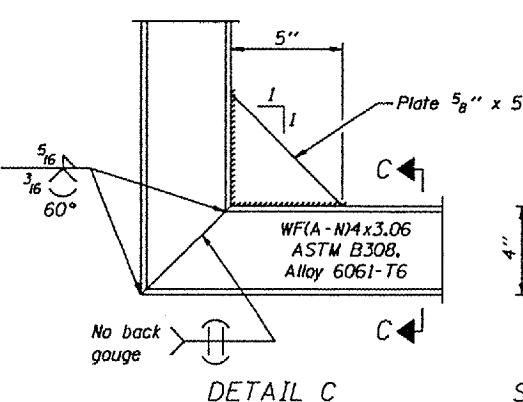
Cross bars shall be 3/8" x 1 1/2" on 4" centers and conform to ASTM B221 Alloy 6063-T5 or 6061-T6.

OR

Aluminum Grating with modified "T" sections for main bearing bars shall meet the following requirements:

Main bars shall conform to ASTM B221 Alloy 6061-T6 and have a minimum section modulus equal to 0.0705 in.³ per bar, a depth of 1 1/2", spaced on 1 3/8" centers.

Cross bars shall conform to ASTM B221 Alloy 6063-T5 or T-42 and spaced on 4" centers.



DESIGNED -	20
CHECKED -	EXAMINED
DRAWN -	PASSED
CHECKED -	

OS-A-10 7/01/2006

NUMBER	REVISION	DATE

Structure Number	Station	A	B	C	D

Existing Walkway and Walkway Support Brackets to be Reused.

OVERHEAD SIGN STRUCTURES
ALUMINUM WALKWAY DETAILS

District 6
Overhead Sign
Structure Replacement