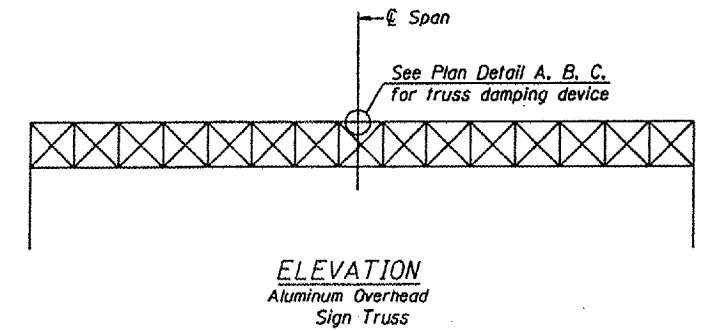
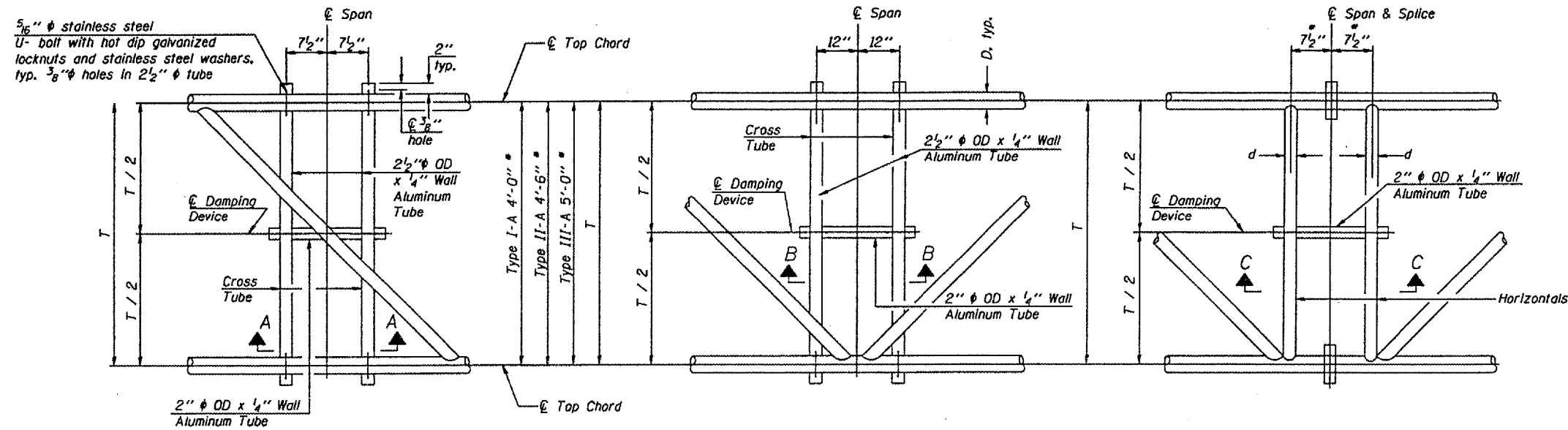


Center of horizontal to center of splice dimension may vary. Verify before drilling holes in mounting tube.

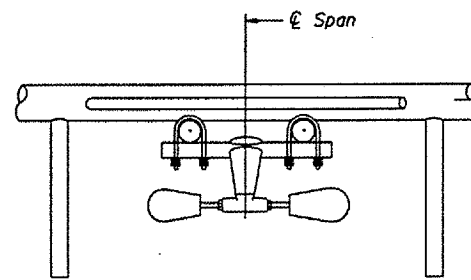


NOTES
Damper: One damper per truss.
(31 lbs. Stockbridge-Type Aluminum)
Cost included in Overhead Sign Structure...
Materials: Aluminum tubes shall be ASTM B221 alloy 6061 temper T6. Cost included in Overhead Sign Structure...

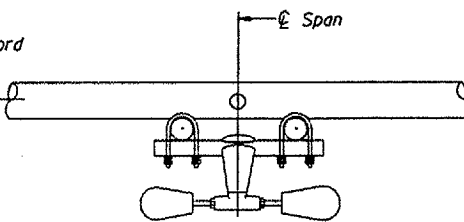
PLAN DETAIL "A"
Span between Panel Points

PLAN DETAIL "B"
Span at Panel Point

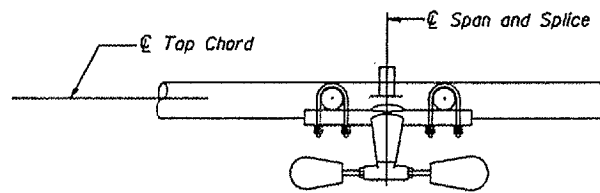
PLAN DETAIL "C"
Span at Chord Splice



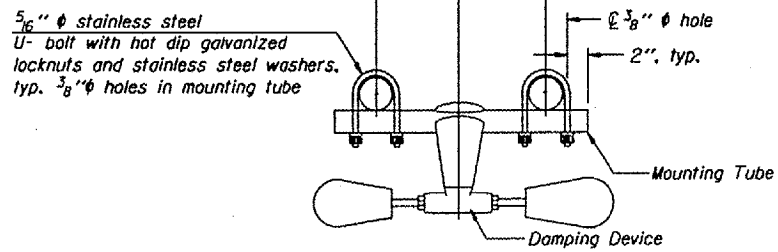
SECTION A-A



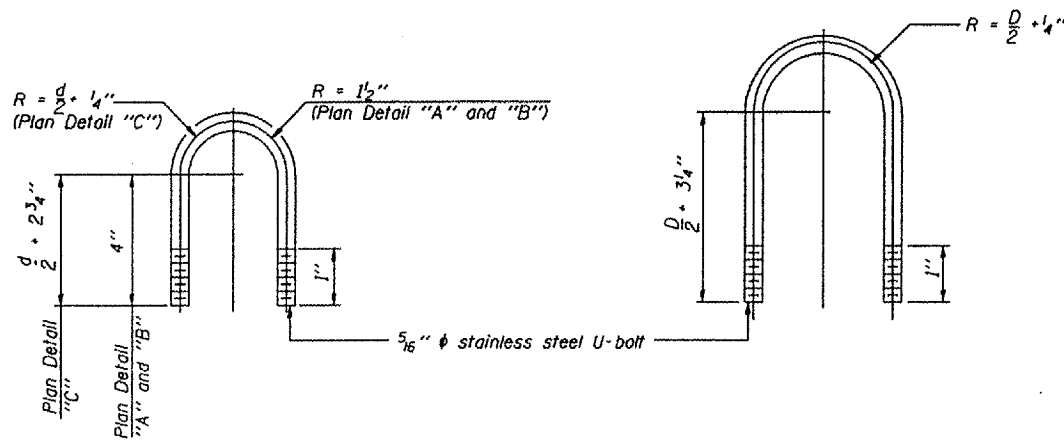
SECTION B-B



SECTION C-C



TRUSS DAMPING
DEVICE CONNECTION DETAIL
(Typical)



DAMPING DEVICE MOUNTING
TUBE U-BOLT DETAIL
(Typical)

TOP CHORD TO CROSS TUBE
U-BOLT DETAIL
(Typical - Detail "A" and "B")

| | |
|------------|------------------------------------|
| DESIGNED - | 20 |
| CHECKED - | EXAMINED |
| DRAWN - | PASSED |
| CHECKED - | ENGINEER OF BRIDGES AND STRUCTURES |

OS-A-D

7/01/2006

OVERHEAD SIGN STRUCTURE
DAMPING DEVICE

District 8
Overhead Sign Structure
Repair and Replacement