

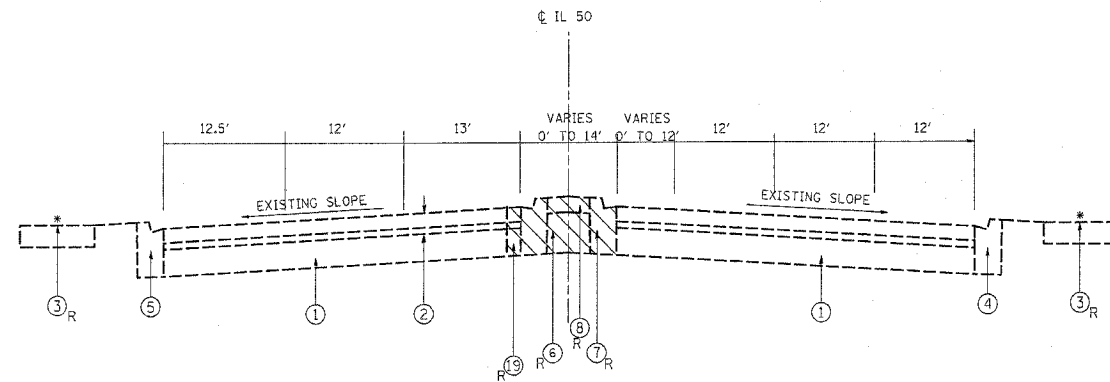
F.A.P. RTE.	SECTION	COUNTY	TOTAL SHEETS	SHEET NO.
350	101 TS-2	COOK	26	5
STA. 45+67		TO STA. 49+59		
FED. ROAD DIST. NO. 1		ILLINOIS FED. AID PROJECT		

LEGEND

- ① EXISTING PCC BASE COURSE, 15"( $\pm$ )
- ② EXISTING HOT-MIX ASPHALT SURFACE COURSE, 3"( $\pm$ )
- ③ EXISTING PCC SIDEWALK, 7"
- ④ EXISTING COMBINATION CONC. CURB & GUTTER, TYPE B-6.12
- ⑤ EXISTING COMBINATION CONC. CURB & GUTTER, TYPE B-6.24
- ⑥ EXISTING CRUSHED STONE
- ⑦ EXISTING PC CONCRETE CURB
- ⑧ EXISTING CONCRETE MEDIAN SURFACE
- ⑨ PROPOSED PCC SIDEWALK, 7"
- ⑩ PROPOSED CONCRETE CURB AND GUTTER, TYPE B-6.12 (SPECIAL)
- ⑪ PROPOSED 1 1/2" HOT-MIX ASPHALT SURF. CRSE, MIX "D", N70
- ⑫ PROPOSED 1" LEVELING BINDER (HM), N70
- ⑬ PROPOSED 15 1/2" PCC BASE COURSE
- ⑭ SUB-BASE GRANULAR MATERIAL, TYPE B 4"
- ⑮ PROPOSED CONCRETE MEDIAN SURFACE, 4"

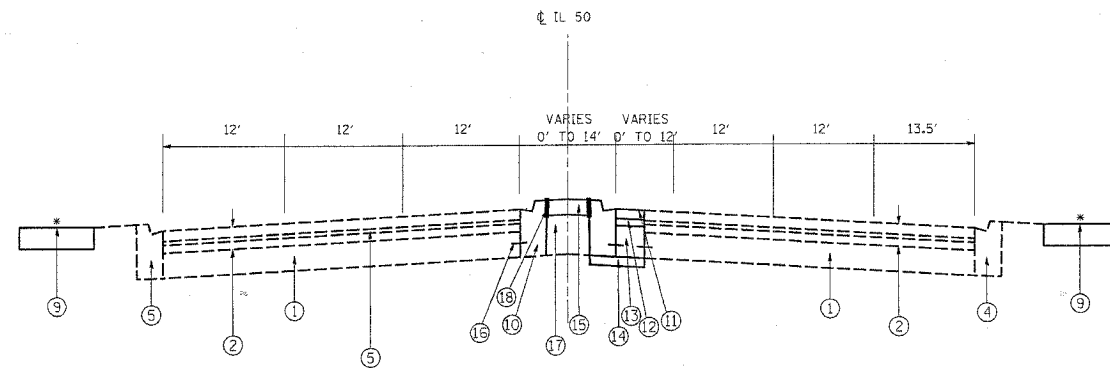
- ⑯ PROP. DRILL AND GROUT #4 TIE BAR, SHAPE (24" C-C), COST INCLUDED IN CONCRETE CURB AND GUTTER, TYPE B-6.12 PAY ITEM
- ⑰ PROP. COARSE AGGREGATE - FILL TO SUBGRADE (TYP.) COST INCLUDED IN CONC. MEDIAN SURFACE 4" PAY ITEM
- ⑱ PROP. 5/8" PREFORMED EXPANSION JOINT FILLER - COST INCLUDED IN CONCRETE CURB AND GUTTER, TYPE B-6.12 PAY ITEM
- ⑲ PAVEMENT REMOVAL (VARIES FROM 0' TO 2')
- ⑳ CONCRETE MEDIAN TYPE SB-6.12 (SPECIAL)  
R- DESIGNATED FOR REMOVAL

NOTES:  
 \* SEE ROADWAY PLAN SHEETS FOR SIDEWALK REMOVAL AND REPLACEMENT LOCATIONS  
 ITEMS 11-13 HAVE A VARIABLE WIDTH FROM 0' TO 5'  
 ANY SUB-BASE GRANULAR MATERIAL UNDER THE CURB AND GUTTER SHALL NOT BE PAID FOR SEPARATELY BUT WILL BE CONSIDERED AS INCLUDED IN THE COST PER SQUARE YARD OF "SUB-BASE GRANULAR MATERIAL, TYPE B 4"



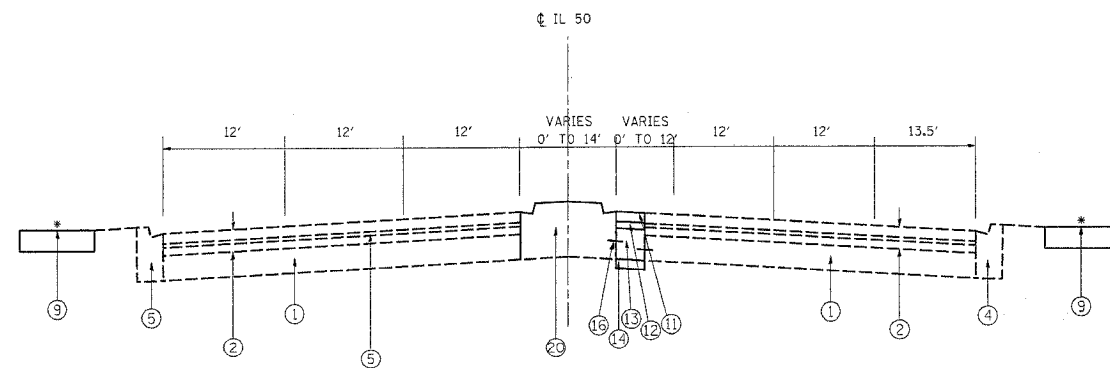
EXISTING TYPICAL SECTION  
IL 50

STATION  
45+67 TO 49+59



PROPOSED TYPICAL SECTION  
IL 50

STATION  
45+67 TO 47+47



PROPOSED TYPICAL SECTION  
IL 50

STATION  
47+47 TO 49+59

BITUMINOUS MIXTURE REQUIREMENTS

MIXTURE USE	AC TYPE	MAX RAP. (%)	AIR VOIDS (%)
LEVELING BINDER (HM), N70	PG 64-22/ 58-22	15/25%	4% @ 70 GYR
HOT-MIX ASPHALT SURFACE COURSE, MIX "D" N70	PG 64-22	10/15%	4% @ 70 GYR

THE UNIT WEIGHT USED TO CALCULATE ALL HOT-MIX ASPHALT SURFACE MIXTURE QUANTITIES IS 112 LBS/SQ YD/IN

WHEN RAP EXCEEDS 20%, THE NEW ASPHALT BINDER IN THE MIX SHALL BE PG 58-22

REVISIONS		ILLINOIS DEPARTMENT OF TRANSPORTATION
NAME	DATE	
		TYPICAL SECTIONS  SCALE: VERT. _____ HORIZ. _____ DATE _____ DRAWN BY _____ CHECKED BY _____

PLOT DATE = 10/25/2006  
 FILE NAME = c:\proposals\128485\dsugrao.m32  
 PLOT SCALE = 50.0000' / IN.  
 USER NAME = emtk1