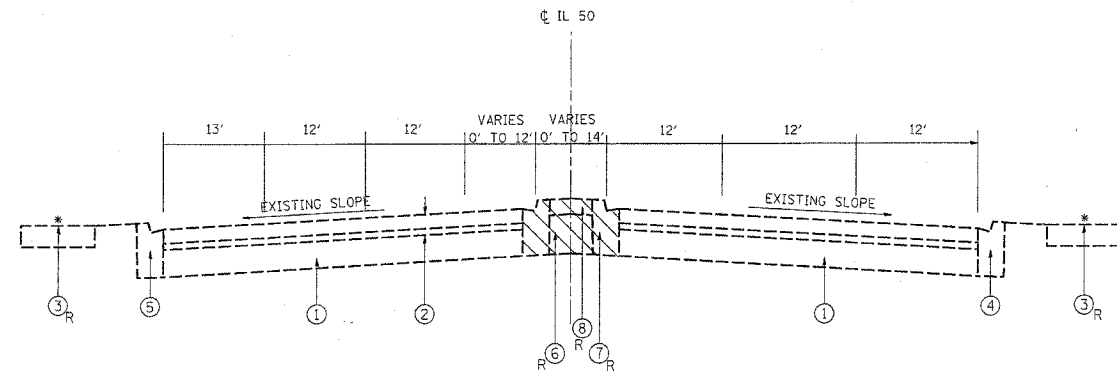
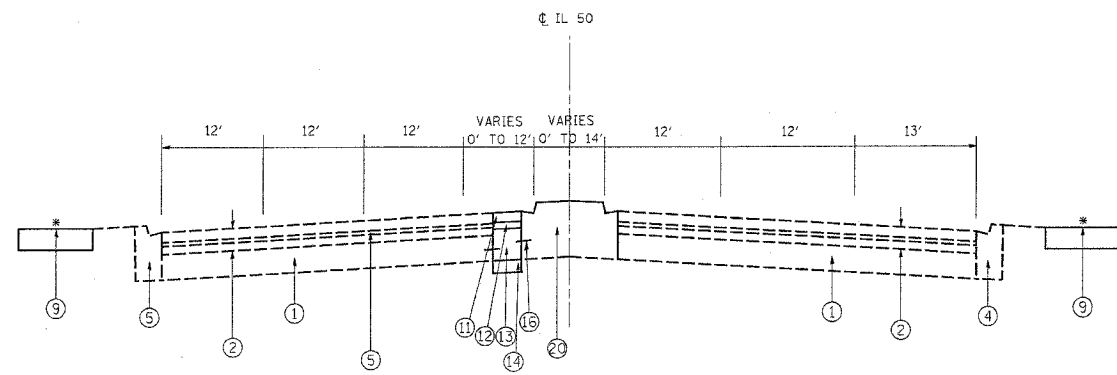


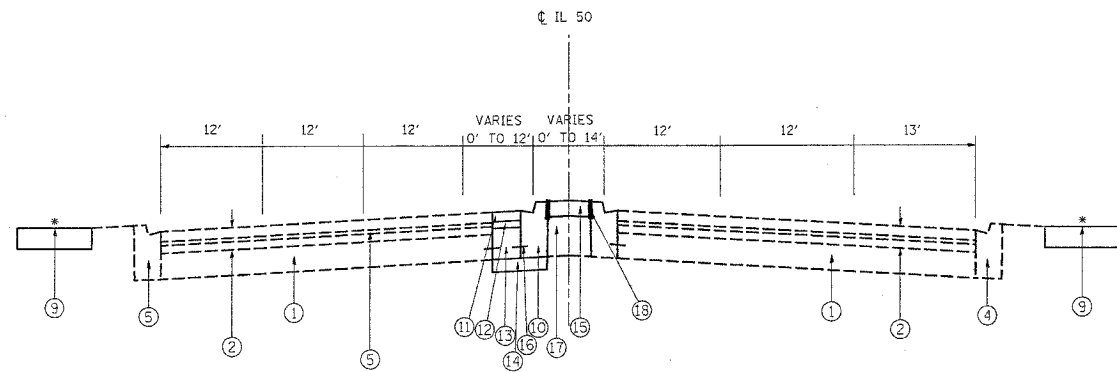
F.A.P. RTE.	SECTION	COUNTY	TOTAL SHEETS	SHEET NO.
350	101 TS-2	COOK	26	6
STA. 50+58		TO STA. 54+26		
FED. ROAD DIST. NO. 1		ILLINOIS	FED. AID PROJECT	



EXISTING TYPICAL SECTION
IL 50
STATION
50+58 TO 54+26



PROPOSED TYPICAL SECTION
IL 50
STATION
50+58 TO 52+61



PROPOSED TYPICAL SECTION
IL 50
STATION
52+61 TO 54+26

LEGEND

- ① EXISTING PCC BASE COURSE, 15" (±)
- ② EXISTING HOT-MIX ASPHALT SURFACE COURSE, 3" (±)
- ③ EXISTING PCC SIDEWALK, 7"
- ④ EXISTING COMBINATION CONC. CURB & GUTTER, TYPE B-6.12
- ⑤ EXISTING COMBINATION CONC. CURB & GUTTER, TYPE B-6.24
- ⑥ EXISTING CRUSHED STONE
- ⑦ EXISTING PC CONCRETE CURB
- ⑧ EXISTING CONCRETE MEDIAN SURFACE
- ⑨ PROPOSED PCC SIDEWALK, 7"
- ⑩ PROPOSED CONCRETE CURB AND GUTTER, TYPE B-6.12 (SPECIAL)
- ⑪ PROPOSED 1 1/2" HOT-MIX ASPHALT SURF. CRSE, MIX "D", N70
- ⑫ PROPOSED 1" LEVELING BINDER (HM), N70
- ⑬ PROPOSED 15 1/2" PCC BASE COURSE
- ⑭ SUB-BASE GRANULAR MATERIAL, TYPE B 4"
- ⑮ PROPOSED CONCRETE MEDIAN SURFACE, 4"
- ⑯ PROP. DRILL AND GROUT #4 TIE BAR, SHAPE (24" C-C), COST INCLUDED IN CONCRETE CURB AND GUTTER, TYPE B-6.12 PAY ITEM
- ⑰ PROP. COARSE AGGREGATE - FILL TO SUBGRADE (TYP.) COST INCLUDED IN CONC. MEDIAN SURFACE 4" PAY ITEM
- ⑱ PROP. 5/8" PREFORMED EXPANSION JOINT FILLER - COST INCLUDED IN CONCRETE CURB AND GUTTER, TYPE B-6.12 PAY ITEM
- ⑲ PAVEMENT REMOVAL (VARIES FROM 0' TO 2')
- ⑳ CONCRETE MEDIAN TYPE SB-6.12 (SPECIAL)
- R- DESIGNATED FOR REMOVAL

NOTES:

* SEE ROADWAY PLAN SHEETS FOR SIDEWALK REMOVAL AND REPLACEMENT LOCATIONS

ITEMS 11-13 HAVE A VARIABLE WIDTH FROM 0' TO 4'

ANY SUB-BASE GRANULAR MATERIAL UNDER THE CURB AND GUTTER SHALL NOT BE PAID FOR SEPARATELY BUT WILL BE CONSIDERED AS INCLUDED IN THE COST PER SQUARE YARD OF "SUB-BASE GRANULAR MATERIAL, TYPE B 4"

REVISIONS		ILLINOIS DEPARTMENT OF TRANSPORTATION
NAME	DATE	
		TYPICAL SECTIONS

SCALE: VERT. _____
HORIZ. _____
DATE _____ DRAWN BY _____
CHECKED BY _____

PLOT DATE = 10/25/2005
 FILE NAME = C:\pwork\2005\1028482\design\000002
 PLOT SCALE = 50.0000 / IN.
 USER NAME = mshah1