

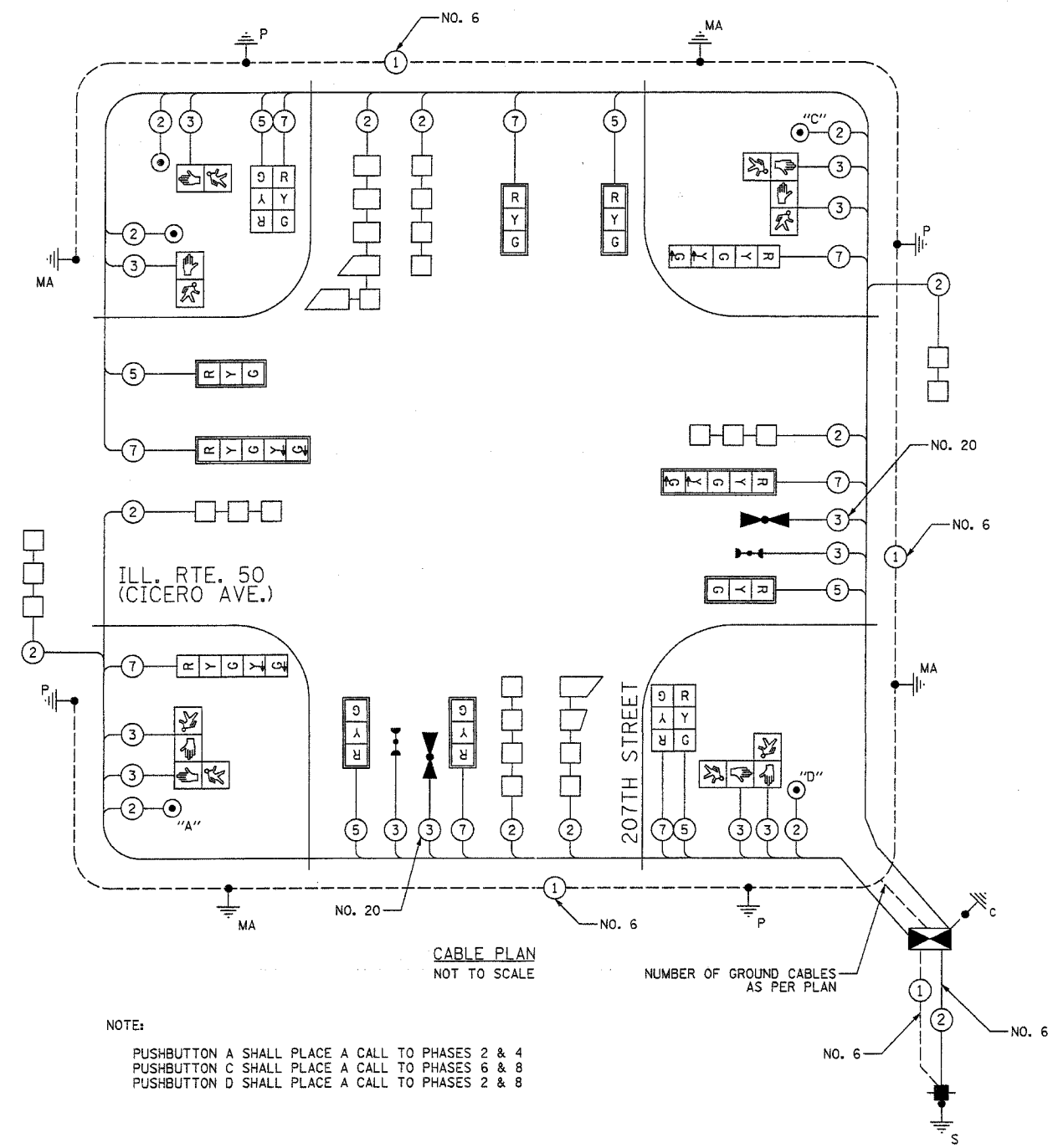
PAR. #	SECTION	COUNTY	TOTAL SHEETS	SHEET NO.
350	101 TS-2	COOK	26	12
STAL.		TO STA.		
FED. ROAD DISTRICT	ILLINOIS	FED. AID PROJECT		

CONTRACT NO. 60A64



CABLE PLAN LEGEND

- | | | |
|-----------------|-----------------|---|
| EXISTING | PROPOSED | |
| | | 8" (200mm) TRAFFIC SIGNAL SECTION |
| | | 12" (300mm) TRAFFIC SIGNAL SECTION |
| | | 12" (300mm) PEDESTRIAN SIGNAL SECTION |
| | | 12" (300mm) PEDESTRIAN SIGNAL SECTION |
| | | CONTROLLER CABINET |
| | | SERVICE INSTALLATION |
| | | TELEPHONE CONNECTION |
| | | MAGNETIC DETECTOR |
| | | EMERGENCY VEHICLE LIGHT DETECTOR |
| | | CONFIRMATION BEACON |
| | | PUSHBUTTON DETECTOR |
| | | VEHICLE DETECTOR, INDUCTION LOOP |
| | | DENOTES NUMBER OF CONDUCTORS. ALL CABLE NO. 14 EXCEPT AS INDICATED. ALL LOOP DETECTOR CABLE TO BE SHIELDED. |
| | | MICROWAVE VEHICLE SENSOR |
| | | SIGNAL FACE WITH BACKPLATE, "P" INDICATES PROGRAMMED HEAD |
| | | RAILROAD CONTROL CABINET |
| | | ILLUMINATED SIGN "NO LEFT TURN" |
| | | ILLUMINATED SIGN "NO RIGHT TURN" |
| | | GROUND ROD AT HANDHOLE (H), DOUBLE HANDHOLE (H), OR CONTROLLER (C). |
| | | GROUND ROD AT POST (P), OR MAST ARM POLE (MA). |
| | | GROUND ROD AT ELECTRIC SERVICE INSTALLATION |
| | | GROUND CABLE IN CONDUIT NO. 6 SOLID COPPER (GREEN) |
| | | FIBER OPTIC CABLE IN CONDUIT NO. 62.5/125 2-MM12F SM12F |



NOTE:
 PUSHBUTTON A SHALL PLACE A CALL TO PHASES 2 & 4
 PUSHBUTTON C SHALL PLACE A CALL TO PHASES 6 & 8
 PUSHBUTTON D SHALL PLACE A CALL TO PHASES 2 & 8

I.D.O.T. TRAFFIC SIGNAL INSTALLATION ELECTRICAL SERVICE REQUIREMENTS					TOTAL WATTAGE
TYPE	NO. LAMPS	WATTAGE INCAND.	WATTAGE LED	% OPERATION	
SIGNAL (RED)	14		17	0.50	119
(YELLOW)	14		25	0.25	88
(GREEN)	14		15	0.25	53
ARROW	8		12	0.10	10
PED. SIGNAL	8		25	1.00	200
CONTROLLER	1		100	1.00	100
TOTAL =					570

FOUNDATION (DEPTH)	FT. (m)	CABLE SLACK	FT. (m)	VERTICAL	FT. (m)
TYPE A - POST	4 (1.2)	HANDHOLE	6.5 (2.0)	ALL FOUNDATIONS	3.5 (2.0)
D- CONTROLLER	4 (1.2)	DOUBLE HANDHOLE	13 (4.0)	MAST ARM (L) POLE	20'-L-2' = (6m+L-0.6m)=
E- M. ARM POLE		SIGNAL POST	2 (1.0)	BRACKET MOUNTED	13 (4.0)
24" (600mm)	10 (3.0)	CONTROLLER CAB.	1 (0.5)	PED. PUSHBUTTON	4 (1.2)
30" (750mm)	15 (4.6)	FIBER OPTIC	13 (4.0)	ELECTRIC SERVICE	13.5 (4.1)
36" (900mm)	15 (4.6)	ELECTRIC SERVICE	1 (0.5)	SERVICE TO GROUND	13.5 (4.1)
		GROUND CABLE	1 (0.5)	POST MOUNTED	6 (1.8)

REVISIONS	
NAME	DATE

ILLINOIS DEPARTMENT OF TRANSPORTATION
 DISTRICT 1
CABLE PLAN
 ILL. RTE. 50 (CICERO AVENUE)
 & 207TH STREET
 NOT TO SCALE
 DATE: 1/17/06
 DRAWN BY: OJT
 DESIGNED BY: OJT
 CHECKED BY: JJE