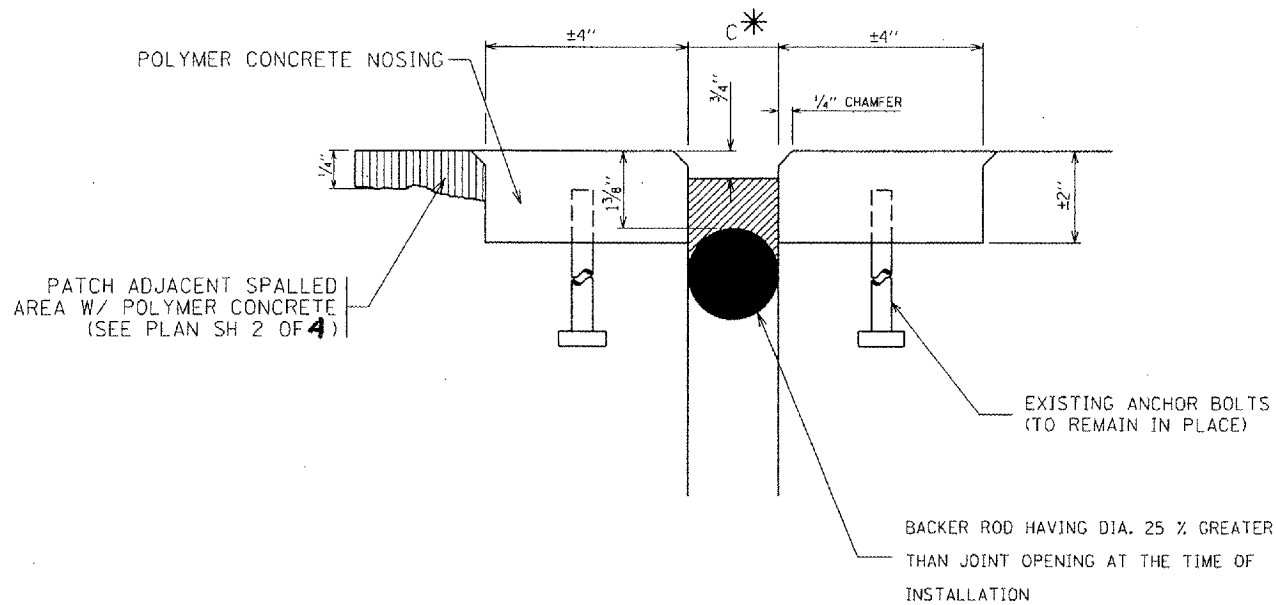
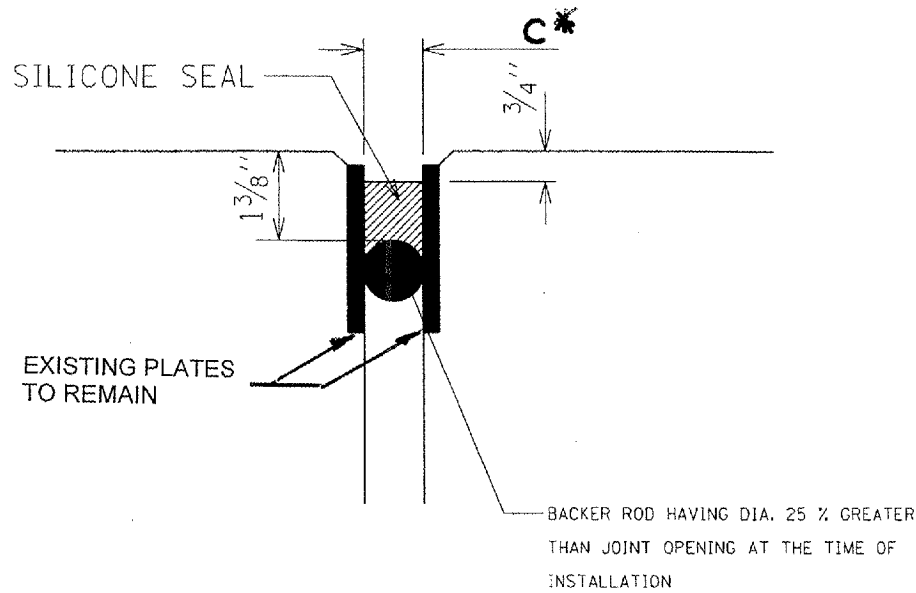


ROUTE	SECTION	COUNTY	TOTAL SHEETS	SHEET NUMBER
FAI 90/94	2006-0101	COOK	16	6

CONTRACT NO: 60B33
Sh 3 of 4



PROPOSED DETAIL A

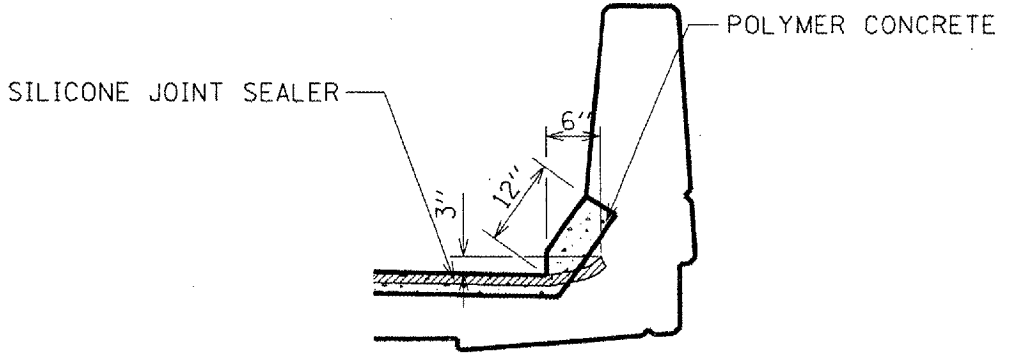


PROPOSED DETAIL B
LONGITUDINAL JOINT

* SEE BELOW TABLE FOR C AT VARIOUS LOCATIONS

LOC	EXIST	PROPOSED	C
LONGITUDINAL JT.	1 3/4" PJS Ø	1" SJS	1"
S. BRIDGE E. ABUT, W. ABUT., PIER 1 & 2	2" NEOP Ø	2" SJS	2" @ 50° F
N BRIDGE-E. ABUT & PIER 3			
N BRIDGE -W. ABUT	4" NEOP Ø	3" SJS	3" @ 50° F

- ① SEE PROPOSED DETAIL A
- ② SEE PROPOSED DETAIL B



END OF SEAL TREATMENT

ILLINOIS DEPARTMENT OF
TRANSPORTATION
BRIDGE PLAN
I-90/94 OVER KEDZIE/BELMONT
LOC 1 (SN 016-0121)