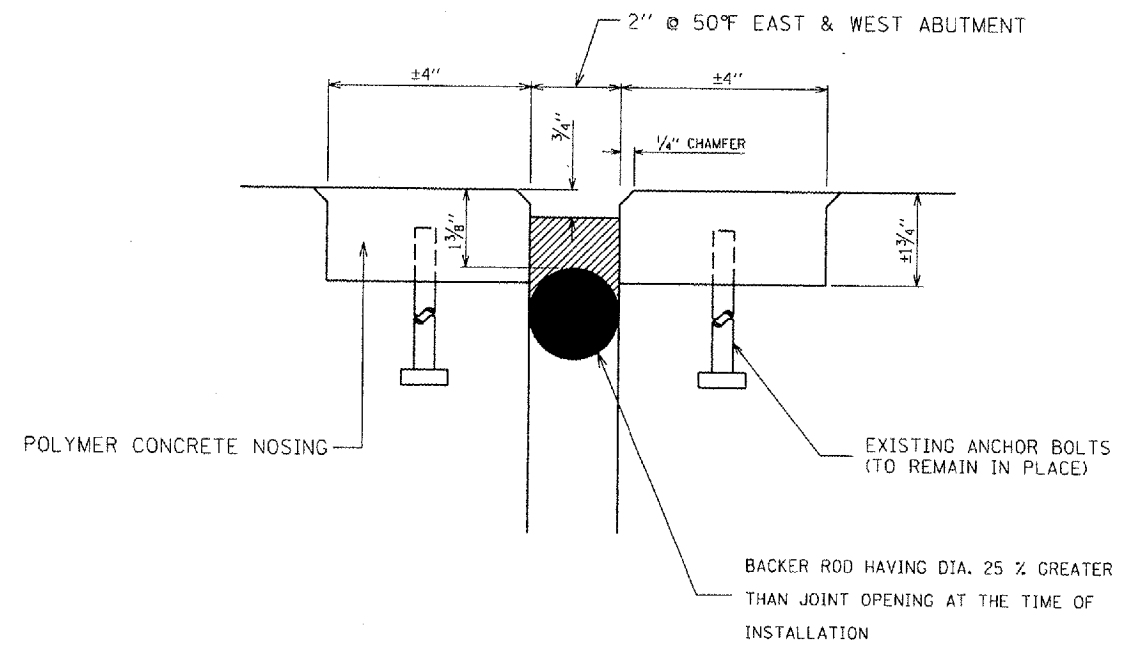
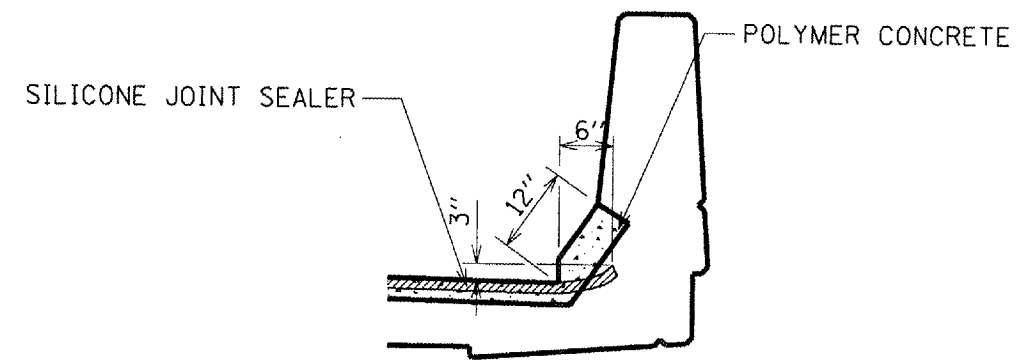


ROUTE	SECTION	COUNTY	TOTAL SHEETS	SHEET NUMBER
FAI 90/94	2006-010 I	COOK	16	10

CONTRACT NO: 60B33
Sh 3 of 3



PROPOSED DETAIL A



END OF SEAL TREATMENT

ILLINOIS DEPARTMENT OF
TRANSPORTATION
BRIDGE PLAN
I-90/94 OVER SACRAMENTO
LOC 2 (SN 016-0123)