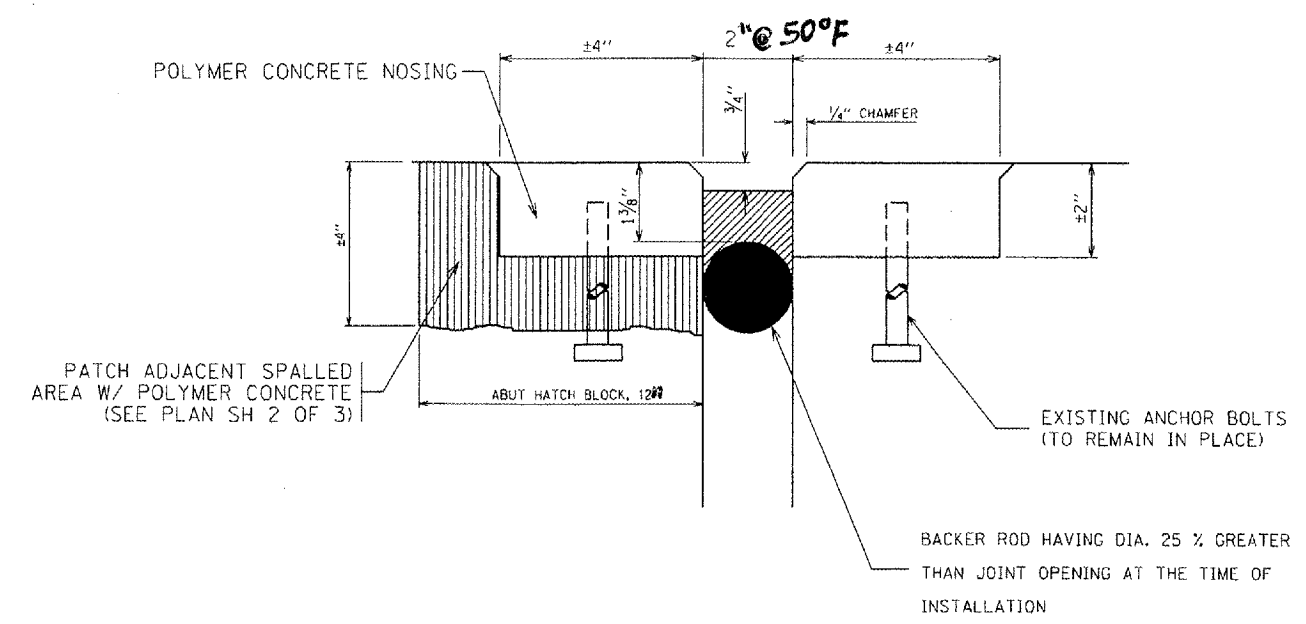
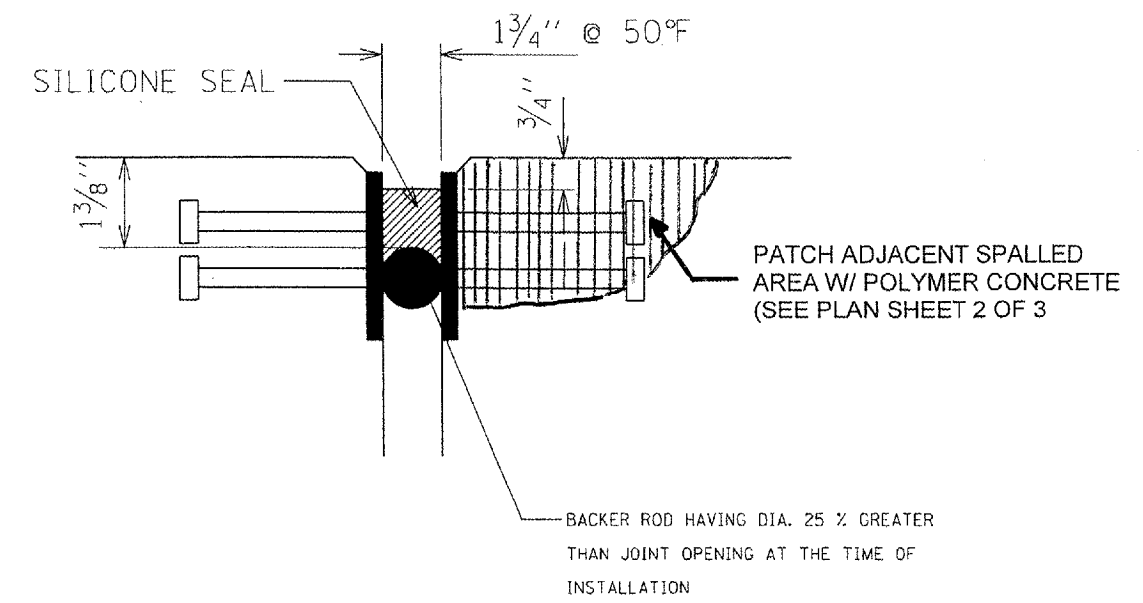


| ROUTE     | SECTION   | COUNTY | TOTAL SHEETS | SHEET NUMBER |
|-----------|-----------|--------|--------------|--------------|
| FAI 90/94 | 2006-0101 | COOK   | 16           | 13           |

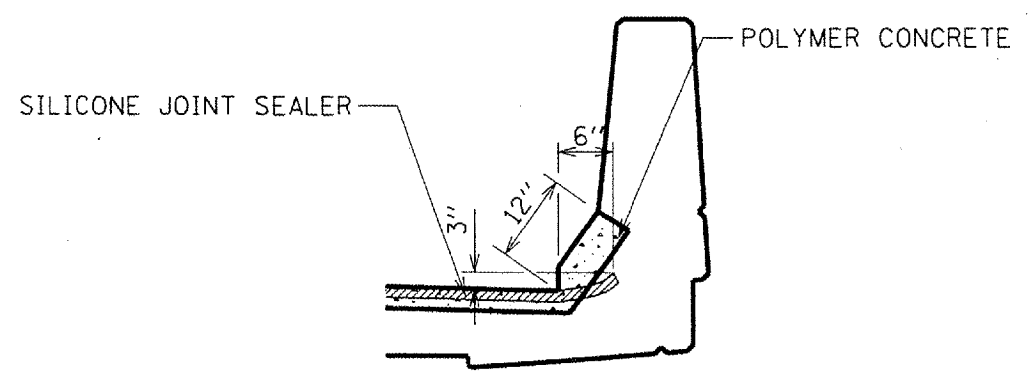
CONTRACT NO: 60B33  
Sh 3 of 3



PROPOSED DETAIL B  
WEST ABUTMENT



PROPOSED DETAIL A  
EAST ABUTMENT



END OF SEAL TREATMENT

ILLINOIS DEPARTMENT OF  
TRANSPORTATION  
BRIDGE PLAN  
I-90/94 OVER CALIFORNIA  
LOC 3 (SN 016-1076)