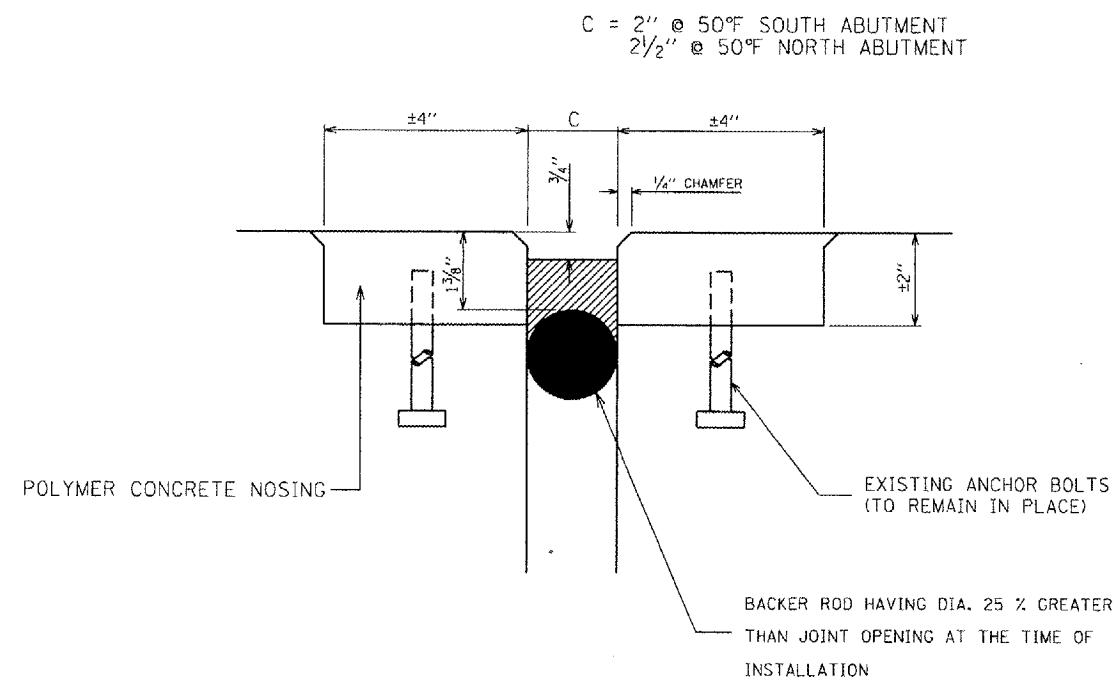
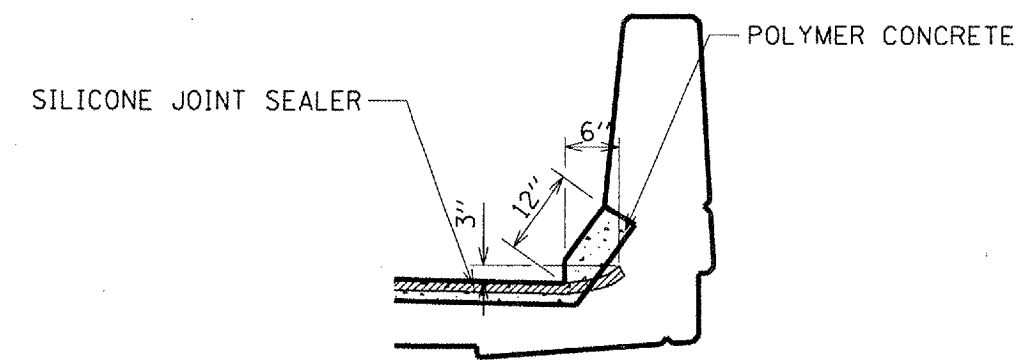


ROUTE	SECTION	COUNTY	TOTAL SHEETS	SHEET NUMBER
FAI 90/94	2006-010 I	COOK	16	16

CONTRACT NO: 60B33  
Sh 3 of 3



PROPOSED SILICONE JOINT SEAL DETAIL



END OF SEAL TREATMENT

ILLINOIS DEPARTMENT OF  
TRANSPORTATION  
**BRIDGE PLAN**  
I-90/94 OVER DIVERSEY  
LOC 4 (SN 016-1073)