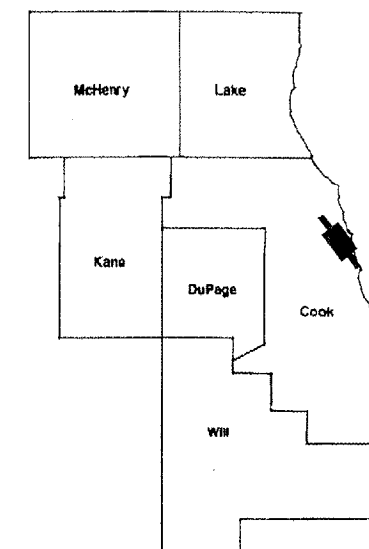


ROUTE	SECTION	COUNTY	TOTAL SHEETS	SHEET NUMBER
FAI 90/94	2006-0101	COOK	16	1

FOR INDEX OF SHEETS SEE SHEET 2

CONTRACT NO: 60B33

D-91-323-06



LOCATION OF IMPROVEMENT INDICATED THIS: 

IMPROVEMENTS ARE LOCATED IN THE CITY OF CHICAGO

STATE OF ILLINOIS
DEPARTMENT OF
TRANSPORTATION
DIVISION OF HIGHWAYS
DISTRICT ONE
PROPOSED HIGHWAY PLANS

FAI ROUTE 90/94: KENNEDY EXPWY
VARIOUS BRIDGES IN REVERSIBLE LANES
SECTION 2006-0101
BRIDGE DECK REPAIRS
COOK COUNTY
C-91-323-06

LOCATION OF IMPROVEMENTS

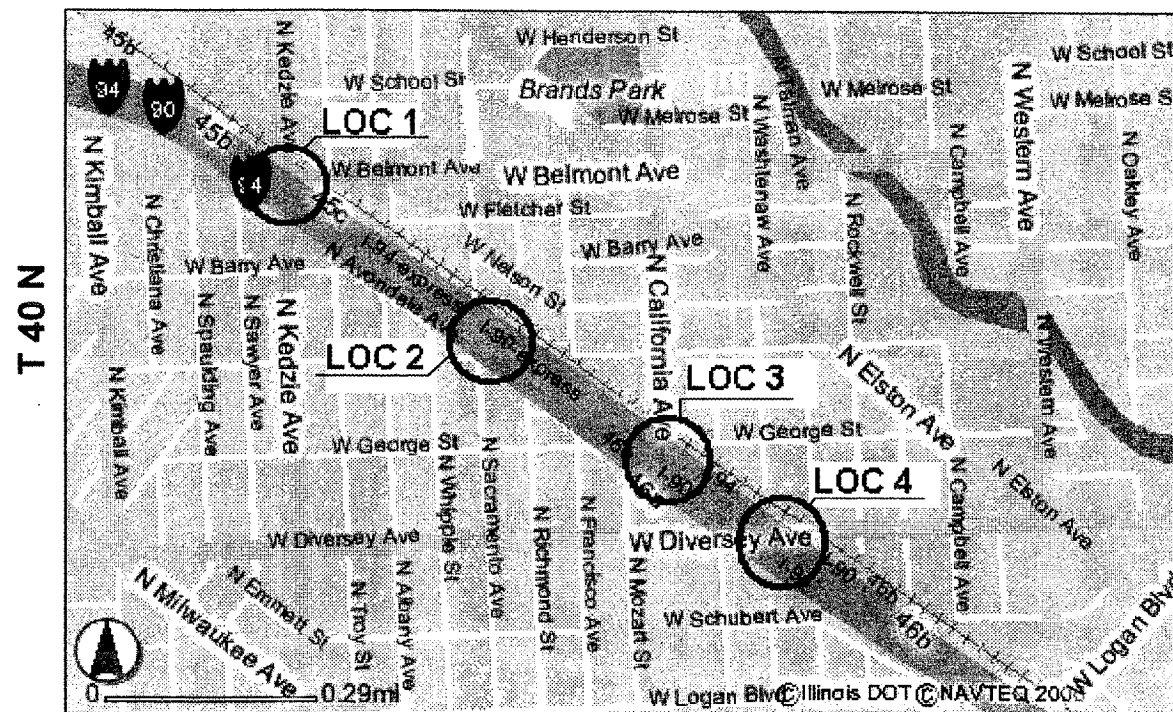
LOC 1: SN 016-0121
I-90/94 OVER KEDZIE AVE./BELMONT ST.

LOC 2: SN 016-0123
I-90/94 OVER SACRAMENTO AVE.

LOC 3: SN 016-1076:
I-90/94 OVER CALIFORNIA AVE.

LOC 4: SN 016-1073
I-90/94 OVER DIVERSY BLVD.

R 13 E



JEFFERSON TOWNSHIP

STATE OF ILLINOIS
DEPARTMENT OF TRANSPORTATION
DIVISION OF HIGHWAYS

SUBMITTED: Nov. 1 2006
Diane O'Keefe
DEPUTY DIRECTOR OF HIGHWAYS, REGION ENGINEER

December 8, 2006
Eric E. Hamm
Interim ENGINEER OF DESIGN AND ENVIRONMENT

December 8, 2006
Milton R. Sees
DIRECTOR, DIVISION OF HIGHWAYS

PRINTED BY THE AUTHORITY
OF THE STATE OF ILLINOIS

C.U.A.N.
CHICAGO UTILITY ALERT NETWORK
(312)744-7000

CONTRACT NO. 60B33

DISTRICT ONE - DESIGN - PLAN PREPARATION ENGINEER
KEN ENG / ROBERT BORO (847)-705-4178

ROUTE	SECTION	COUNTY	TOTAL SHEETS	SHEET NUMBER
FAI 90/94	2006-010I	COOK	16	2

INDEX OF SHEETS

- 1 TITLE SHEET
- 2 INDEX OF SHEETS, STATE STANDARDS AND GENERAL NOTES
- 3 SUMMARY OF QUANTITIES
- 4 - 7 BRIDGE REPAIRS, LOC 1 (SN 016-0121)
- 8 - 10 BRIDGE REPAIRS, LOC 2 (SN 016-0123)
- 11 - 13 BRIDGE REPAIRS, LOC 3 (SN 016-1076)
- 14 - 16 BRIDGE REPAIRS, LOC 4 (SN 016-1073)

GENERAL NOTES

BEFORE STARTING ANY EXCAVATION, THE CONTRACTOR SHALL CALL "CUAN" (CHICAGO UTILITY ALERT NETWORK) AT 312-744-7000 FOR FIELD LOCATIONS OF BURIED ELECTRIC, TELEPHONE & GAS FACILITIES. (48 HOURS NOTIFICATION REQUIRED)

THE CONTRACTOR SHALL COORDINATE CONSTRUCTION ACTIVITIES WITH UTILITY COMPANIES AND THE CITY OF CHICAGO.

THE CONTRACTOR WILL NOT BE ALLOWED TO SET UP A YARD OR FIELD OFFICE ON STATE OR TOLLWAY PROPERTY WITHOUT WRITTEN PERMISSION FROM THE DEPARTMENT.

WHEN ARTIFICIAL LIGHT IS UTILIZED IN NIGHT OPERATIONS, THE CONTRACTOR SHALL EXERCISE THE UTMOST PRECAUTIONS IN PREVENTING ADVERSE VISIBILITY TO THE MOTORING PUBLIC AND ADJOINING RESIDENTAL AREAS.

ALL DAMAGE TO EXISTING PAVEMENT MARKINGS OR RAISED REFLECTIVE PAVEMENT MARKINGS OUTSIDE THE CONCRETE REMOVAL LINE SHOWN N THE PLANS SHALL BE REPLACED AT THE CONTRACTORS EXPENSE.

THE CONTRACTOR SHALL CONTACT THE DISTRICT ONE TRAFFIC CONTROL SUPERVISOR AT (847) 705-4151 FOR CLOSING OF REVERSIBLE LANES A MINIMUM OF 72 HOURS IN ADVANCE OF BEGINNING WORK.

PLAN DIMENSIONS AND DETAILS RELATIVE TO EXISTING PLANS ARE SUBJECT TO ROUTINE VARIATIONS. THE CONTRACTOR SHALL FIELD VERIFY EXISTING DIMENSIONS AND DETAILS AFFECTING NEW CONSTRUCTION AND MAKE NECESSARY APPROVED ADJUSTMENTS PRIOR TO CONSTRUCTION OR ORDERING OF MATERIALS. SUCH VARIATIONS SHALL NOT BE CAUSE FOR ADDITIONAL COMPENSATION FOR A CHANGE IN SCOPE OF THE WORK, HOWEVER, THE CONTRACTOR WILL BE PAID FOR THE QUANTITY ACTUALLY FURNISHED BASED UPON THE UNIT PRICE BID FOR THE WORK.

DO NOT SCALE PLANS FOR CONSTRUCTION DIMENSIONS.

ILLINOIS DEPARTMENT OF
TRANSPORTATION

INDEX OF SHEETS
STATE STANDARDS
GENERAL NOTES

Rev.

ROUTE	SECTION	COUNTY	TOTAL SHEETS	SHEET NUMBER
FAI 90/94	2006-0101	COOK	16	3

CONTRACT NO: 60B33

SUMMARY OF QUANTITIES			URBAN 100% STATE TOTAL	CONSTRUCTION TYPE CODE SFTY-2A			
CODE NO.	ITEMS	UNITS	QUANTITIES	LOC 1 (016-0121) KEDZIE/BELMONT	LOC 2 (016-0123) SACRAMENTO	LOC 3 (016-1076) CALIFORNIA	LOC 4 (016-1073) DIVERSEY
50300300	PROTECTIVE COAT	SQ YD	6668.0	1718.0	1522.0	1823.0	1605.0
67000400	ENGINEER'S FIELD OFFICE, TYPE A	CAL MO	2	0.5	0.5	0.5	0.5
67100100	MOBILIZATION	L SUM	1	0.25	0.25	0.25	0.25
X0320887	POLYMER CONCRETE	CU FT	87.0	29.0	21.0	16.0	21.0
X0321743	SILICONE JOINT SEALER, 1"	FOOT	333.0	333.0			
X0321744	SILICONE JOINT SEALER, 2"	FOOT	594.0	206.0	185.0	111.0	92.0
X0322933	SILICONE JOINT SEALER, 2.5"	FOOT	92.0				92.0
X0323076	SILICONE JOINT SEALER, 1-3/4"	FOOT	97			97	
X7011015	TRAFFIC CONTROL & PROTECTION (EXPRESS WAYS)	L SUM	1.0	.25	.25	.25	.25
XX004814	SILICONE JOINT SEALER, 3"	FOOT	42.0	42.0			

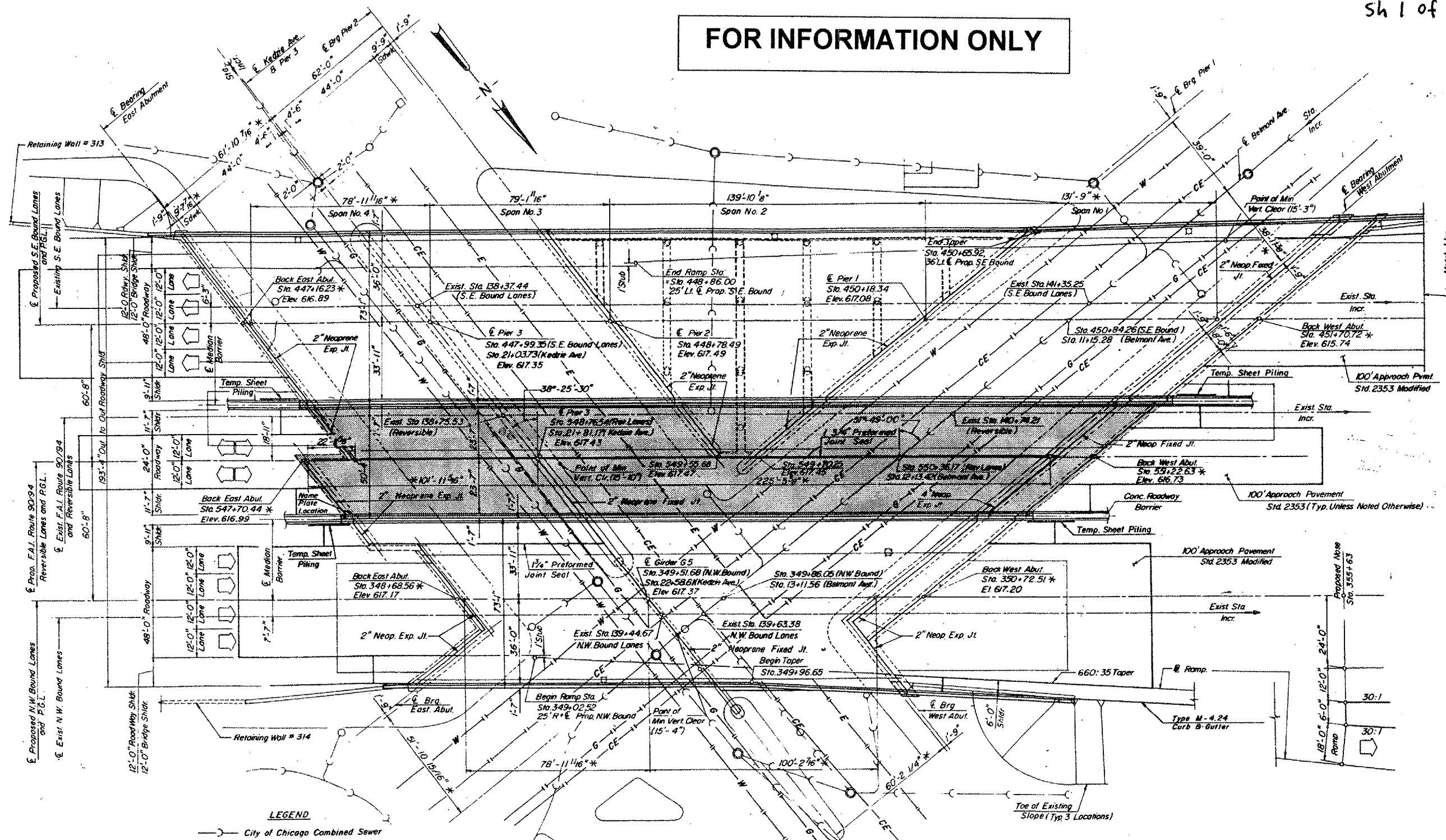
ILLINOIS DEPARTMENT OF
TRANSPORTATION
SUMMARY OF QUANTITIES

Rev.

ROUTE	SECTION	COUNTY	TOTAL SHEETS	SHEET NUMBER
I-90/94	2006-0101	COOK	16	4

CONTRACT NO: 60B33
Sh 1 of 4

FOR INFORMATION ONLY



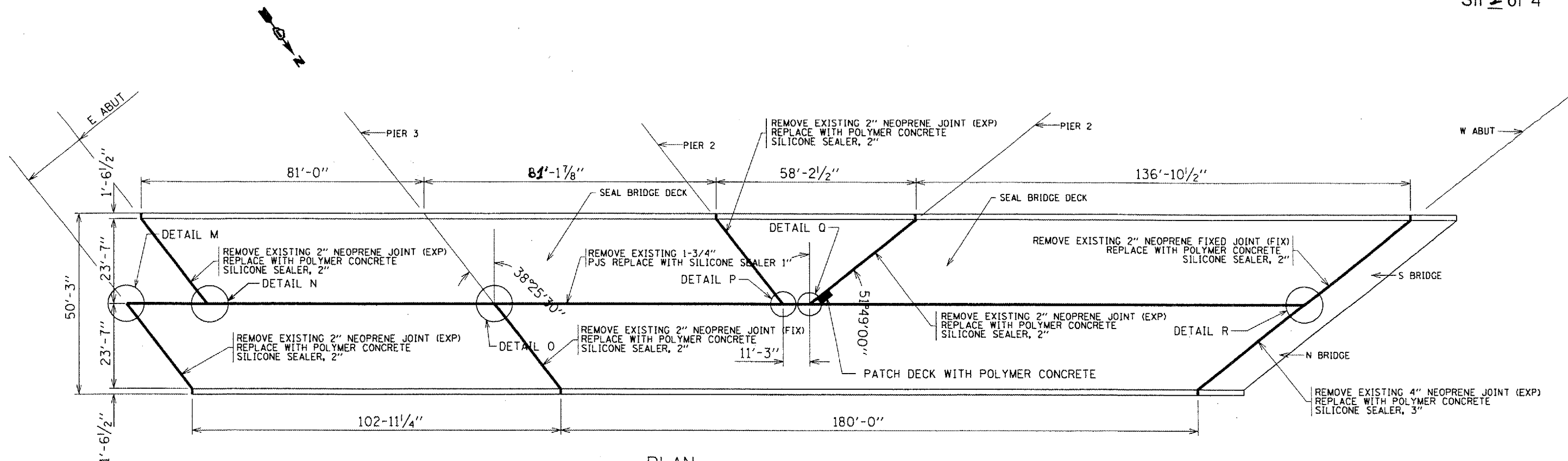
- LEGEND**
- City of Chicago Combined Sewer
 - Existing Manhole
 - Existing Light Pole
 - CE— Commonwealth Edison
 - W— City of Chicago Water Main
 - G— Peoples Gas
 - E— City of Chicago Traffic & Lighting (Buried)
- * Indicates dimension or station has been adjusted based on field survey of existing structure.

Denotes Limits of REVERSIBLE LANE Construction. Work Outside This Area is Not Included In This Contract.

ILLINOIS DEPARTMENT OF
TRANSPORTATION
BRIDGE PLAN
I-90/94 OVER KEDZIE & BELMONT
Loc 1 (SN 016-0121)

ROUTE	SECTION	COUNTY	TOTAL SHEETS	SHEET NUMBER
FAI 90/94	2006-0101	COOK	16	5

CONTRACT NO: 60B33
Sh 2 of 4



PLAN
FOR DETAILS M-R SEE SH 4 OF 4

BILL OF MATERIAL

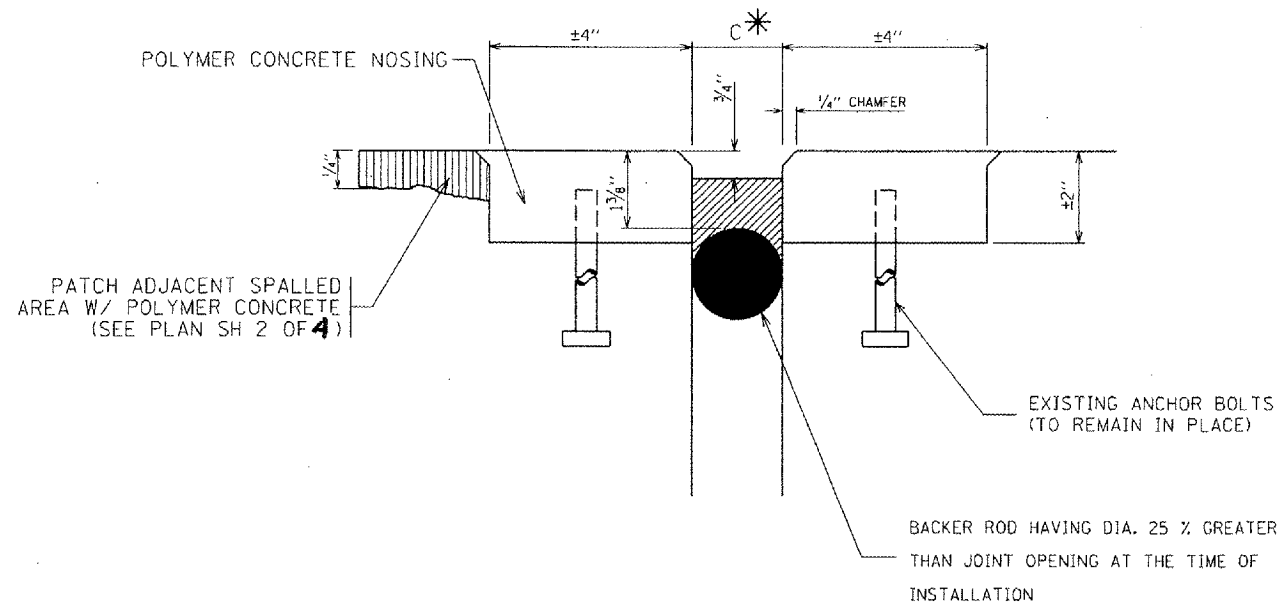
PAY ITEM	UNIT	QTY
POLYMER CONCRETE	CU FT	29
SILICONE JOINT SEALER, 1"	FOOT	333
SILICONE JOINT SEALER, 2"	FOOT	206
SILICONE JOINT SEALER, 3"	FOOT	42
* PROTECTIVE COAT	SQ YD	1718

* DECK SURFACE ONLY.

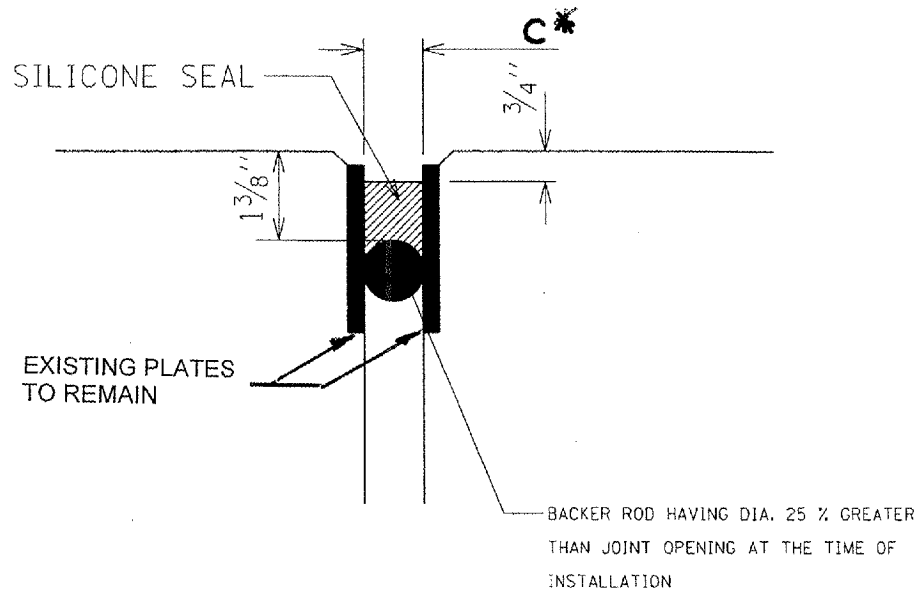
ILLINOIS DEPARTMENT OF
TRANSPORTATION
BRIDGE PLAN
I-90/94 OVER KEDZIE/BELMONT
LOC 1 (SN 016-0121)

ROUTE	SECTION	COUNTY	TOTAL SHEETS	SHEET NUMBER
FAI 90/94	2006-0101	COOK	16	6

CONTRACT NO: 60B33
Sh 3 of 4



PROPOSED DETAIL A

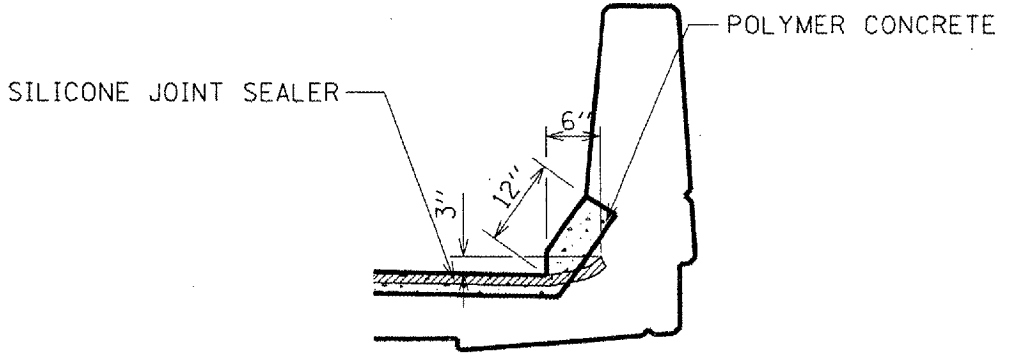


PROPOSED DETAIL B
LONGITUDINAL JOINT

* SEE BELOW TABLE FOR C AT VARIOUS LOCATIONS

LOC	EXIST	PROPOSED	C
LONGITUDINAL JT.	1 3/4" PJS Ø	1" SJS	1"
S. BRIDGE E. ABUT, W. ABUT., PIER 1 & 2	2" NEOP Ø	2" SJS	2" @ 50° F
N BRIDGE-E. ABUT & PIER 3			
N BRIDGE -W. ABUT	4" NEOP Ø	3" SJS	3" @ 50° F

- ① SEE PROPOSED DETAIL A
- ② SEE PROPOSED DETAIL B

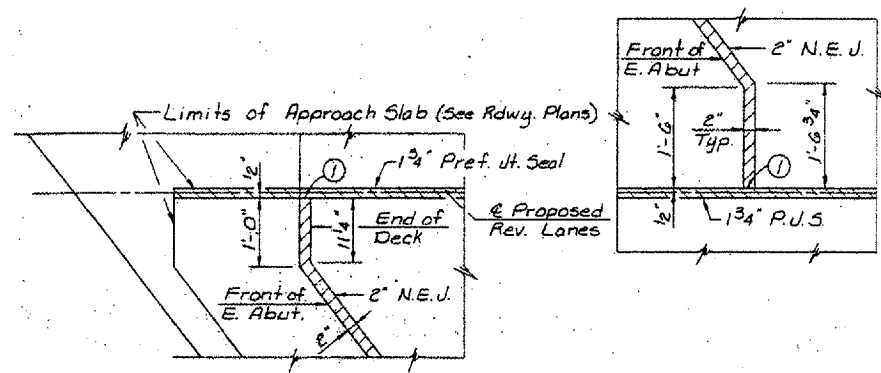


END OF SEAL TREATMENT

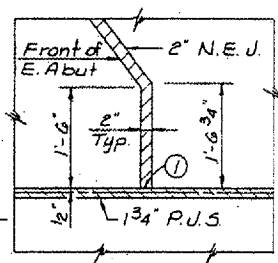
ILLINOIS DEPARTMENT OF
TRANSPORTATION
BRIDGE PLAN
I-90/94 OVER KEDZIE/BELMONT
LOC 1 (SN 016-0121)

ROUTE	SECTION	COUNTY	TOTAL SHEETS	SHEET NUMBER
I-90/94	2006-0101	COOK	16	7

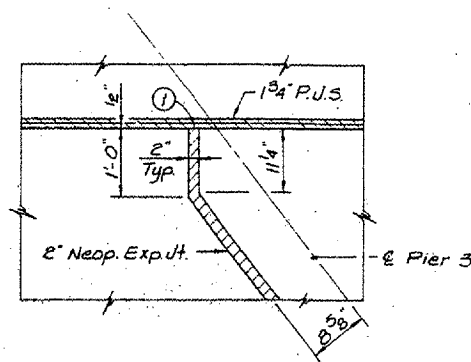
CONTRACT NO: 60B33
Sh 4 of 4



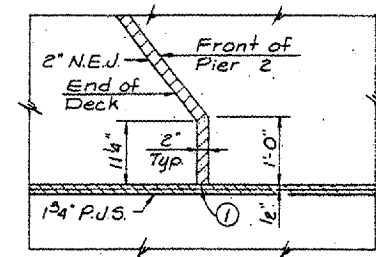
DETAIL "M"



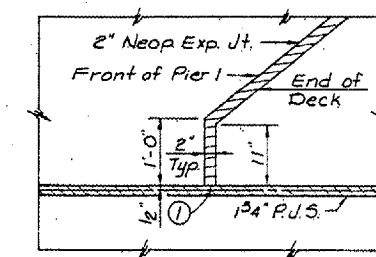
DETAIL "N"



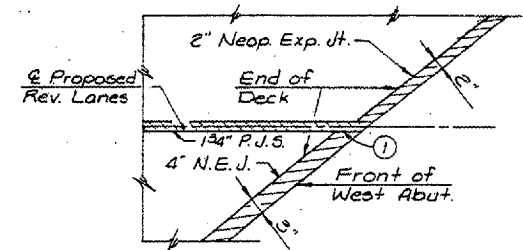
DETAIL "O"



DETAIL "P"



DETAIL "Q"



DETAIL "R"

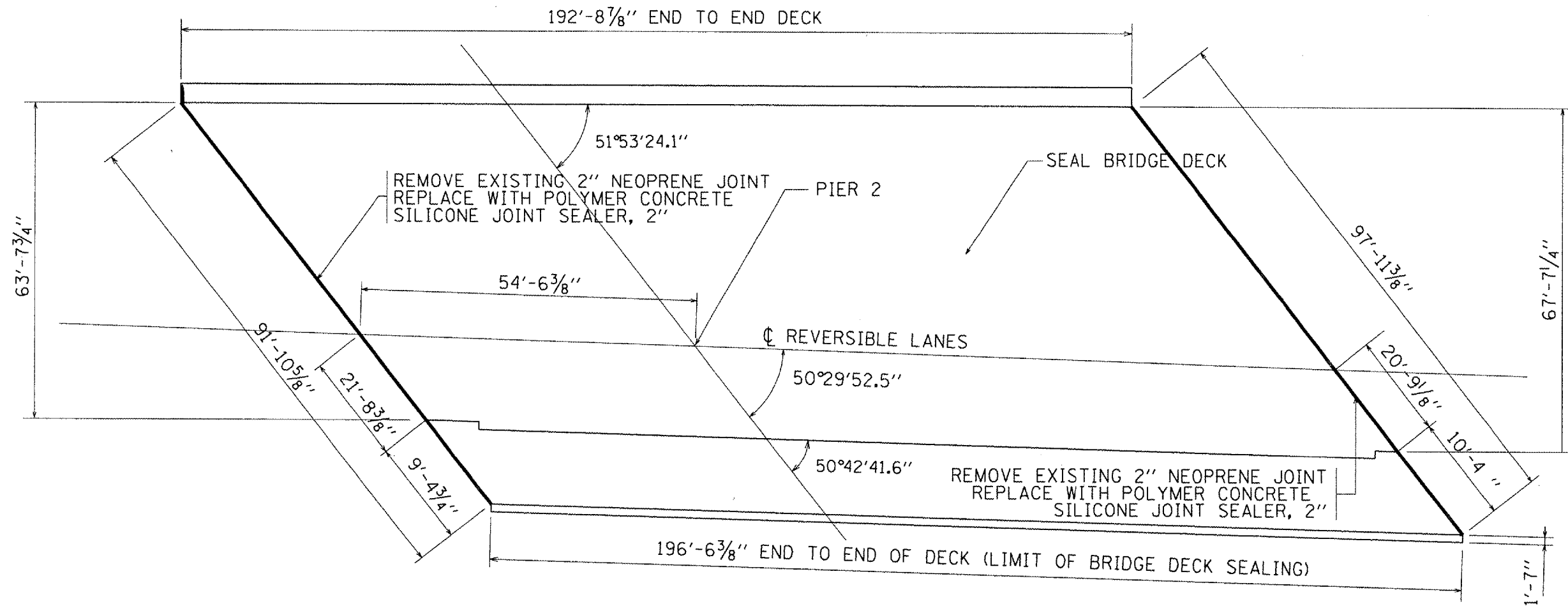
* P.J.S. DENOTES EXSITING PERFORMED JOINT SEAL → REPLACE WITH SILICONE SEAL
(SEE DETAIL B IN SH 3 OF 4)

N.E.J. DENOTES EXSITING NEOPRENE EXPANSION JOINT → REPLACE WITH SILICONE SEAL
(SEE DETAIL A IN SH 3 OF 4)

ILLINOIS DEPARTMENT OF
TRANSPORTATION
BRIDGE PLAN
I-90/94 OVER KEDZIE & BELMONT
LOC. 1 (SN 016-0121)

ROUTE	SECTION	COUNTY	TOTAL SHEETS	SHEET NUMBER
FAI 90/94	2006-010 I	COOK	16	9

CONTRACT NO: 60B33
Sh 2 of 3



PLAN

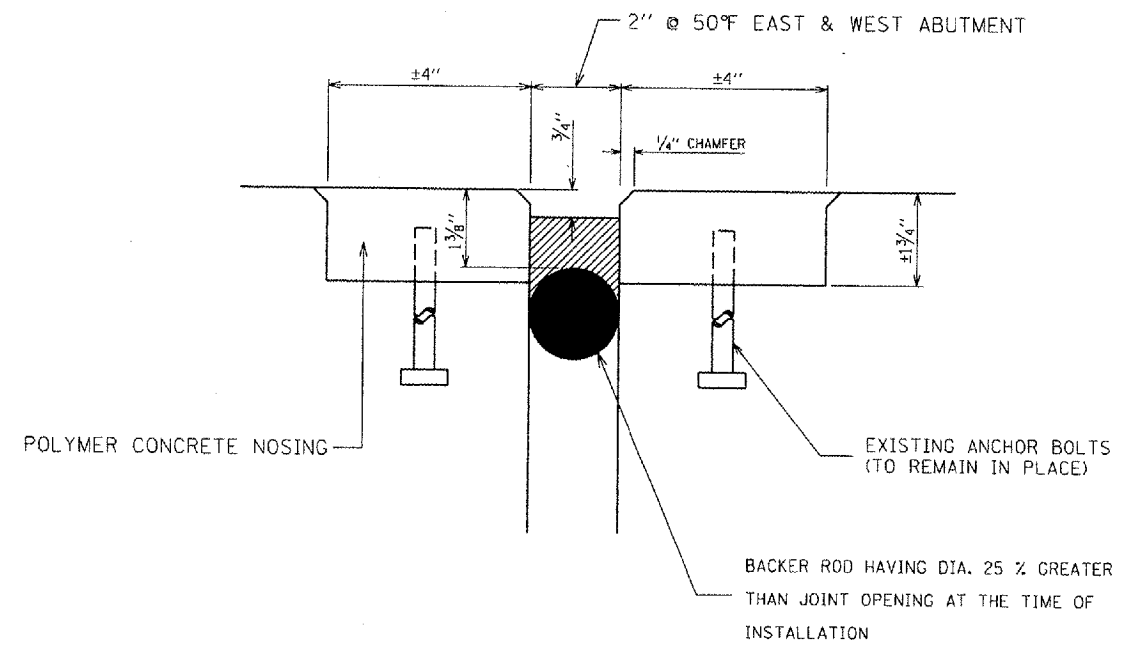
BILL OF MATERIAL

PAY ITEM	UNIT	QTY
POLYMER CONCRETE	CU FT	21
SILICONE JOINT SEALER, 2"	FOOT	185
PROTECTIVE COAT	SQ YD	1522

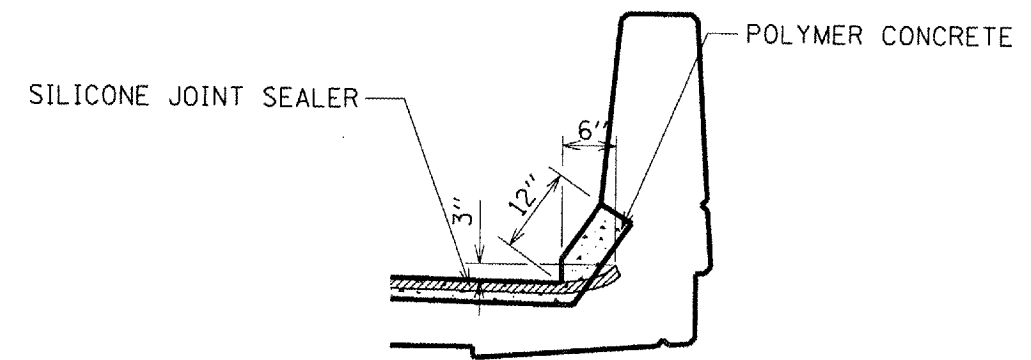
ILLINOIS DEPARTMENT OF
TRANSPORTATION
BRIDGE PLAN
I-90/94 OVER SACRAMENTO
LOC 2 (SN 016-0123)

ROUTE	SECTION	COUNTY	TOTAL SHEETS	SHEET NUMBER
FAI 90/94	2006-010 I	COOK	16	10

CONTRACT NO: 60B33
Sh 3 of 3



PROPOSED DETAIL A



END OF SEAL TREATMENT

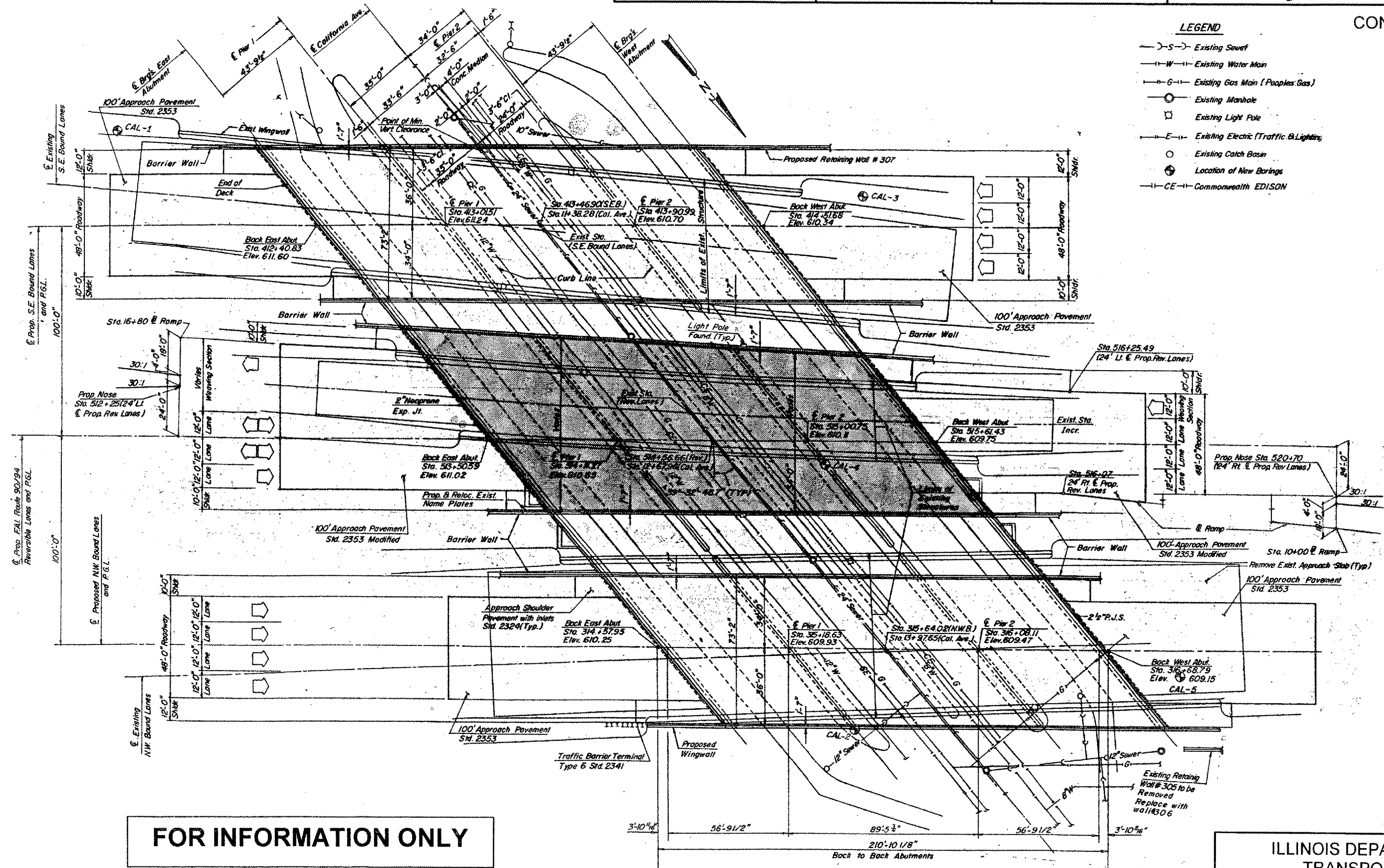
ILLINOIS DEPARTMENT OF
TRANSPORTATION
BRIDGE PLAN
I-90/94 OVER SACRAMENTO
LOC 2 (SN 016-0123)

ROUTE	SECTION	COUNTY	TOTAL SHEETS	SHEET NUMBER
I-90/94	2006-0101	COOK	16	11

CONTRACT NO: 60B33
Sh. 1 of 3

LEGEND

- S— Existing Sewer
- W— Existing Water Main
- G— Existing Gas Main (Peoples Gas)
- Existing Manhole
- Existing Light Pole
- E— Existing Electric (Traffic & Lighting)
- Existing Catch Basin
- ⊕ Location of New Borings
- CE— Commonwealth EDISON

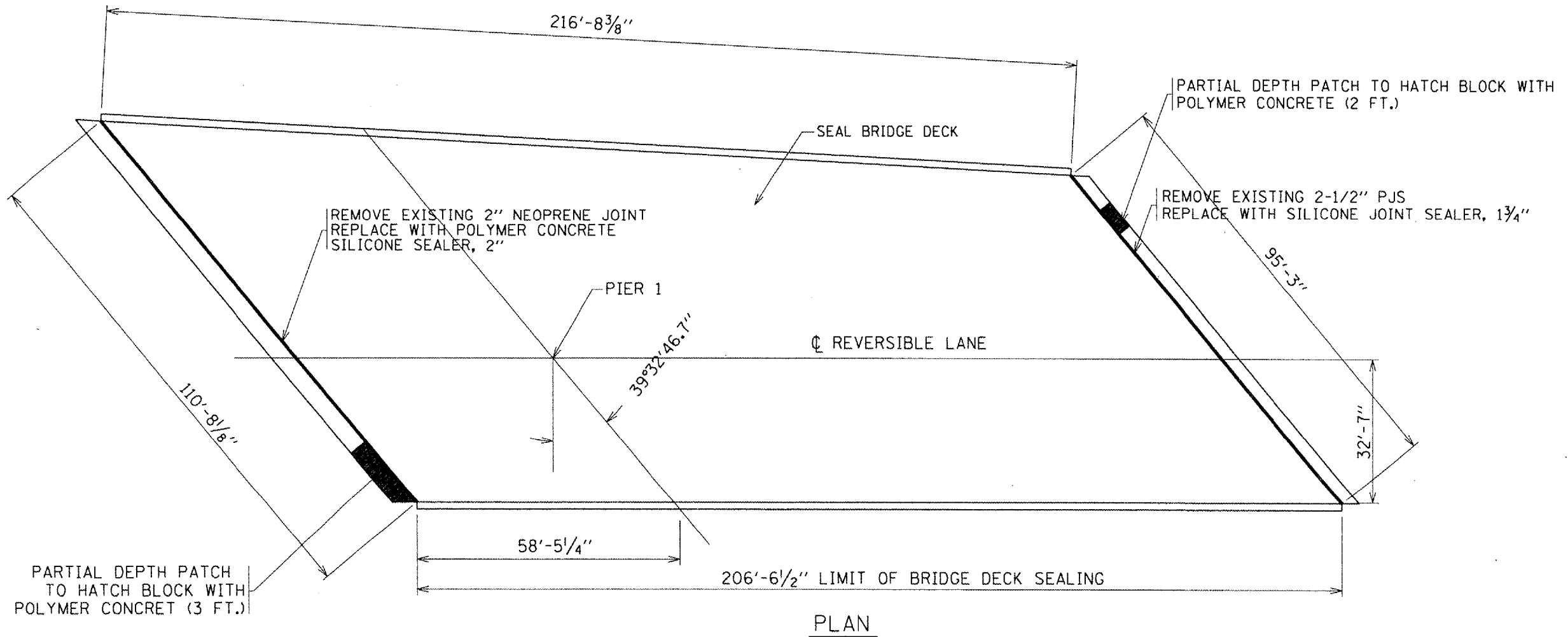


FOR INFORMATION ONLY

ILLINOIS DEPARTMENT OF
TRANSPORTATION
BRIDGE PLAN
I-90/94 OVER CALIFORNIA
Loc 3 (SN 016-1076)

ROUTE	SECTION	COUNTY	TOTAL SHEETS	SHEET NUMBER
FAI 90/94	2006-010 I	COOK	16	12

CONTRACT NO: 60B33
Sh 2 of 3



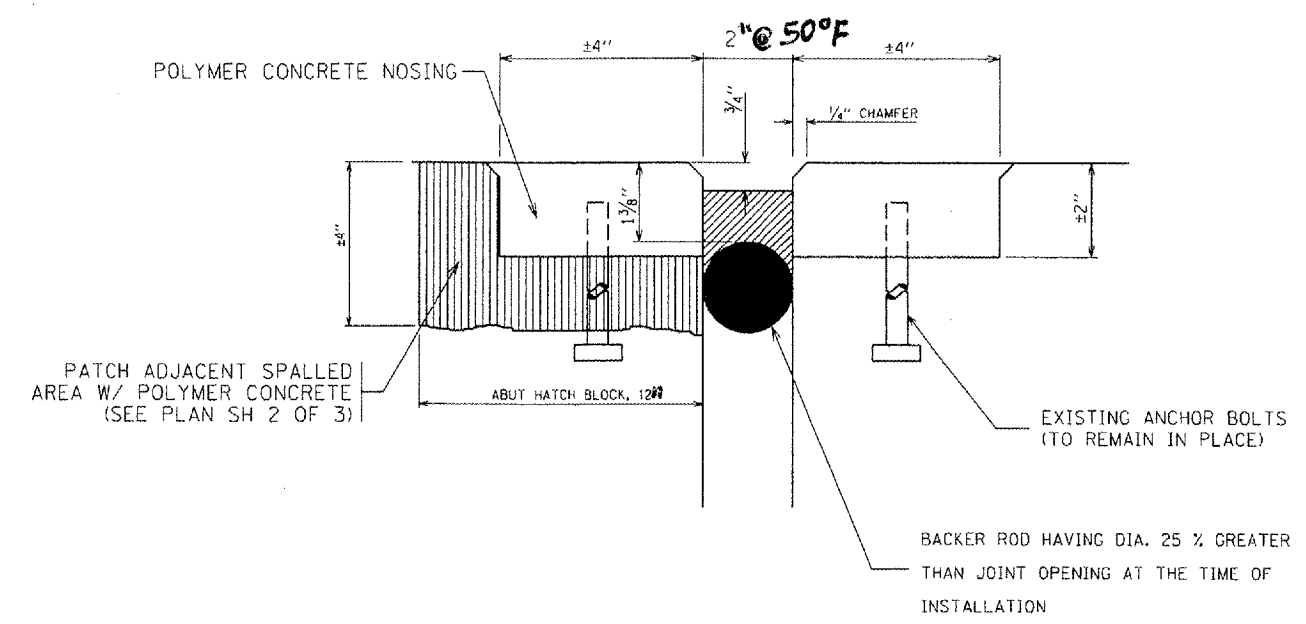
BILL OF MATERIAL

PAY ITEM	UNIT	QTY
POLYMER CONCRETE	CU FT	16
SILICONE JOINT SEALER, 2"	FOOT	111
SILICONE JOINT SEALER, 1 3/4"	FOOT	97
PROTECTIVE COAT	SQ YD	1823

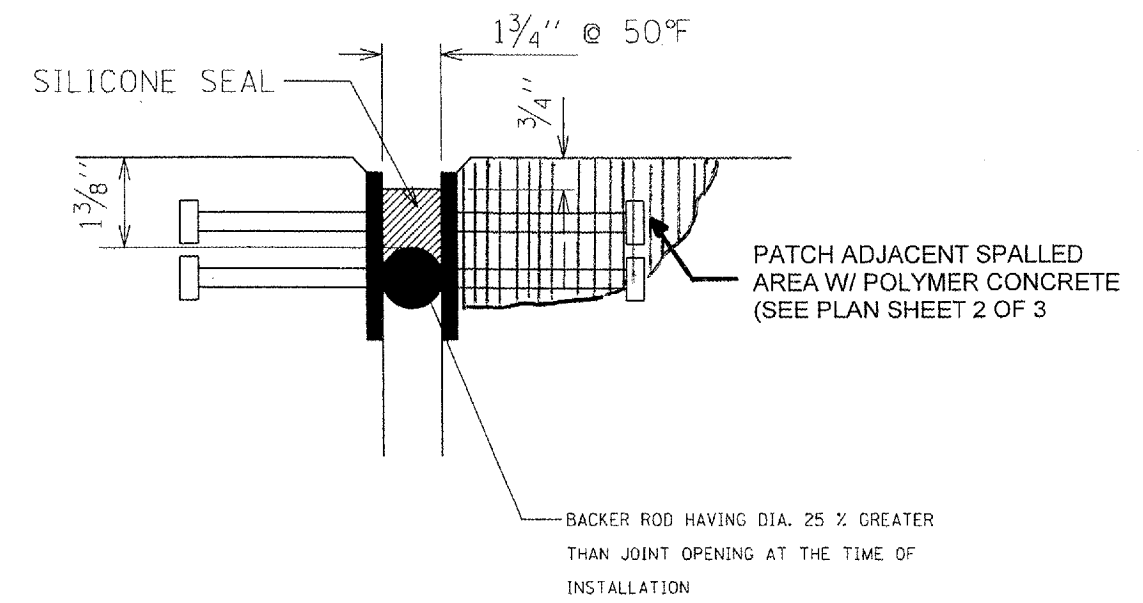
ILLINOIS DEPARTMENT OF
TRANSPORTATION
BRIDGE PLAN
I-90/94 OVER CALIFORNIA
LOC 3 (SN 016-1076)

ROUTE	SECTION	COUNTY	TOTAL SHEETS	SHEET NUMBER
FAI 90/94	2006-0101	COOK	16	13

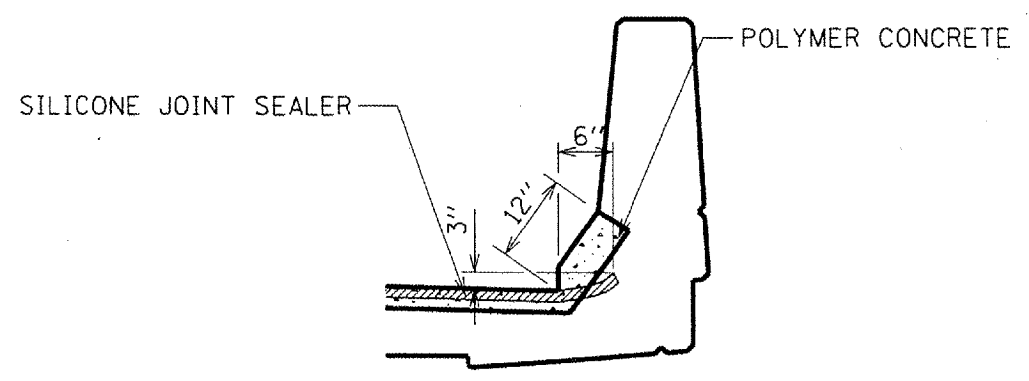
CONTRACT NO: 60B33
Sh 3 of 3



PROPOSED DETAIL B
WEST ABUTMENT



PROPOSED DETAIL A
EAST ABUTMENT



END OF SEAL TREATMENT

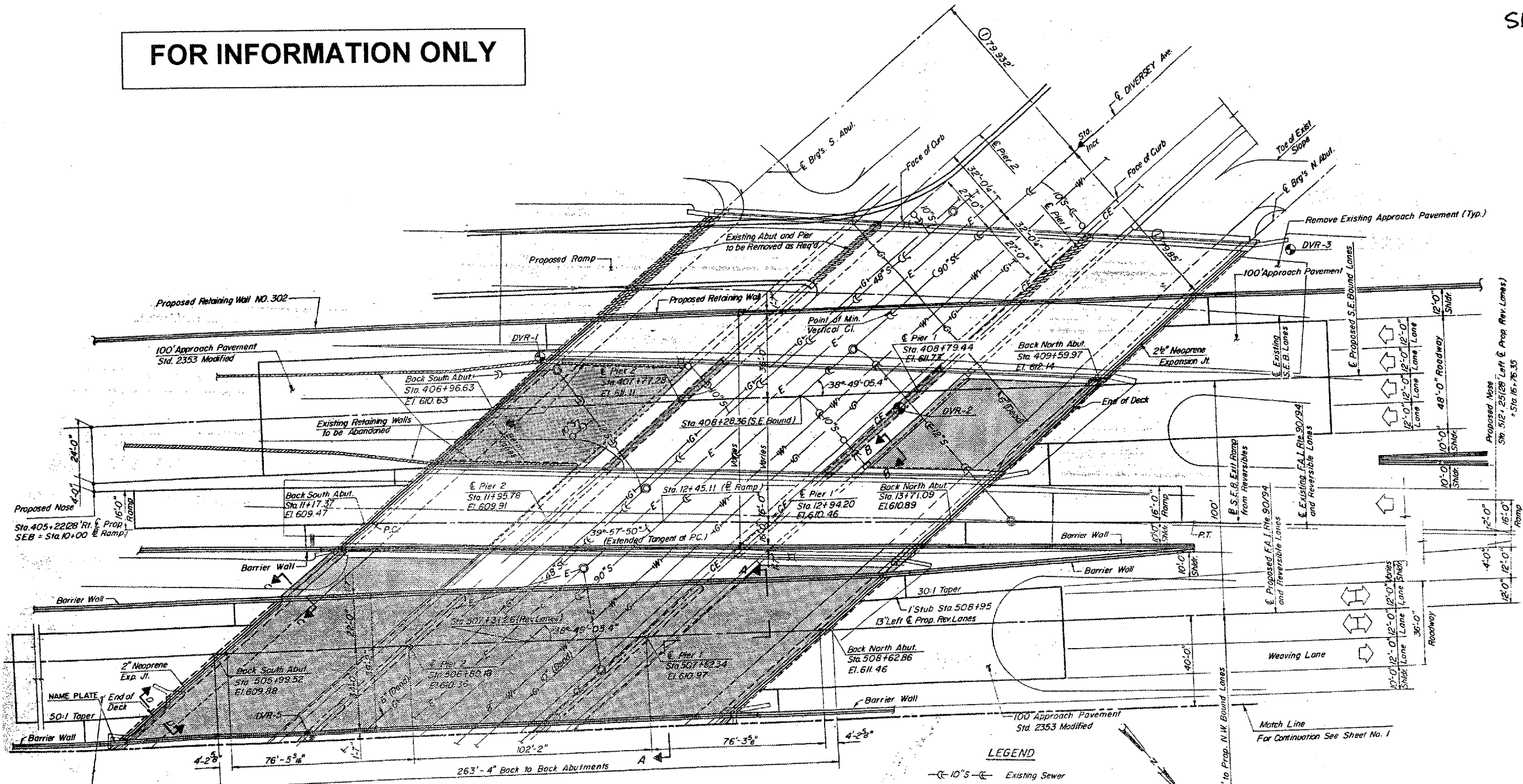
ILLINOIS DEPARTMENT OF
TRANSPORTATION
BRIDGE PLAN
I-90/94 OVER CALIFORNIA
LOC 3 (SN 016-1076)

ROUTE	SECTION	COUNTY	TOTAL SHEETS	SHEET NUMBER
I-90/94	2006-0101	COOK	16	14

CONTRACT NO: 60B33

Sh 1 of 3

FOR INFORMATION ONLY



NOTE:
 - For Section A-A, C-C, and D-D see Sheet No. 4.
 - Work this Sheet with Sheet No. 1.

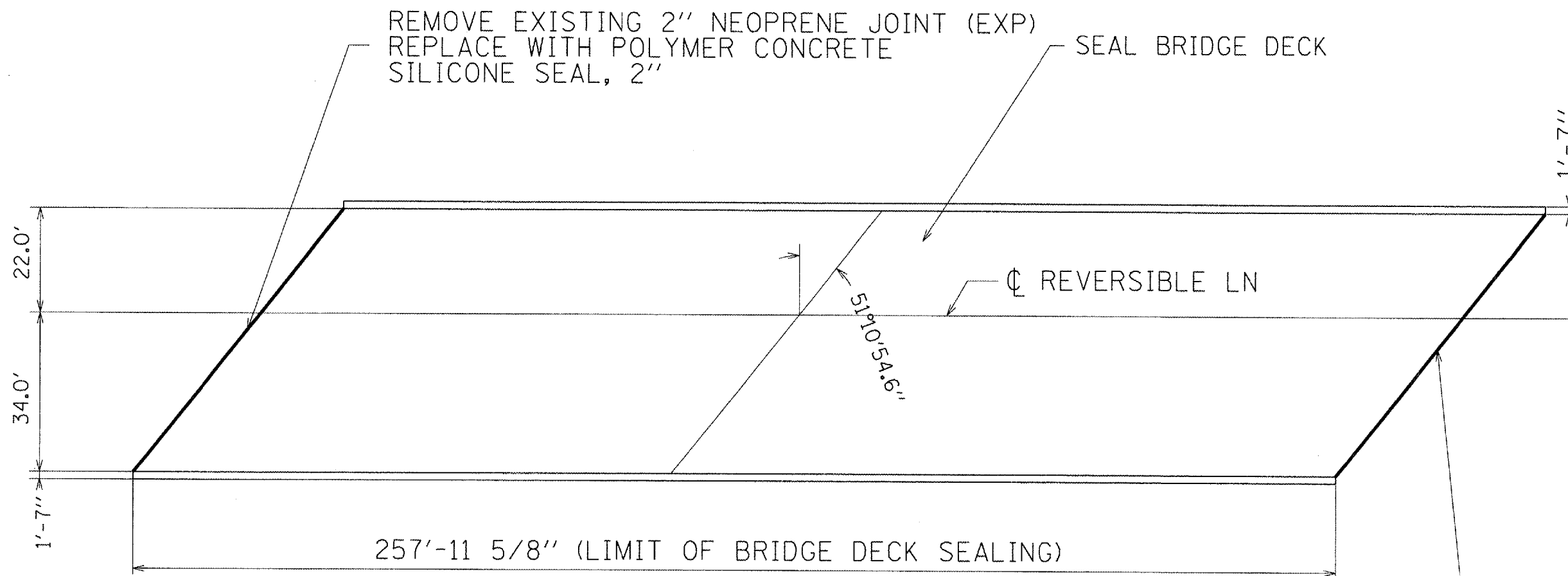
- LEGEND**
- 10" S — Existing Sewer
 - Existing Manhole
 - Existing Catch Basin
 - Existing Inlet
 - ⊕ Location of New Borings
 - Existing Light Pole
 - W — Existing Water Line (City of Chicago)
 - G — Existing Gas Line (Peoples Gas)
 - E — Existing Electrical Line (City of Chicago Traffic & Lighting)
 - CE — Existing Electrical Line (Commonwealth Edison)

ILLINOIS DEPARTMENT OF
 TRANSPORTATION
BRIDGE PLAN
 I-90/94 OVER DIVERSEY
 LOC 4 (SN 016-1073)

ROUTE	SECTION	COUNTY	TOTAL SHEETS	SHEET NUMBER
FAI 90/94	2006-0101	COOK	16	15

CONTRACT NO: 60B33

Sh 2 of 3



PLAN

REMOVE EXISTING 2-1/2" NEOPRENE JOINT (EXP)
REPLACE WITH POLYMER CONCRETE
SILICONE SEALER, 2.5"

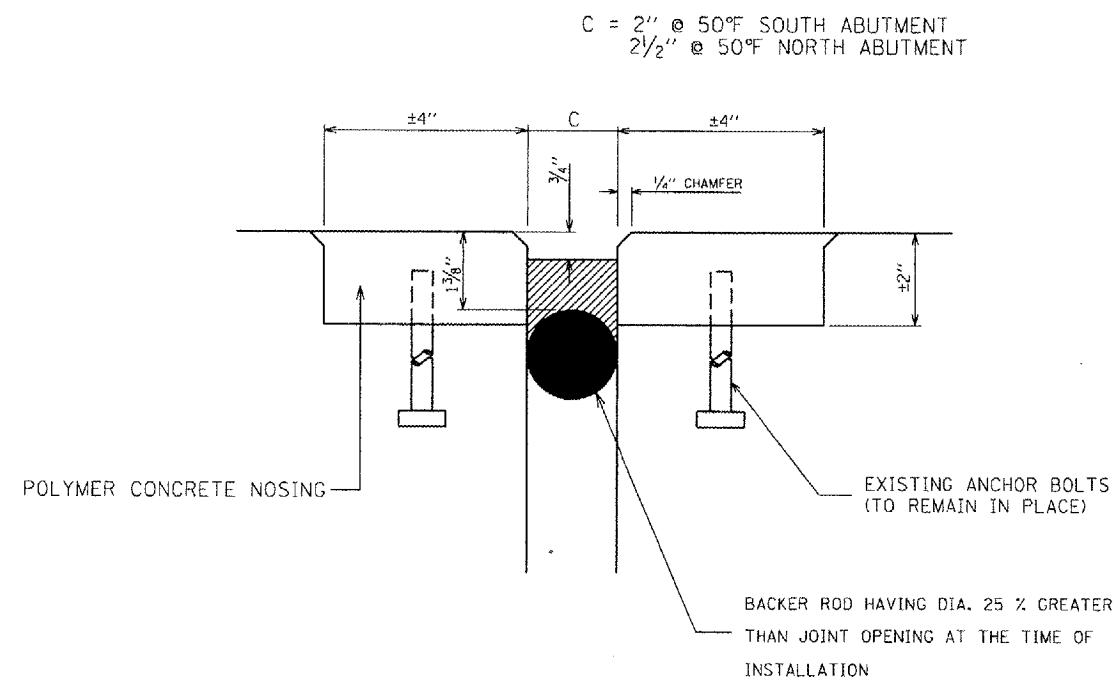
BILL OF MATERIAL

PAY ITEM	UNIT	QTY
POLYMER CONCRETE	CU FT	21
SILICONE JOINT SEALER, 2"	FOOT	92
SILICONE JOINT SEALER, 2-1/2"	FOOT	92
PROTECTIVE COAT	SQ YD	1605

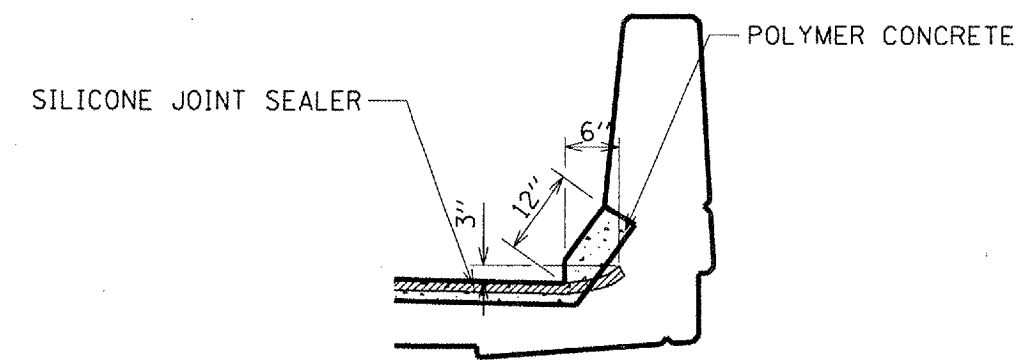
ILLINOIS DEPARTMENT OF
TRANSPORTATION
BRIDGE PLAN
I-90/94 OVER DIVERSEY
LOC 4 (SN 016-1073)

ROUTE	SECTION	COUNTY	TOTAL SHEETS	SHEET NUMBER
FAI 90/94	2006-010 I	COOK	16	16

CONTRACT NO: 60B33
Sh 3 of 3



PROPOSED SILICONE JOINT SEAL DETAIL



END OF SEAL TREATMENT

ILLINOIS DEPARTMENT OF
TRANSPORTATION
BRIDGE PLAN
I-90/94 OVER DIVERSEY
LOC 4 (SN 016-1073)