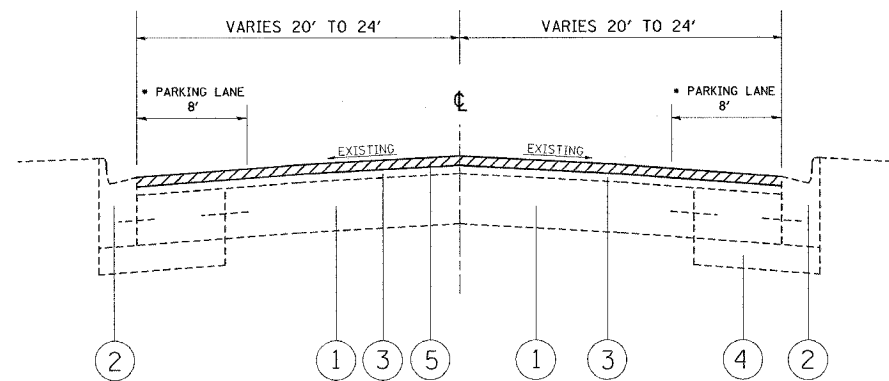
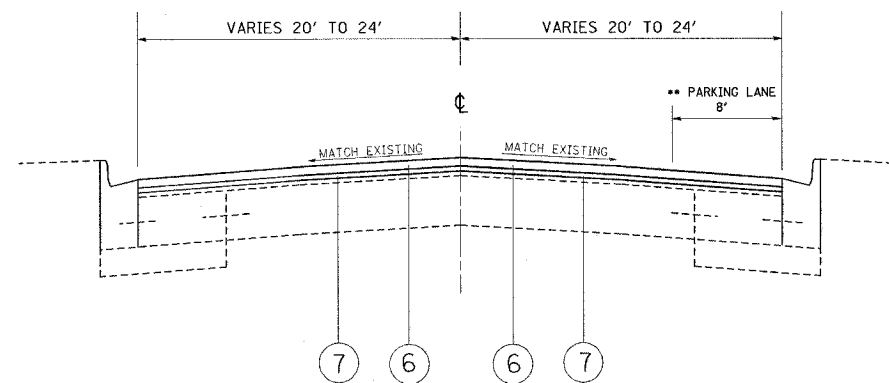


F.A.U. RTE.	SECTION	COUNTY	TOTAL SHEETS	SHEET NO.
1583	0505 RS-5	COOK	29	5
STA.		TO STA.		
FED. ROAD DIST. NO. 1 ILLINOIS		FED. AID PROJECT		

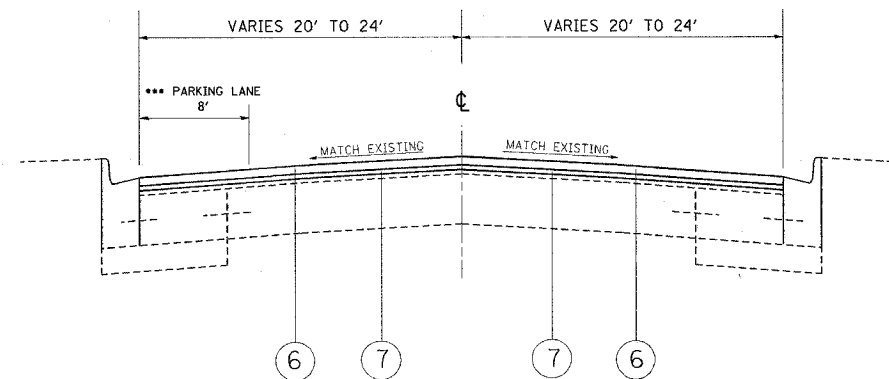
CONTRACT NO. 60B90



* SEE PLAN SHEET FOR LOCATIONS OF PARKING LANES



** SEE PLAN SHEET FOR LOCATIONS OF PARKING LANES
(PARKING LANE ON RIGHT)



*** SEE PLAN SHEET FOR LOCATIONS OF PARKING LANES
(PARKING LANE ON LEFT)

LEGEND:

- ① EXISTING P.C.C. PAVEMENT, 9''(+)
- ② EXISTING COMB. CONC. CURB & GUTTER TYPE B-6.12 & B-6.24
- ③ EXISTING HOT-MIX ASPHALT SURFACE AFTER MILLING, 1'' (+)
- ④ EXISTING SUB-BASE GRANULAR MATERIAL, TYPE B (4'')
- ⑤ PROPOSED HOT-MIX ASPHALT SURFACE REMOVAL, 2 1/4 ''
- ⑥ PROPOSED HOT-MIX ASPHALT SURFACE COURSE, MIX "D", N70, 1 1/2 ''.
- ⑦ PROPOSED POLYMERIZED LEVELING BINDER (MACHINE METHOD), N50, 3/4 ''

REVISIONS	
NAME	DATE

ILLINOIS DEPARTMENT OF TRANSPORTATION
115TH STREET
PULASKI RD. TO WESTERN AVENUE
PROPOSED TYPICAL SECTIONS

SCALE: VERT. NTS
HORIZ.
DATE 11/6/2006

DRAWN BY: HMO
CHECKED BY: