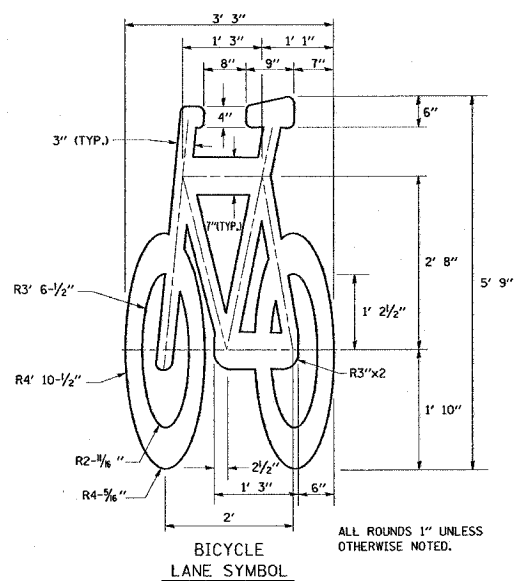
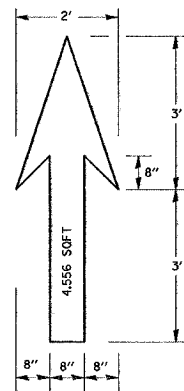


F.A.U. RTE.	SECTION	COUNTY	TOTAL SHEETS	SHEET NO.
1583	0505 RS-5	COOK	29	24
STA.		TO STA.		
FED. ROAD DIST. NO.		ILLINOIS FED. AID PROJECT		

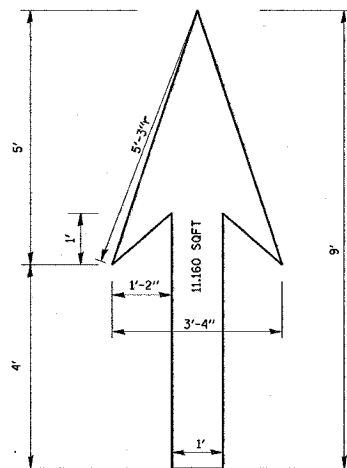


NOTE:
 1.) FOR BIKE LANE SYMBOLS ONLY, USE PRE-FORMED THERMOPLASTIC WITH A MINIMUM THICKNESS OF 90 MILS, MINIMUM SKID RESISTANCE VALUE OF 60 BPN, & A MINIMUM INDEX OF REFRACTION OF 1.50.

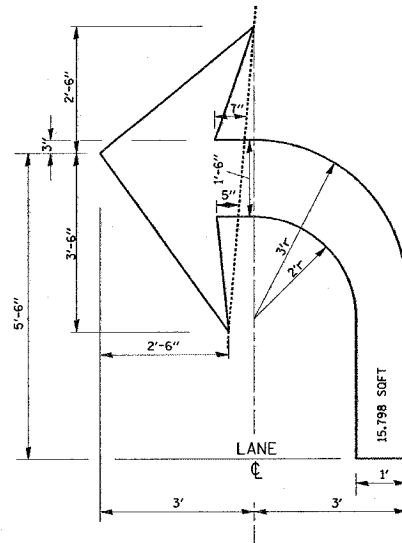
2.) THE RESIDENT ENGINEER SHALL CONTACT MR. BEN GOMBERG AT 312-744-8093 AT LEAST ONE CALENDAR WEEK PRIOR TO INSTALLING BIKE LANE SYMBOLS.

TYPICAL BIKE LANE SYMBOLS
DRAWING #28

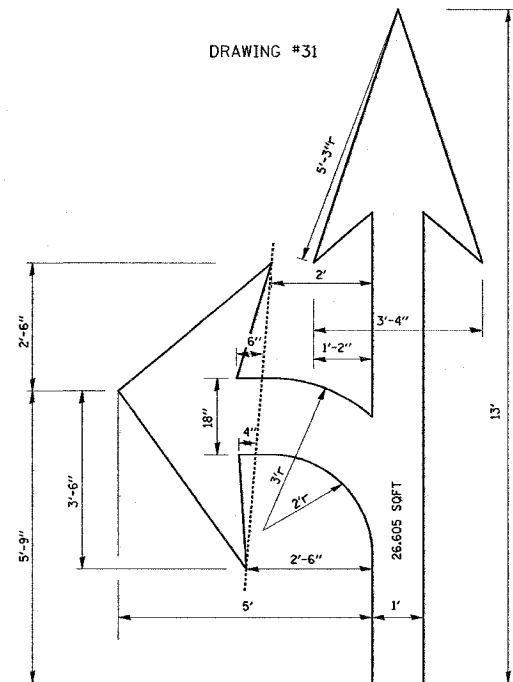
DRAWING #29



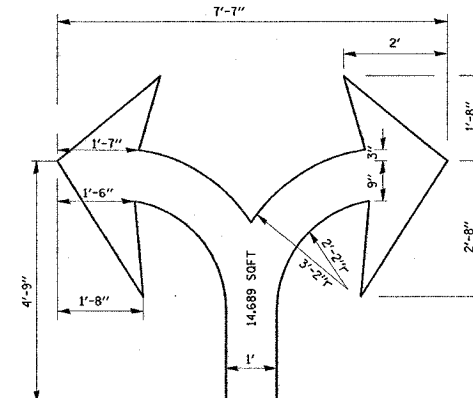
DRAWING #30



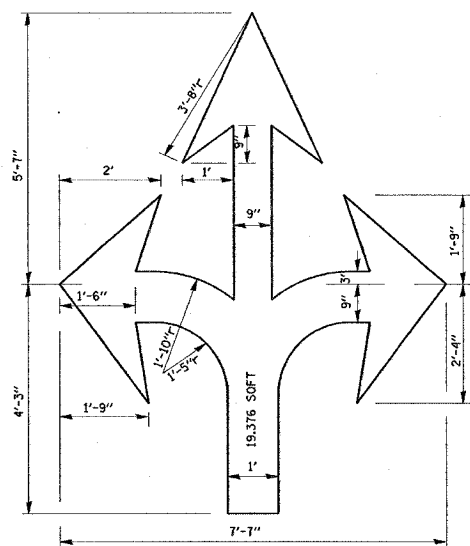
DRAWING #31



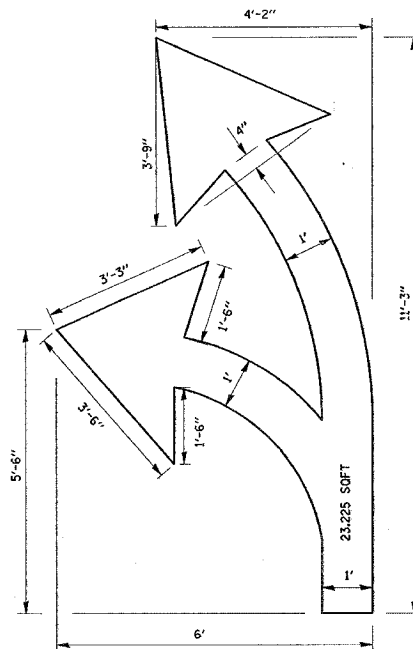
DRAWING #32



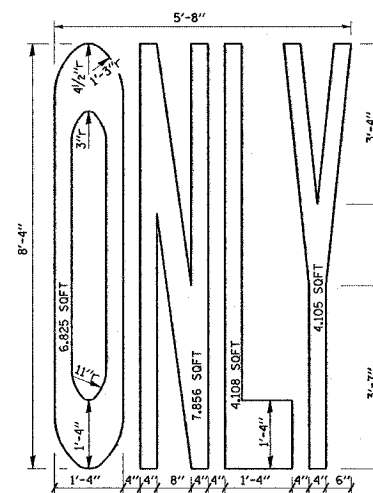
DRAWING #33



DRAWING #34



DRAWING #35



NOTE:
 ALL MARKINGS SHALL BE SOLID WHITE UNLESS OTHERWISE NOTED IN THE PLANS

REVISIONS	
NAME	DATE
T. RAMMACHER	12/07/00

ILLINOIS DEPARTMENT OF TRANSPORTATION
CITY OF CHICAGO
 TYPICAL PAVEMENT MARKINGS.

SCALE: NONE
 DATE: 11/6/2006

DRAWN BY
 CHECKED BY

TC-24
 REVISION DATE: 02/25/04

PLOT DATE = 11/16/2006
 FILE NAME = h:\ad\ssca\to24.dgn
 PLOT SCALE = 50.0000 / IN.
 USER NAME = csmshin