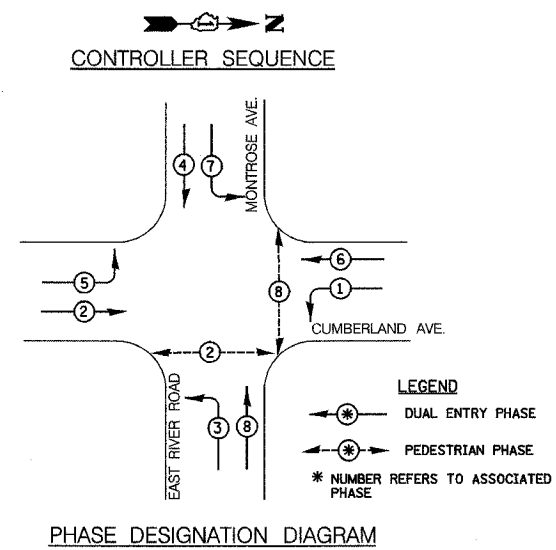
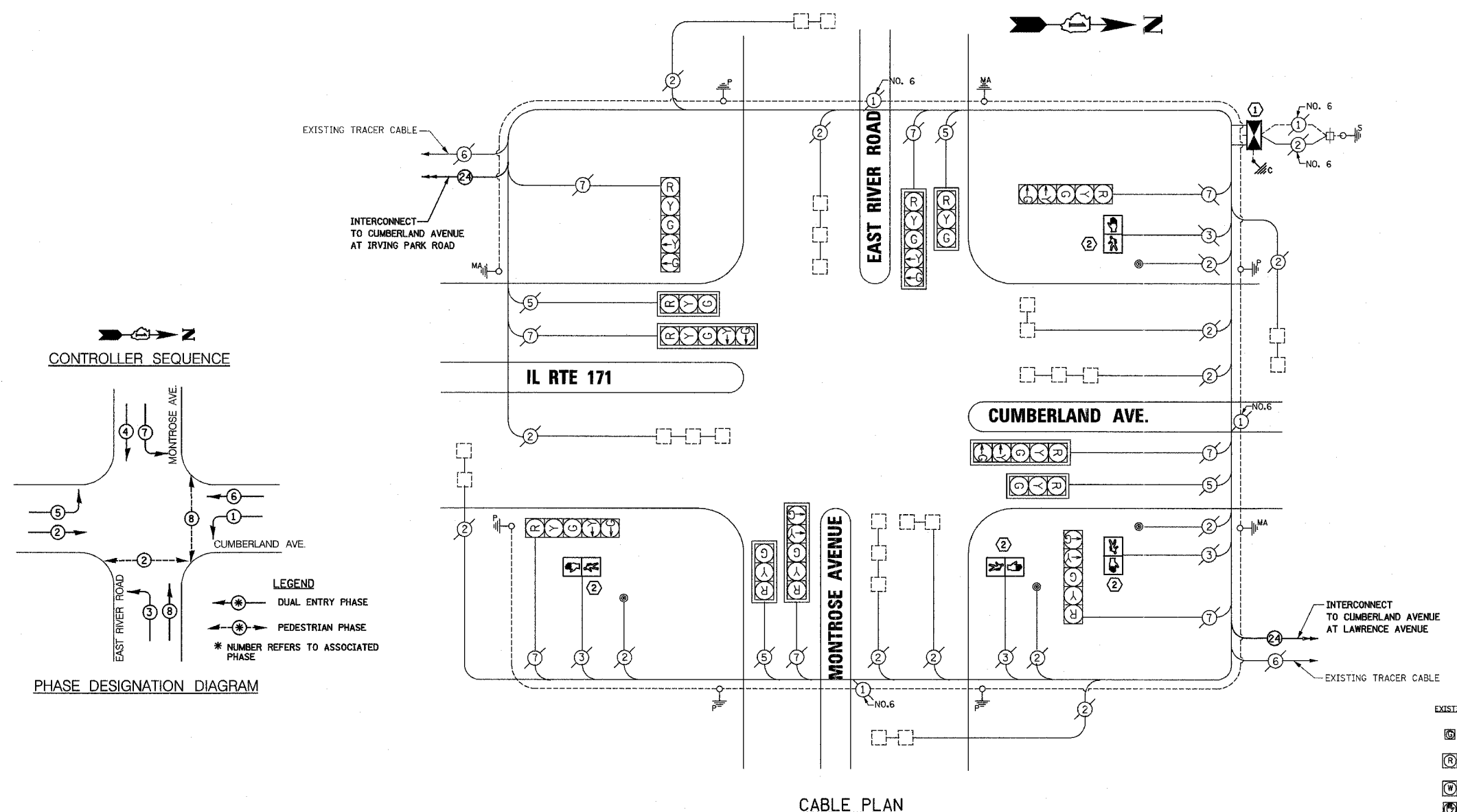


F.A.P. RTE.	SECTION	COUNTY	TOTAL SHEETS	SHEET NO.
372	2006-039TS	COOK	36	24
STA.		TO STA.		
FED. ROAD DIST. NO.		ILLINOIS	FED. AID PROJECT	
CONTRACT NO. 60C01				



- CONSTRUCTION NOTES:**
- 1 REMOVE EXISTING CONTROLLER AND CABINET. INSTALL NEW LOCAL CONTROLLER AND TYPE IV CABINET, RE-USE EXISTING FOUNDATION.
 - 2 REMOVE EXISTING PEDESTRIAN SIGNAL HEAD, 1-FACE, BRACKET MOUNTED, INSTALL NEW PEDESTRIAN SIGNAL HEAD, 1-FACE, BRACKET-MOUNTED.
 - 3 THE CONTRACTOR SHALL BE REQUIRED TO MAINTAIN THE OPERATION OF THE TRAFFIC SIGNALS DURING THE ENTIRE PROJECT.

CABLE PLAN LEGEND

EXISTING	PROPOSED	EXISTING	PROPOSED

SCHEDULE OF QUANTITIES

ITEM	UNIT	QUANTITY
MAINTENANCE OF EXISTING TRAFFIC SIGNAL INSTALLATION	EACH	1
FULL ACTUATED CONTROLLER AND TYPE IV CABINET, SPECIAL TRANSCIVER, FIBER OPTIC	EACH	1
PEDESTRIAN SIGNAL HEAD, 1-FACE, BRACKET MOUNTED	EACH	1
INDUCTIVE LOOP DETECTOR	EACH	4
REMOVE EXISTING TRAFFIC SIGNAL EQUIPMENT	EACH	10
	EACH	1

I.D.O.T. TRAFFIC SIGNAL INSTALLATION ELECTRICAL SERVICE REQUIREMENTS

TYPE	NO. LAMPS	WATTAGE (INCAND.)	LED	% OPERATION	TOTAL WATTAGE
SIGNAL (RED)	12	135		0.50	1620
(YELLOW)	12	135		0.25	810
(GREEN)	12	135		0.25	810
ARROW	16	135		0.10	216
PED. SIGNAL	4	90		1.00	720
CONTROLLER	1	100		1.00	100
TOTAL =					4276

ENERGY COSTS - BILLED TO: 25% VILLAGE OF NORRIDGE (ADDRESS) 4000 OLCOTT AVENUE NORRIDGE, IL 60706

BILLED TO: 75% CITY OF CHICAGO (ADDRESS) 121 N. LASALLE STREET CHICAGO, IL 60602

ENERGY SUPPLY - CONTACT: LARRY KESLINKE (708) 410-5314 COMPANY: COM ED

FOUNDATION (DEPTH)	(FT.) (m)	CABLE SLACK	(FT.) (m)	VERTICAL	(FT.) (m)
TYPE A - POST	4 (1.2)	HANDHOLE	6.5 (2.0)	ALL FOUNDATIONS	3.5 (1.0)
D - FOUNDATION	4 (1.2)	DOUBLE HANDHOLE	13 (4.0)	MAST ARM (L) POLE	20' + L - 2' = (6m + L - 0.6m) =
C - M. ARM POLE		SIGNAL POST	2 (0.6)	BRACKET MOUNTED	13 (4.0)
24" (600mm)	10 (3.0)	CONTROLLER CAB.	1 (0.5)	PED. PUSHBUTTON	4 (1.2)
30" (750mm)	15 (4.6)	FIBER OPTIC	13 (4.0)	ELECTRIC SERVICE	13.5 (4.1)
		ELECTRIC SERVICE	1 (0.5)	SERVICE TO GROUND	13.5 (4.1)
		GROUND CABLE	1 (0.5)	POST MOUNTED	6 (1.8)

NOTE: THE TRAFFIC SIGNAL CONTROL EQUIPMENT FOR THIS PROJECT SHALL BE "EAGLE".

SETON ENGINEERING
SERVICE CORPORATION
CIVIL ENGINEERS
19 S. BOTHWELL STREET
PALATINE, ILLINOIS 60067
VOICE: 847-776-7200 FAX: 847-776-7239

REVISIONS

NAME	DATE

ILLINOIS DEPARTMENT OF TRANSPORTATION
CABLE PLAN
PHASE DESIGNATION DIAGRAM AND SCHEDULE OF QUANTITIES
IL RTE 171 (CUMBERLAND AVENUE) AT MONTROSE AVENUE CHICAGO, ILLINOIS

SCALE: N.T.S.
DATE: 10-23-06

DRAWN BY: CWC, BR
DESIGNED BY: VO
CHECKED BY: TJM