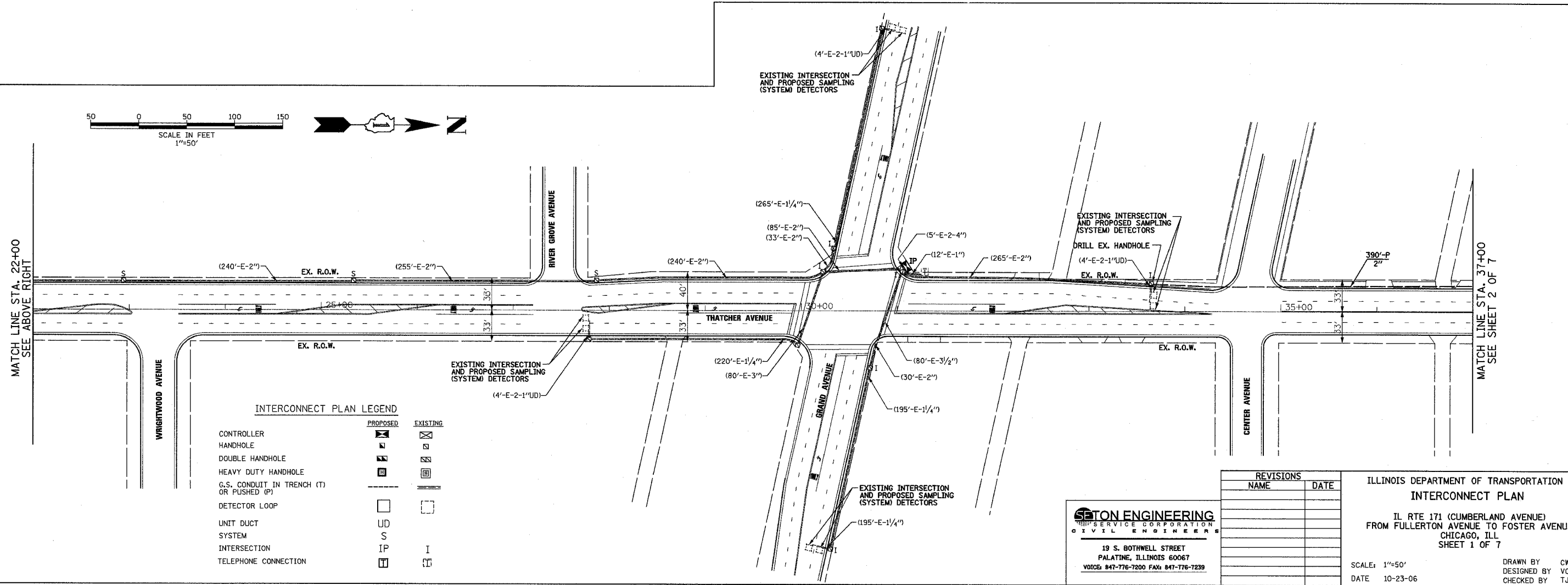
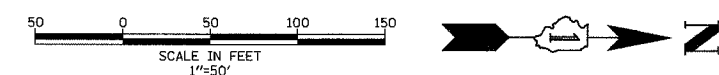
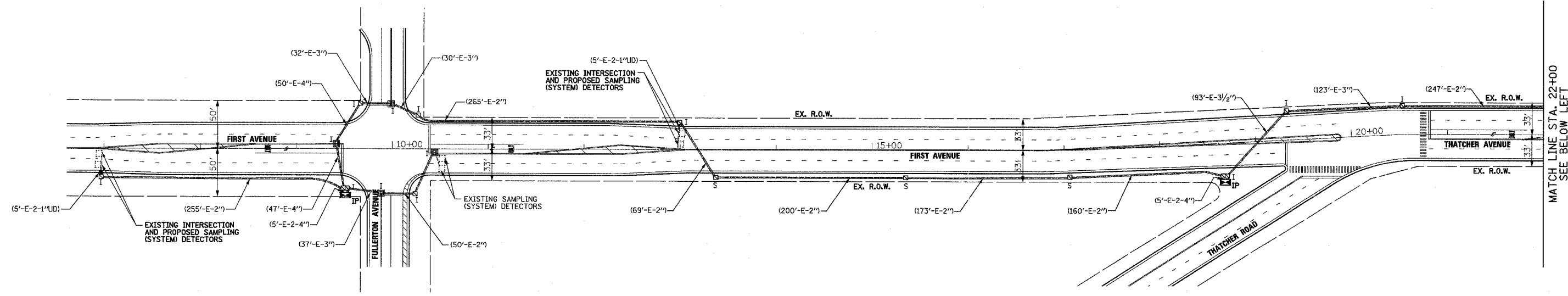


F.A.P. RTE.	SECTION	COUNTY	TOTAL SHEETS	SHEET NO.
372	2006-039TS	COOK	36	29
STA.		TO STA.		
FED. ROAD DIST. NO.		ILLINOIS FED. AID PROJECT		
CONTRACT NO. 60001				



**INTERCONNECT PLAN LEGEND**

	PROPOSED	EXISTING
CONTROLLER		
HANDHOLE		
DOUBLE HANDHOLE		
HEAVY DUTY HANDHOLE		
G.S. CONDUIT IN TRENCH (T) OR PUSHED (P)		
DETECTOR LOOP		
UNIT DUCT	UD	
SYSTEM	S	
INTERSECTION	IP	I
TELEPHONE CONNECTION		

**SETON ENGINEERING**  
 SERVICE CORPORATION  
 CIVIL ENGINEERS  
 19 S. BOTHWELL STREET  
 PALATINE, ILLINOIS 60067  
 VOICE: 847-776-7200 FAX: 847-776-7239

REVISIONS	
NAME	DATE

ILLINOIS DEPARTMENT OF TRANSPORTATION  
**INTERCONNECT PLAN**  
 IL RTE 171 (CUMBERLAND AVENUE)  
 FROM FULLERTON AVENUE TO FOSTER AVENUE  
 CHICAGO, ILL  
 SHEET 1 OF 7

SCALE: 1"=50'  
 DATE: 10-23-06

DRAWN BY: CWC, BR  
 DESIGNED BY: VO  
 CHECKED BY: TJM