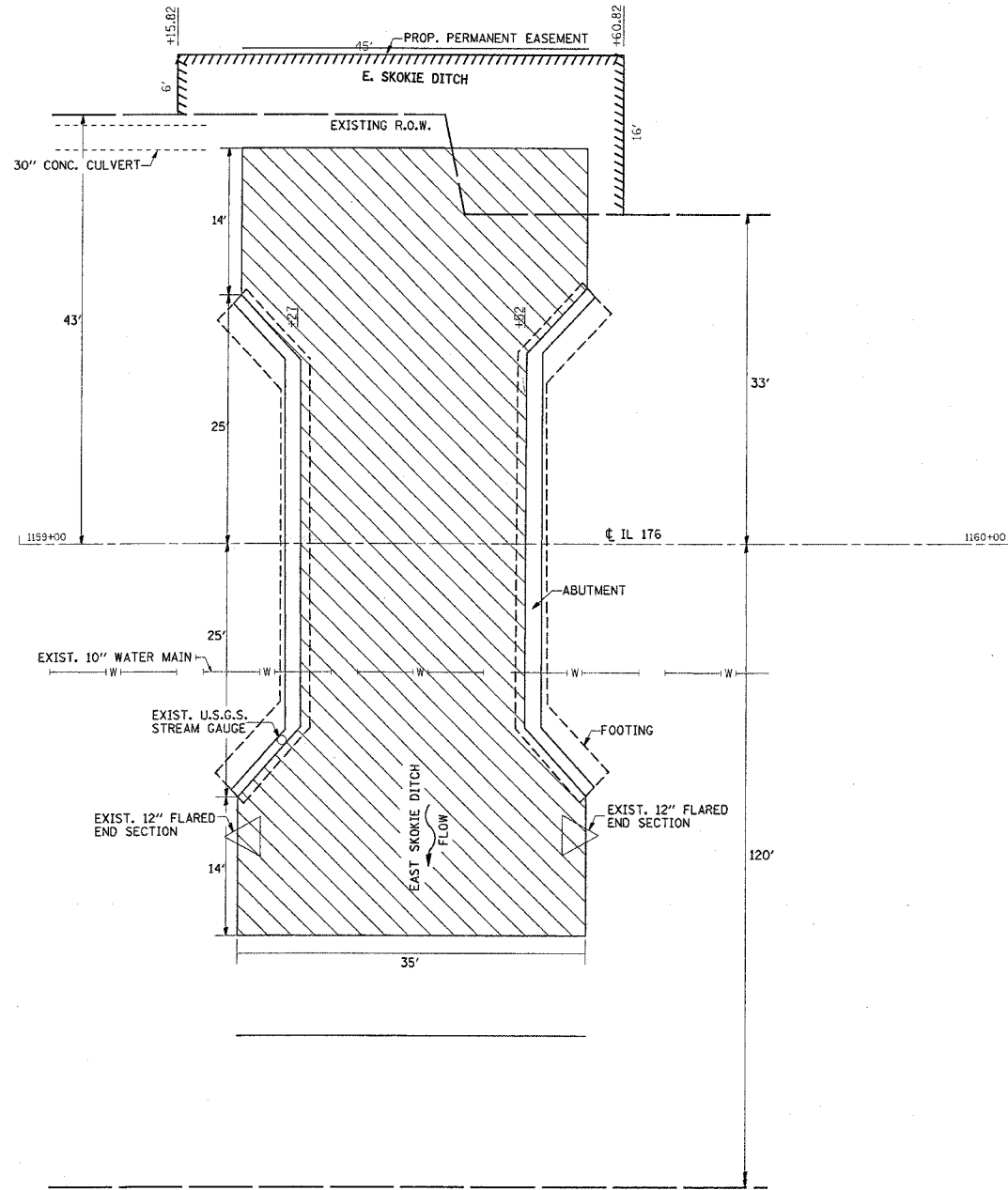
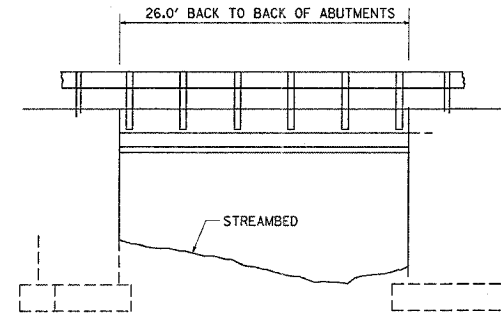
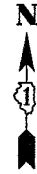


F.A. RTE.	SECTION	COUNTY	TOTAL SHEETS	SHEET NO.
	2003-067I	VARIOUS	23	12
STA.		TO STA.		
FED. ROAD DIST. NO. ILLINOIS		FED. AID PROJECT		

62635



PLAN



ELEVATION

ACCESS TO THIS SITE IS LIMITED. THE CONTRACTOR SHALL ONLY ACCESS THIS SITE BY RAISING AND/OR LOWERING ALL EQUIPMENT AND MATERIAL OVER THE SIDES OF THE BRIDGE OR ON SOUTH SIDE OF BRIDGE FROM SWALE UNDER COM ED AND TELEPHONE LINES. THE CONTRACTOR WILL NOT BE ALLOWED OTHER ACCESS WITHOUT WRITTEN PERMISSION FROM THE ENGINEER. THIS WORK WILL NOT BE PAID FOR SEPARATELY, BUT SHALL BE CONSIDERED AS INCLUDED IN THE CONTRACT UNIT PRICES FOR THE CONSTRUCTION ITEMS INVOLVED AND NO ADDITIONAL COMPENSATION WILL BE ALLOWED

NOTE: LOW CLEARANCE UNDER BRIDGE

TBM 7: CUT ON WINGWALL (NW CORNER OF BRIDGE)
16.2 FT. LEFT OF STA. 1159+28
EL. = 672.18

BM 7: CHISELED ON TOP OF SOUTH END OF WEST ABUTMENT
OF ABANDONED C. & N.S. R.R., 70 FT. RT. STA. 1159+10
EL. = 673.70

REVISIONS	
NAME	DATE

ILLINOIS DEPARTMENT OF TRANSPORTATION

**STR. NO. 049-0013
IL. 176 OVER
THE EAST SKOKIE DITCH
LOCATION 3**

SCALE: NONE
DATE 10/25/2006

DRAWN BY
CHECKED BY