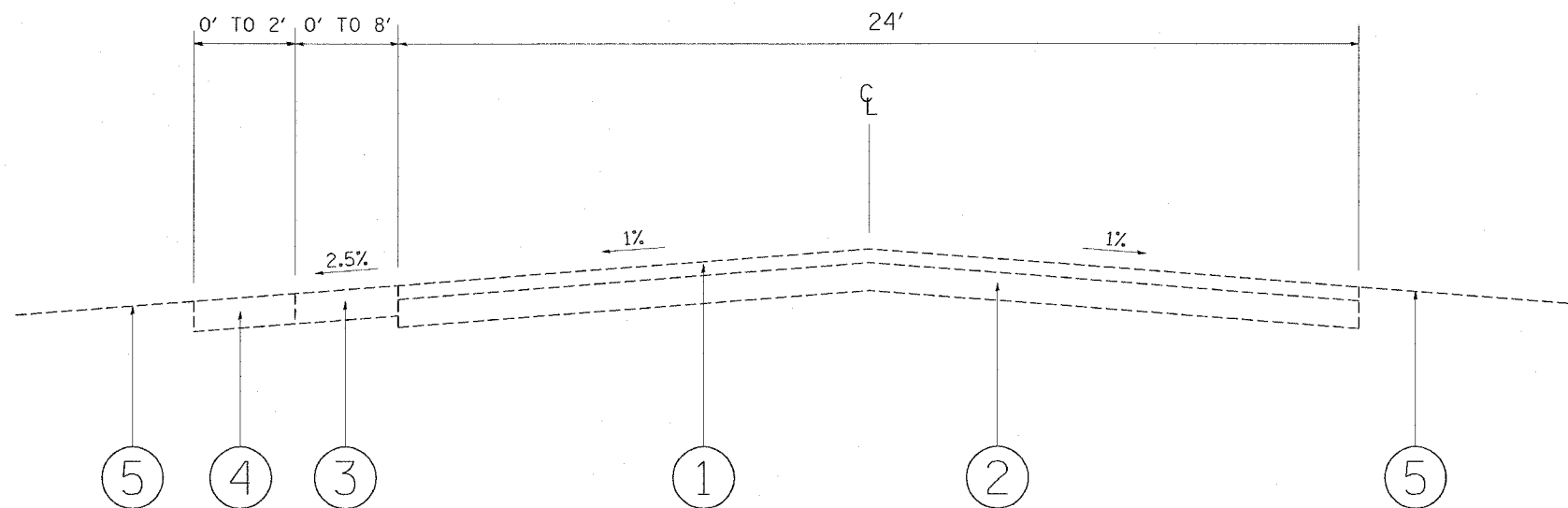
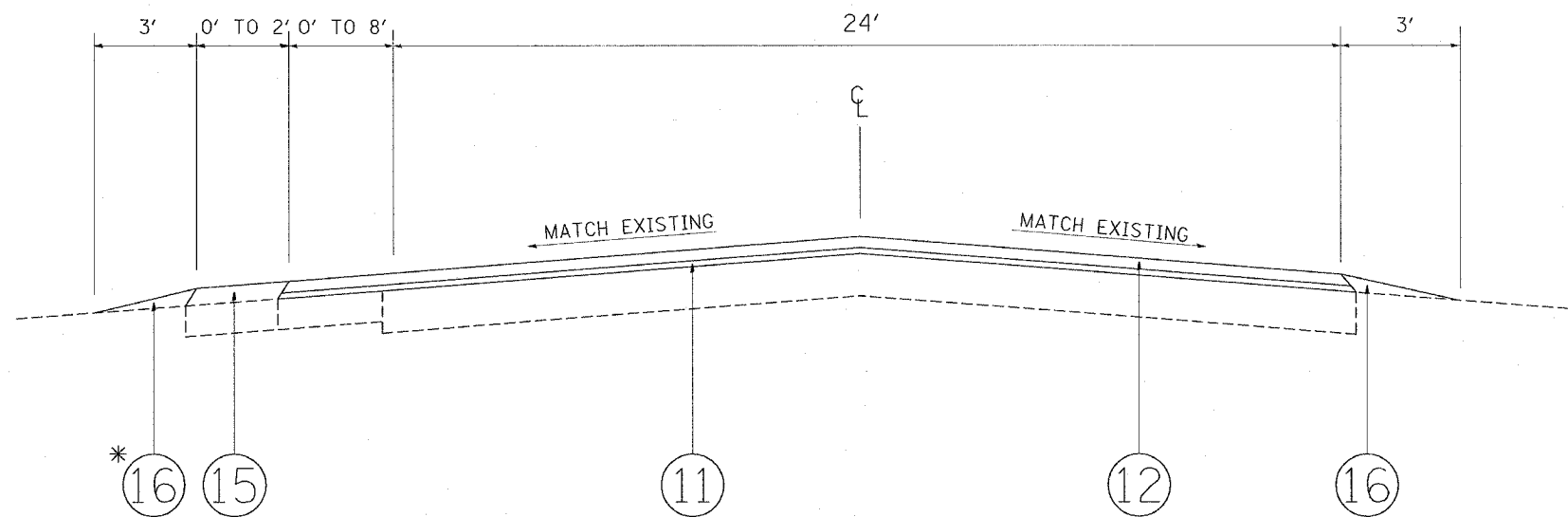


F.A.I. RTE.	SECTION	COUNTY	TOTAL SHEETS	SHEET NO.
* 2004-025 RS	LAKE	116	16	
FED. ROAD DIST. NO.	ILLINOIS FED. AID PROJECT			
* PARK ROADS	IDNR File No. 2-03-025A			D91-191-04



EXISTING TYPICAL SECTION
 SPRING BLUFF ROAD
 STA. 34+30 TO STA. 38+50



PROPOSED TYPICAL SECTION
 SPRING BLUFF ROAD
 STA. 34+30 TO STA. 38+50

* ONLY TO BE USED WHEN NO PROPOSED SHOULDER IS BEING PLACED

LEGEND

- ① EXISTING BITUMINOUS PAVEMENT, 3"
- ② EXISTING AGGREGATE BASE COURSE, 6"
- ③ EXISTING BITUMINOUS SHOULDER
- ④ EXISTING AGGREGATE SHOULDER
- ⑤ EXISTING GROUND COVER
- ⑥ PROPOSED GEOTECHNICAL FABRIC
- ⑦ PROPOSED AGGREGATE SUBGRADE, 12"
- ⑧ PROPOSED SUB-BASE GRANULAR MATERIAL, TYPE B, 6"
- ⑨ PROPOSED BITUMINOUS BASE COURSE, SUPERPAVE, 6"
- ⑩ PROPOSED BITUMINOUS BASE COURSE, SUPERPAVE, 7 1/2"
- ⑪ PROPOSED POLYMERIZED LEVELING BINDER (MACHINE METHOD) SUPERPAVE, IL-4.75, N50, 3/4"
- ⑫ PROPOSED BITUMINOUS CONCRETE SURFACE COURSE, SUPERPAVE, MIX "D", N50, 1 1/2"
- ⑬ PROPOSED BITUMINOUS SHOULDER, SUPERPAVE, 8"
- ⑭ PROPOSED AGGREGATE SHOULDER, 8"
- ⑮ PROPOSED AGGREGATE SHOULDER, TYPE B
- ⑯ PROPOSED TOPSOIL FURNISH AND PLACE, 4" (SPECIAL), SEEDING, CLASS 4A (MODIFIED), EROSION CONTROL BLANKET (SPECIAL)
- ⑰ PROPOSED CONCRETE SHOULDER
- ⑱ PROPOSED CONCRETE CURB AND GUTTER, TYPE B-6.24
- ⑲ SLOTTED DRAIN

HMA - HOT MIX ASPHALT

PLOT DATE = 11/27/2006
 FILE NAME = c:\p\projects\113188\design\road.dgn
 PLOT SCALE = 50.0000 / IN.
 REFERENCE = 0REF

REVISIONS		ILLINOIS DEPARTMENT OF TRANSPORTATION
NAME	DATE	
		PARK ROADS ILLINOIS BEACH STATE PARK NORTH POINT MARINA TYPICAL SECTIONS SCALE: VERT. _____ HORIZ. _____ DATE _____
DRAWN BY: CDT		CHECKED BY