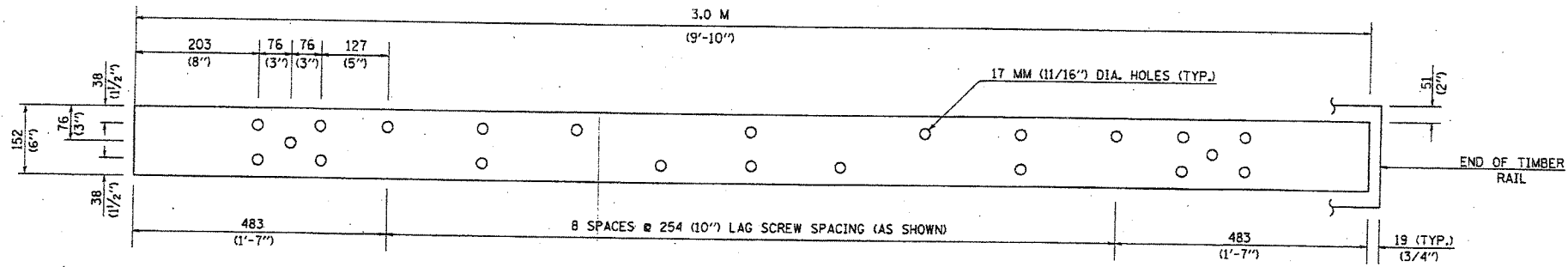
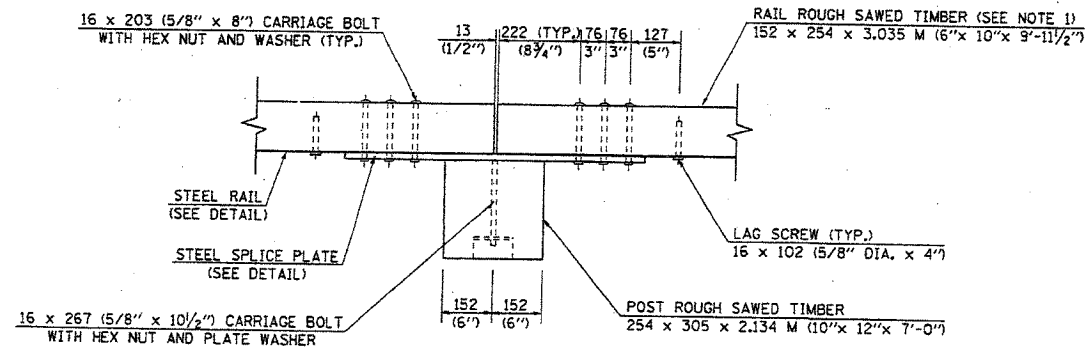


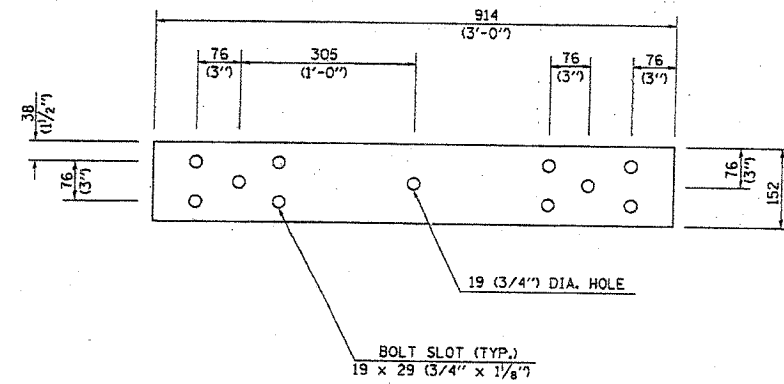
F.A. RTEL	SECTION	COUNTY	TOTAL SHEETS	SHEET NO.
*	2004-025 RS	LAKE	116	92a
FED. ROAD DIST. NO. 1		ILLINOIS	FED. AID PROJECT	
* PARK ROADS		IDNR FILE NO. 2-03-025A		



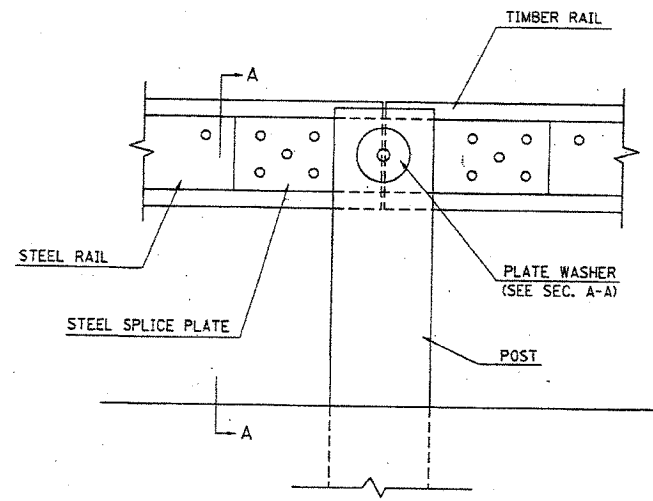
STEEL RAIL DETAIL 152 x 10 x 3 M  
(6'' x 3/8'' x 9'-10'')



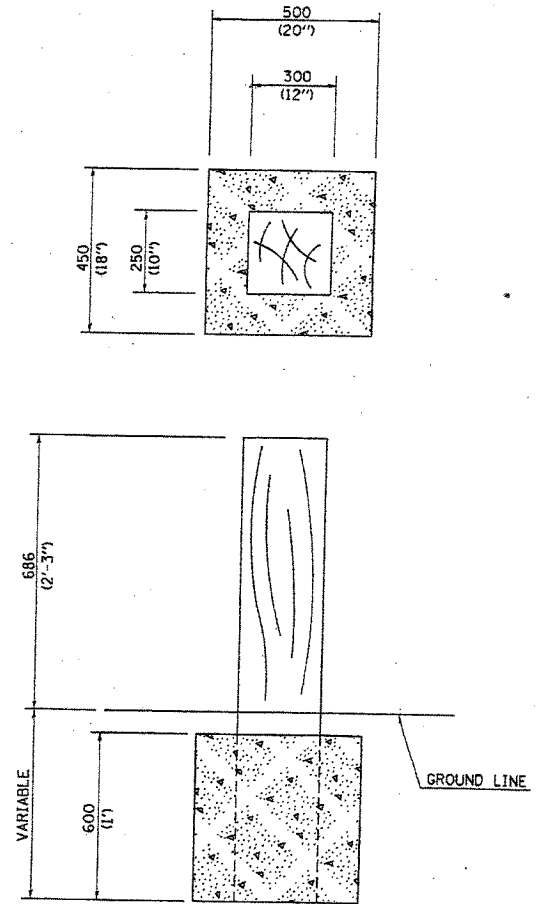
POST CONNECTION DETAIL



STEEL SPLICE PLATE DETAIL  
152 x 10 x 914 (6'' x 3/8'' x 3'-0'')



SECTION A-A



SHORT POST ELEVATION

GENERAL NOTES

1. ALL DIMENSIONS ARE IN MILLIMETERS (INCHES) UNLESS OTHERWISE SHOWN
2. USE WEATHERING STEEL FOR ALL STRUCTURAL STEEL AND FASTENER HARDWARE
3. POST TYPE: 254 (10'') x 305 (12'') WOOD  
BEAM TYPE: 152 (6'') x 254 (10'') WOOD WITH STEEL PLATE BACKING
4. REFER TO ARTICLE 1007.12 OF THE STANDARD SPECIFICATIONS
5. USE WATER BORNE PRESERVATIVE ONLY

REVISIONS	
NAME	DATE

ILLINOIS DEPARTMENT OF TRANSPORTATION  
DETAIL OF STEEL-BACKED  
TIMBER GUARDRAIL  
SCALE: VERT. NTS  
HORIZ. DATE  
DRAWN BY  
CHECKED BY