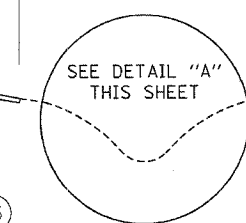
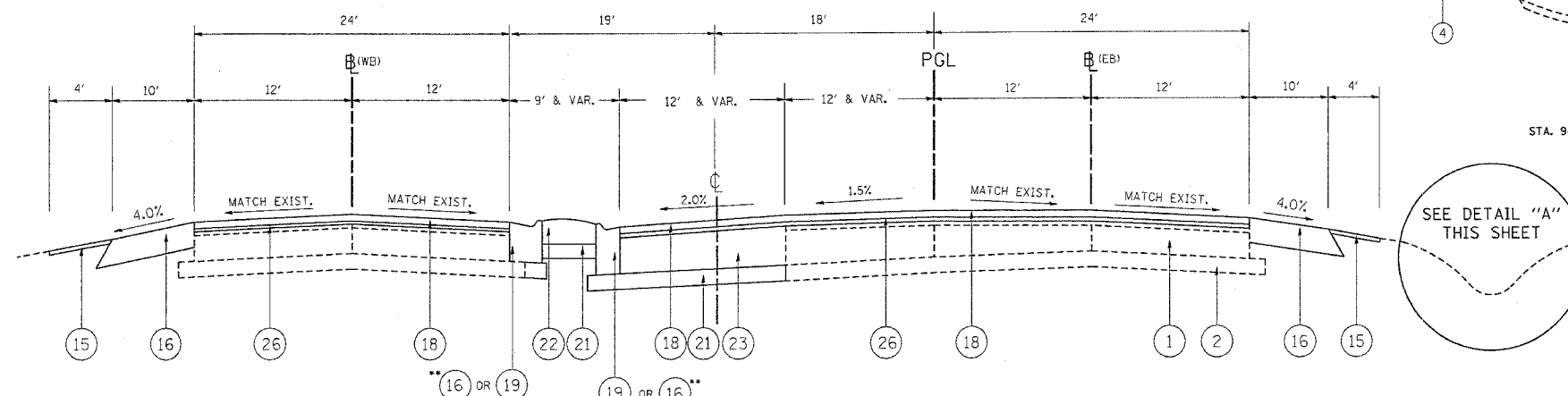
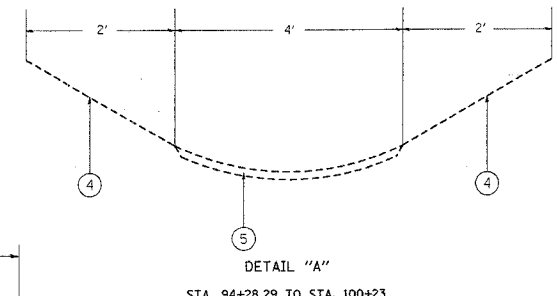
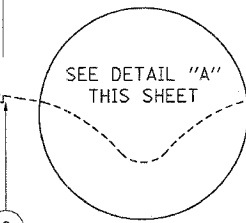
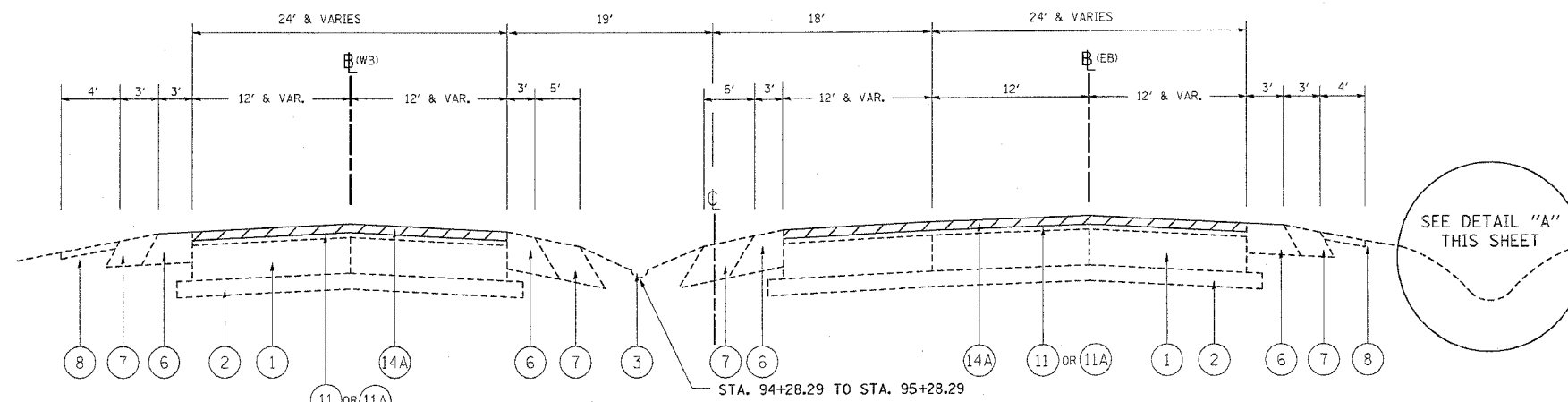


F.A.P. RTE.	SECTION	COUNTY	TOTAL SHEETS	SHEET NO.
342	(G&I) 1-N-1	LAKE	70	6
STA.		TO STA.		
FED. ROAD DIST. NO.	ILLINOIS	FED. AID PROJECT		

LEGEND:

- ① EXISTING PCC PAVEMENT, 10"
- ② EXISTING AGGREGATE BASE COURSE, 4"
- ③ EXISTING COMB. CURB & GUTTER, TYPE V
- ④ EXISTING GROUND
- ⑤ EXISTING FABRIC FORMED CONCRETE REVETMENT MATS
- ⑥ EXISTING HOT-MIX ASPHALT SHOULDER, 8"
- ⑦ EXISTING AGGREGATE SHOULDERS, TYPE B, 8"
- ⑧ EXISTING EROSION CONTROL BLANKET
- ⑨ EXISTING HOT-MIX ASPHALT BASE COURSE (MS 1200), 9"
- ⑩ EXISTING COMB. CONC. CURB & GUTTER REMOVAL
- ⑪ EXISTING HOT-MIX ASPHALT SURFACE COURSE, 4"
- ⑪A EXISTING HOT-MIX ASPHALT SURFACE COURSE, 2 3/4"
- ⑫ EXISTING PIPE UNDERDRAIN, 4"
- ⑬ EXISTING HOT-MIX ASPHALT SHOULDER, 4"
- ⑭ PROPOSED HOT-MIX ASPHALT SURFACE REMOVAL, VARIABLE DEPTH (3/4" MIN. AND VARIES TO 2 1/2")
- ⑭A PROPOSED HOT-MIX ASPHALT SURFACE REMOVAL, 2 1/2"
- ⑮ PROPOSED EROSION CONTROL BLANKET, SEEDING CL. 2A
- ⑯ PROPOSED HOT-MIX ASPHALT SHOULDER, 8"
- ⑰ PROPOSED POLY. HOT-MIX ASPHALT BINDER COURSE, IL-19, N90, VARIABLE DEPTH (2 1/4" MIN. AND VARIES TO 8")
- ⑱ PROPOSED POLYMERIZED HOT-MIX ASPHALT SURF. COURSE MIX "F", N90, 1-3/4"
- ⑲ PROPOSED COMB. CONC. CURB & GUTTER, TYPE M.2-12
- ⑳ PROPOSED COMB. CONC. CURB & GUTTER, TYPE M.4-24
- ㉑ PROPOSED SUB-BASE GRANULAR MATERIAL, TYPE B, 4"
- ㉒ PROPOSED CONCRETE MEDIAN SURFACE 5"
- ㉓ PROPOSED HOT-MIX ASPHALT BASE COURSE, 10"
- ㉔ PROPOSED COMB. CONC. CURB & GUTTER, TYPE B.6-24
- ㉕ PROPOSED PIPE UNDERDRAIN, 4"
- ㉖ PROPOSED POLY. LEVELING BINDER (MACHINE METHOD), IL-4.75, N50, 3/4"



SUBGRADE TREATMENT PLAN NOTES

POROUS GRANULAR EMBANKMENT, SUBGRADE (PGES) HAS BEEN RECOMMENDED FOR USE AT THE LOCATIONS INDICATED FOR SOILS THAT TEND TO BE UNSUITABLE OR UNSTABLE. THE ACTUAL NEED FOR REMOVAL AND REPLACEMENT WITH PGES WILL BE DETERMINED IN THE FIELD AT THE TIME OF CONSTRUCTION BY THE GEOTECHNICAL ENGINEER. ALL POTENTIALLY UNSTABLE SOILS SHOULD BE TESTED WITH A STATIC CONE PENETROMETER AND TREATED IN ACCORDANCE WITH ARTICLE 301.03 AND THE UNDERCUT GUIDELINES IN THE IDOT SUBGRADE STABILITY MANUAL. IF UNSTABLE AND/OR UNSUITABLE MATERIAL IS ENCOUNTERED, THE SOIL SHALL BE REMOVED AND REPLACED WITH PGES AS DETERMINED BY THE GEOTECHNICAL ENGINEER. IF UNSTABLE AND/OR UNSUITABLE MATERIAL IS NOT ENCOUNTERED, THEN THE QUANTITY SHALL BE DEDUCTED AND NO ADDITIONAL COMPENSATION WILL BE DUE TO THE CONTRACTOR.

- 1- PROPOSED 12 INCH AGGREGATE SUBGRADE SUFFICIENT AT ALL STATIONS EXCEPT AS SHOWN.
- 2- DEPTH REFERS TO DEPTH OF REMEDIAL TREATMENT BELOW AGGREGATE SUBGRADE.
- 3- REPLACEMENT MATERIAL OR TREATMENT:

EMBANKMENT MATERIAL AND PLACEMENT IN ACCORDANCE WITH SECTIONS 205, 206, 507 AND 210
PGES- POROUS GRANULAR EMBANKMENT, SUBGRADE
FABRIC- GEOTECHNICAL FABRIC

LOCATION	DEPTH INCHS	TREATMENT WIDTH	TREATMENT MATERIAL
IL RTE. 120			
STA 96+00 TO STA 99+70 - EB	12 INCH	PROP. WIDENING	PGES
STA 107+48 TO STA 108+98 - WB	-	PROP. WIDENING	GEO. FABRIC

MIXTURE REQUIREMENTS		
PAY ITEM	AC TYPE	VOIDS
HOT-MIX ASPHALT SHOULDER, 8"	PG 58-22	2 % @ 30 GYR.
HOT-MIX ASPHALT REPLACEMENT OVER PATCHES (BINDER IL-19 MM)	PG 64-22 *	4 % @ 70 GYR.
CLASS D PATCHES (BINDER IL-19 MM)	PG 64-22 *	4 % @ 70 GYR.
POLY. HOT-MIX ASPHALT. CONC. BINDER CSE, IL-19, N90	SBS/SBR PG 70-22	4 % @ 90 GYR.
POLY. HOT-MIX ASPHALT SURFACE COURSE, MIX "F", N90, 1-3/4"	SBS/SBR PG 70-22	4 % @ 90 GYR.
HOT-MIX ASPHALT BASE COURSE, 10"	PG 58-22	2 % @ 50 GYR.
POLY. LEVELING BINDER (MM), IL 4.75, N50, 3/4"	SBS/SBR PG76-28/22	4 % @ 50 GYR.

NOTE 1: THE UNIT WEIGHT USED TO CALCULATE ALL HOT-MIX ASPHALT SURFACE MIXTURE IS 112 LBS/SQYD/IN
* NOTE 2: WHEN RAP EXCEEDS 20%, THE NEW ASPHALT BINDER IN THE MIX SHALL BE PG 58-22

REVISIONS	
NAME	DATE

ILLINOIS DEPARTMENT OF TRANSPORTATION
TYPICAL CROSS SECTION
IL. RTE. 120 (BELVIDERE ROAD)
@ HUNT CLUB ROAD

SCALE: VERT. _____
HORIZ. _____

DATE _____ DRAWN BY _____
CHECKED BY _____

PLOT DATE = 10/14/2006
 FILE NAME = c:\puro\pct\p18\B03.dwg
 REFERENCE = 4884