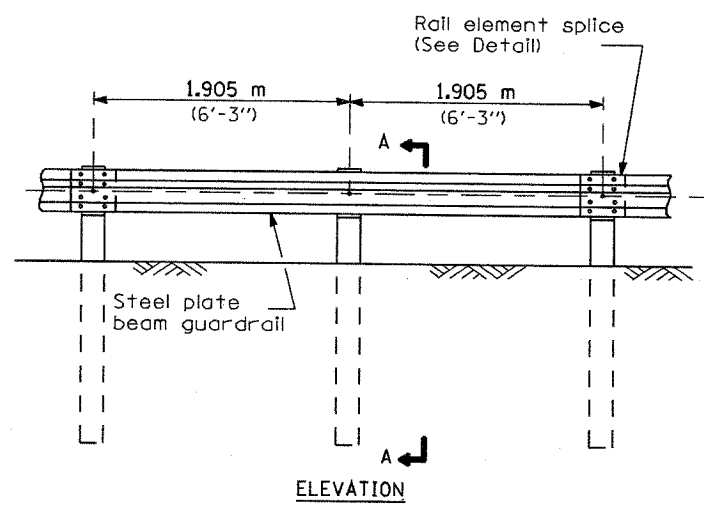
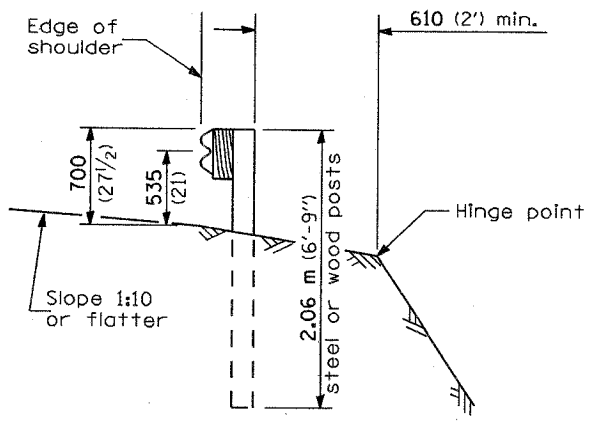


F.A. RTE.	SECTION	COUNTY	TOTAL SHEETS	SHEET NO.
VAR 2005-027008	VAR	VAR	19	19A
FED. ROAD DIST. NO.	ILLINOIS FED. AID PROJECT			

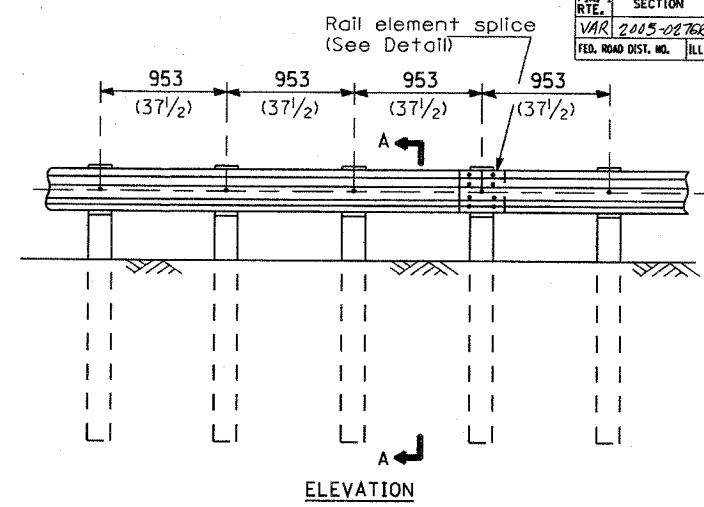


TYPE A

1.905 m (6'-3") Typical post spacing

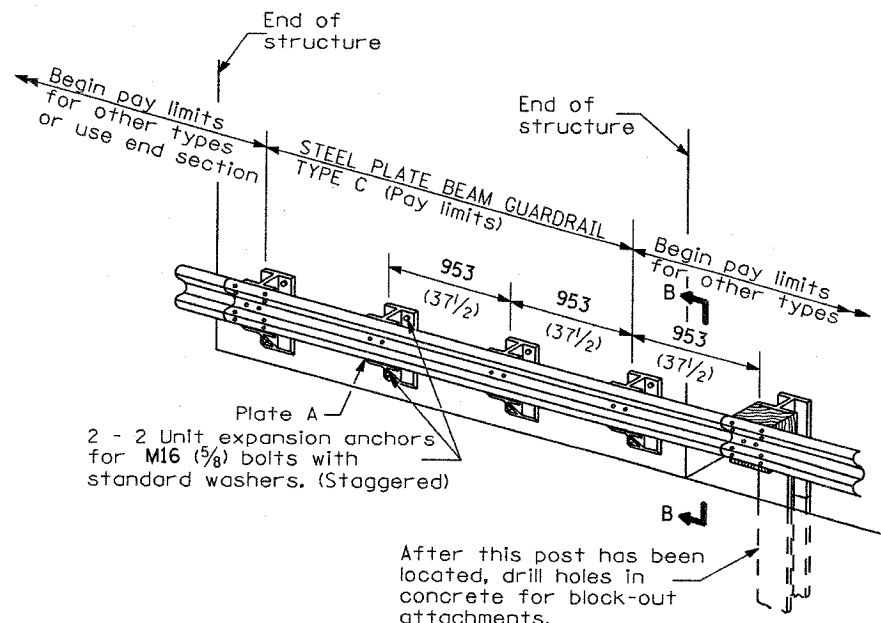


SECTION A-A



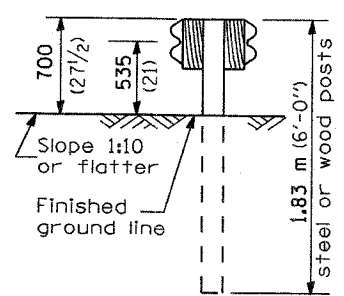
TYPE B

953 (37 1/2) Closed post spacing

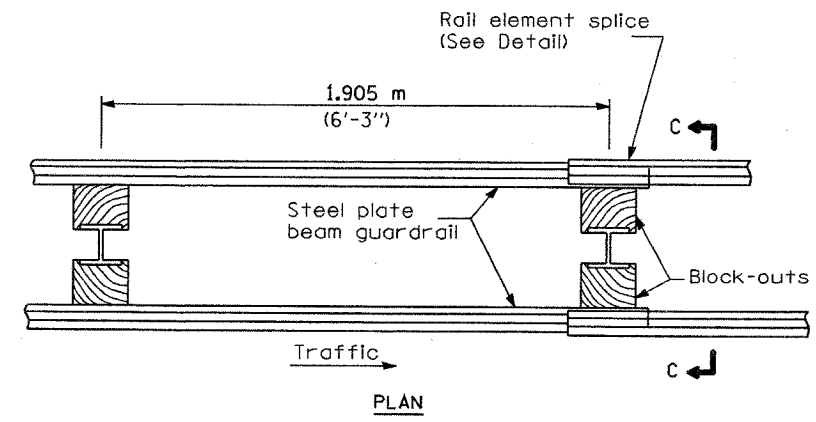


TYPE C

953 (37 1/2) Block-out spacing



SECTION C-C



TYPE D

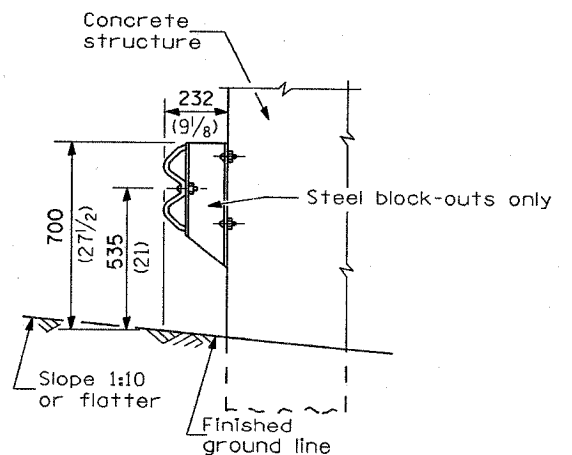
Double steel plate beam guardrail
1.905 m (6'-3") typical post spacing

GENERAL NOTES

All slope ratios are expressed as units of vertical displacement to units of horizontal displacement (V:H).

All dimensions are in millimeters (inches) unless otherwise shown.

The existing steel posts may be drilled to match the bolt pattern shown herein for the wood block-out, or a new steel post shall be provided.



SECTION B-B

**REMOVE AND REERECT
STEEL PLATE BEAM GUARDRAIL**
(Sheet 1 of 4)

DETAIL

Added Sheet 1-9-07