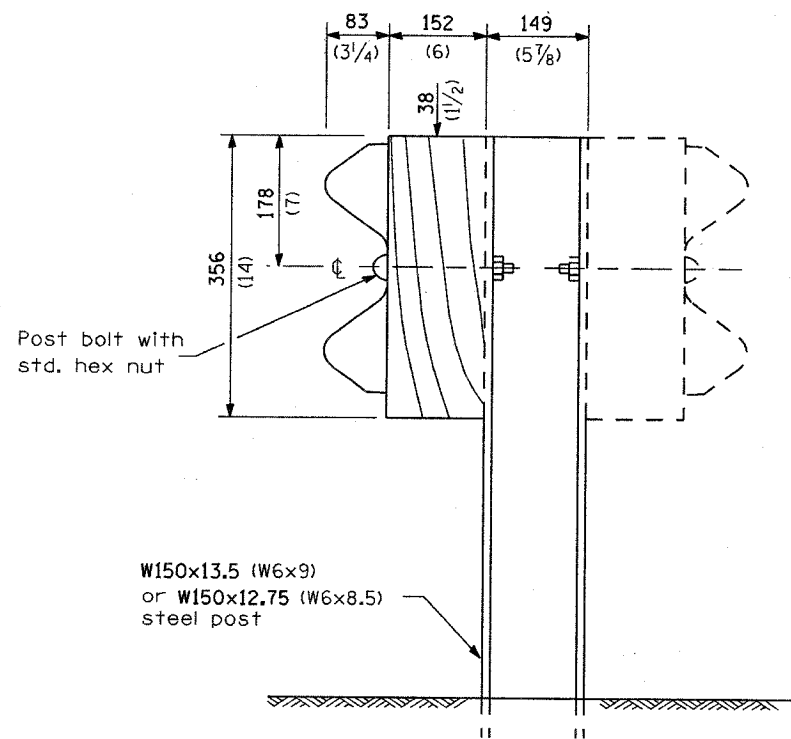
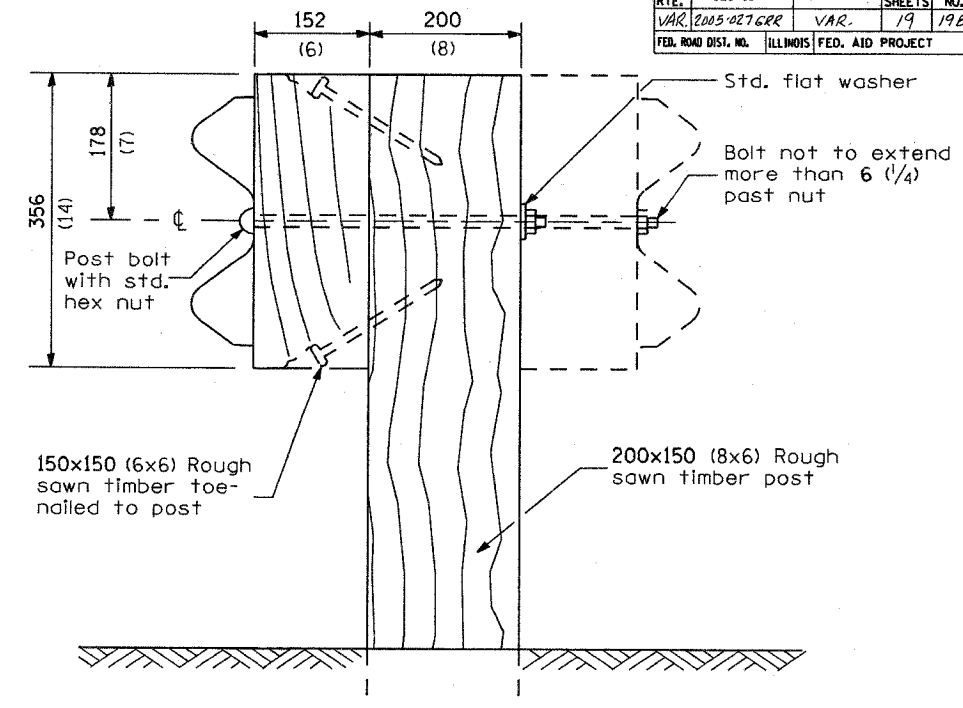


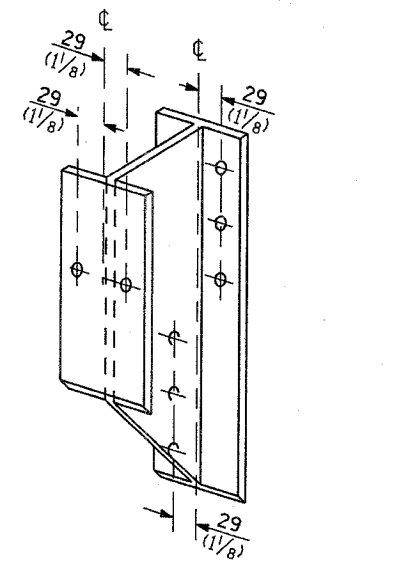
F.A. RTE.	SECTION	COUNTY	TOTAL SHEETS	SHEET NO.
VAR.	2005-027 GRR	VAR.	19	19B.
FED. ROAD DIST. NO.		ILLINOIS FED. AID PROJECT		



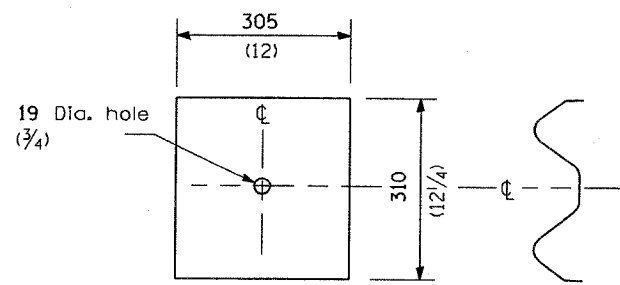
STEEL POST CONSTRUCTION



WOOD POST CONSTRUCTION



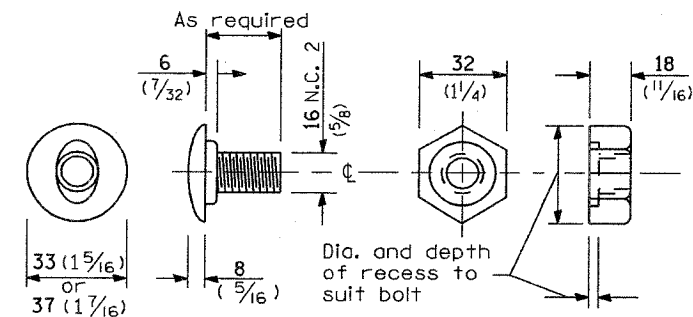
STEEL BLOCK-OUT DETAIL



NOTE

Plate A shall be placed between rail element and block-out at non-splice mounting points only when steel block-outs are used.

PLATE A



POST OR SPLICE BOLT & NUT

**REMOVE AND REERECT
STEEL PLATE BEAM GUARDRAIL**

(Sheet 2 of 4)

DETAIL

Added Sheet 1-9-07