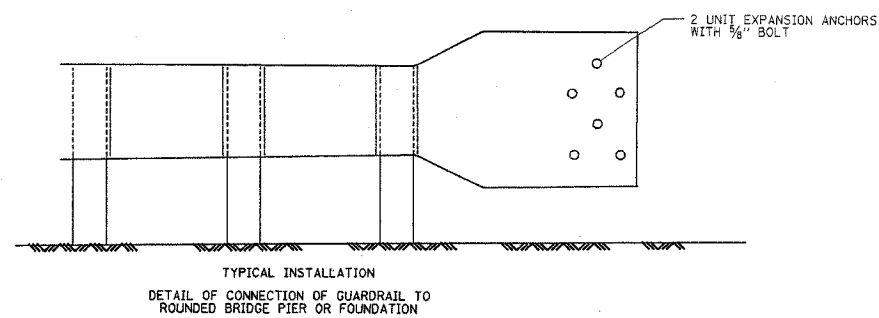
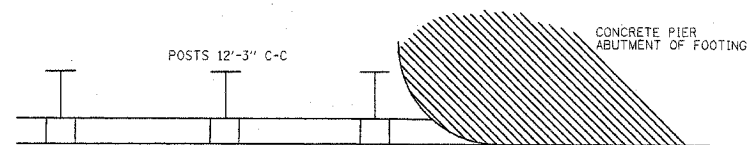
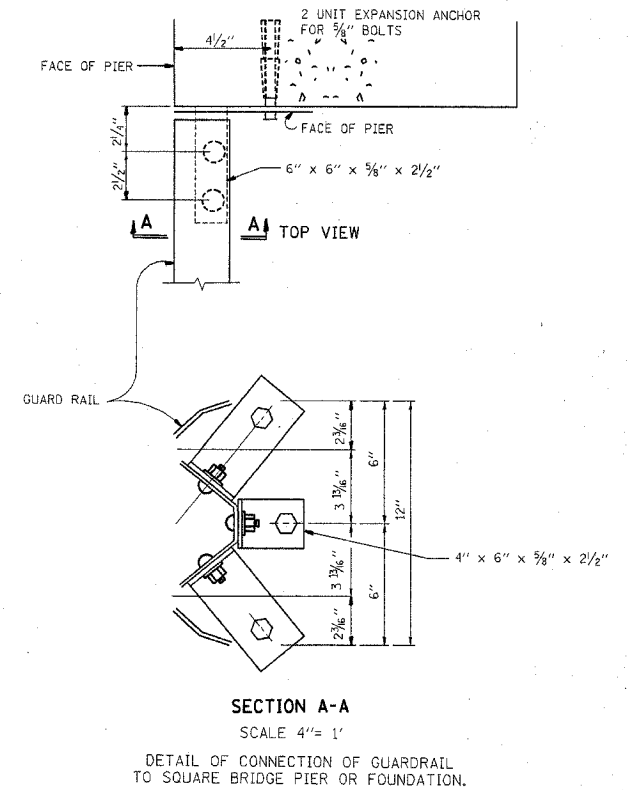
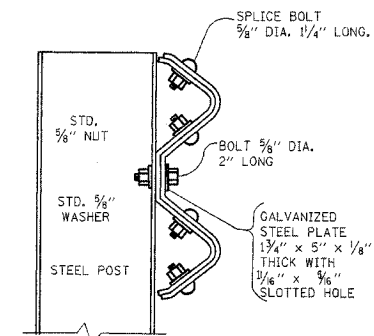
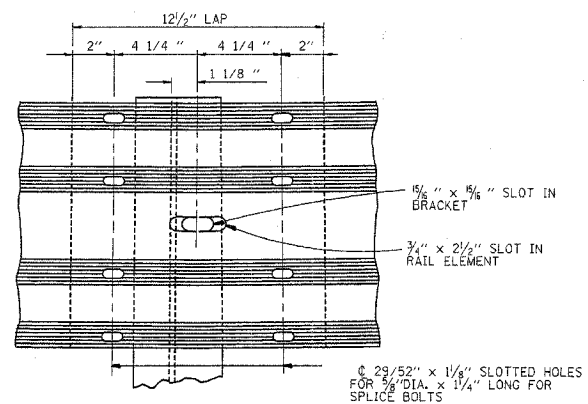
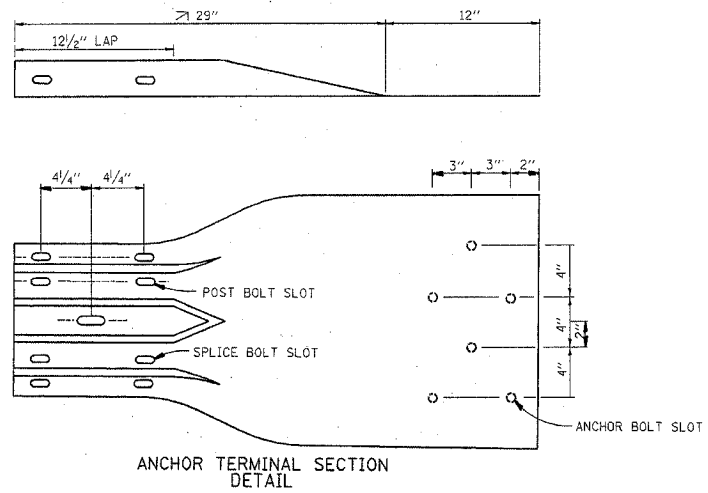


F. L. REC.	SECTION	COUNTY	TOTAL SHEETS	SHEET NO.
VAR.	2005-027 GRR	*	19	14
STA.	TO STA.			
FED. ROAD DIST. NO.	ILLINOIS	FED. AID PROJECT		

\* MCHENRY, LAKE, KANE, COOK AND DUPAGE  
CONTRACT 62961



THIS SHEET IS FOR INFORMATION ONLY

REVISIONS	
NAME	DATE
CREATED	10-31-88

ILLINOIS DEPARTMENT OF TRANSPORTATION

DETAIL OF  
GUARDRAIL SUPPORT  
AND END ANCHORAGE

SCALE: NONE  
DATE: 10/2/2006

DRAWN BY R.F.L.  
CHECKED BY