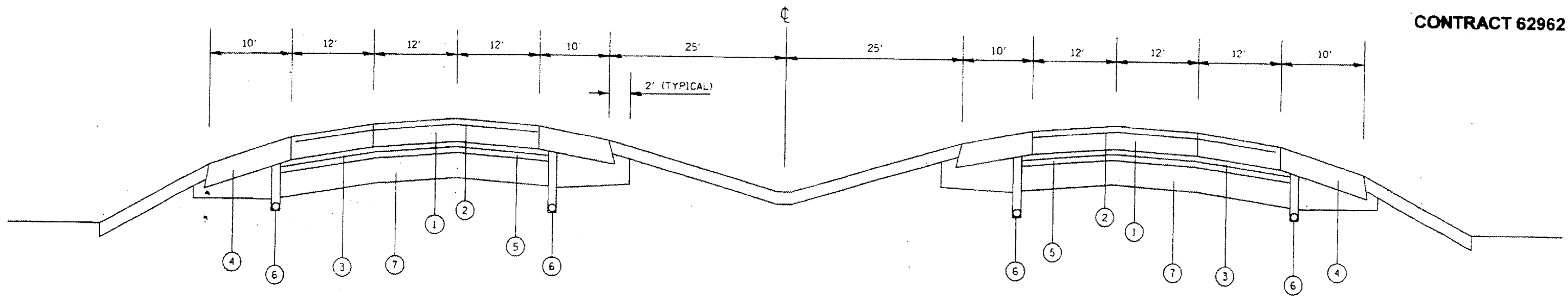
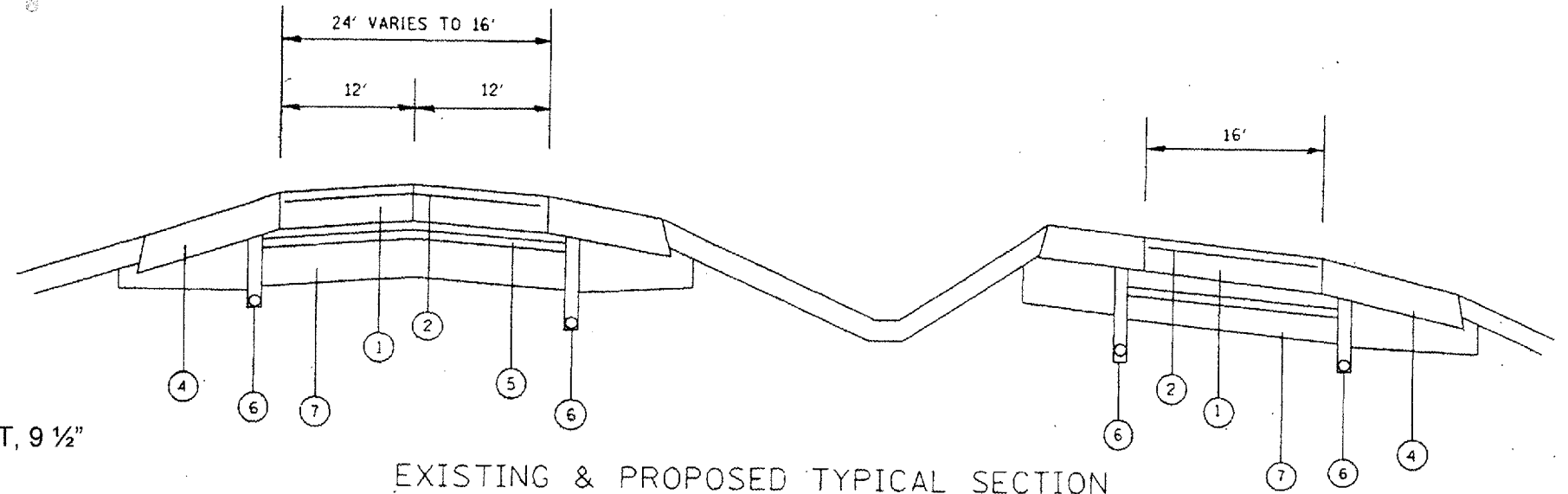


|                  |                      |                |                    |                   |
|------------------|----------------------|----------------|--------------------|-------------------|
| ROUTE<br>FAP 342 | SECTION<br>530CRC-PP | COUNTY<br>COOK | TOTAL SHEETS<br>15 | SHEET NUMBER<br>5 |
|------------------|----------------------|----------------|--------------------|-------------------|

CONTRACT 62962



EXISTING & PROPOSED TYPICAL SECTION  
IL RTE 53 EXTENSION



EXISTING & PROPOSED TYPICAL SECTION  
IL RTE 53 EXTENSION  
@ LAKE-COOK ROAD EXIT

**LEGEND**

1. CONTINUOUSLY REINFORCED P.C. CONCRETE PAVEMENT, 9 1/2" ON GEOTECHNICAL FABRIC
2. PAVEMENT REINFORCEMENT (EXIST.)
3. OPEN GRADED BITUMINOUS AGGREGATE MIXTURE
4. HMA SHOULDER
5. SUB-BASE GRANULAR MATERIAL
6. PIPE UNDERDRAIN
7. POROUS GRANULAR EMBANKMENT

ILLINOIS DEPARTMENT OF  
TRANSPORTATION  
  
IL RTE 53 EXTENSION  
TYPICAL SECTION

Rev.