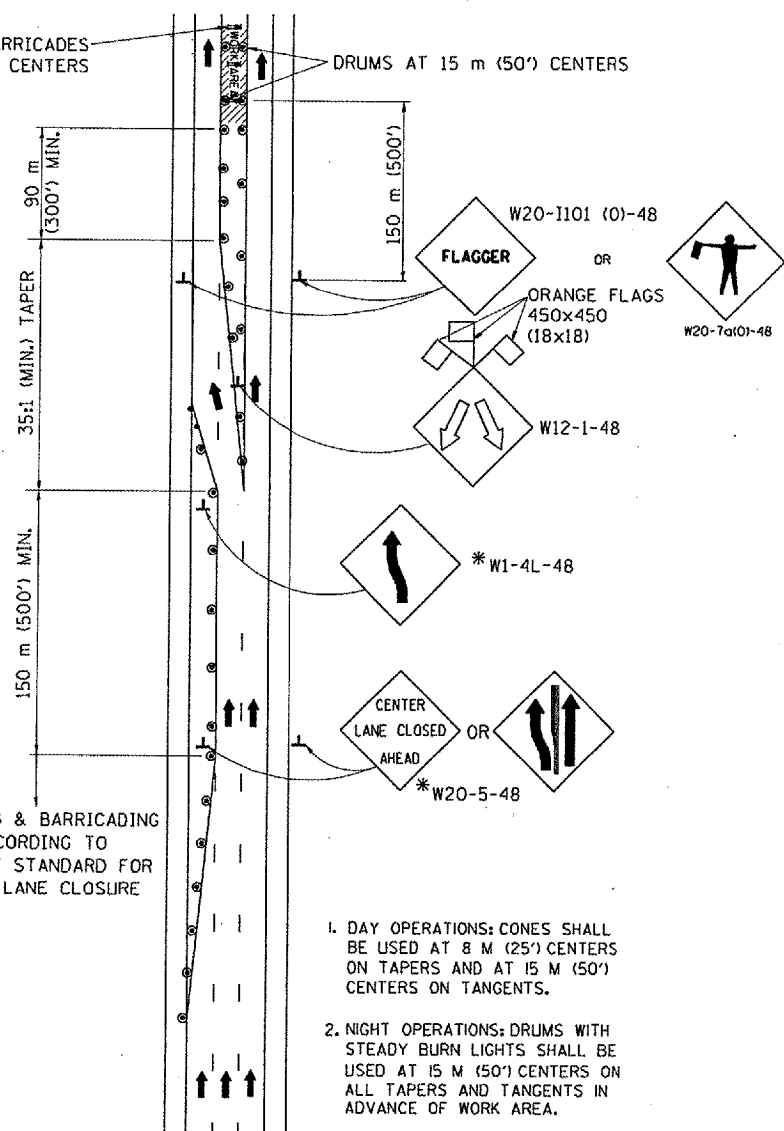


CENTER LANE CLOSURE

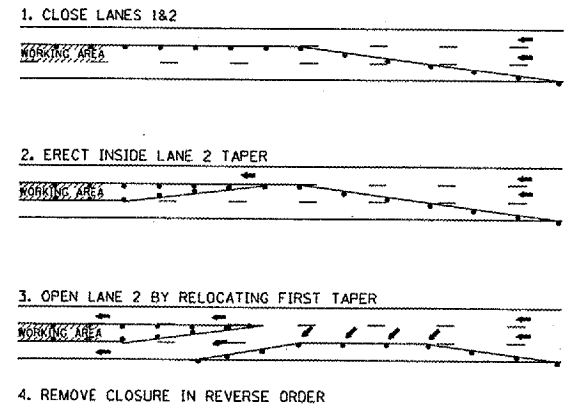
TYPE I CHECK BARRICADES AT 30 m (100') CENTERS



SIGNING & BARRICADING ACCORDING TO FREEWAY STANDARD FOR A ONE LANE CLOSURE

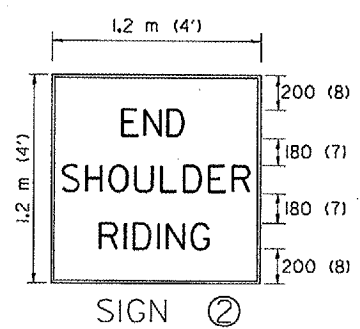
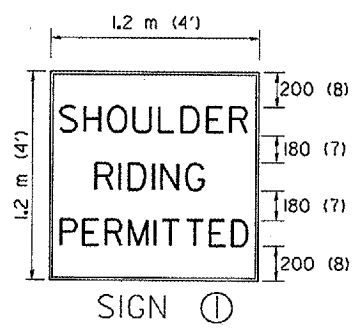
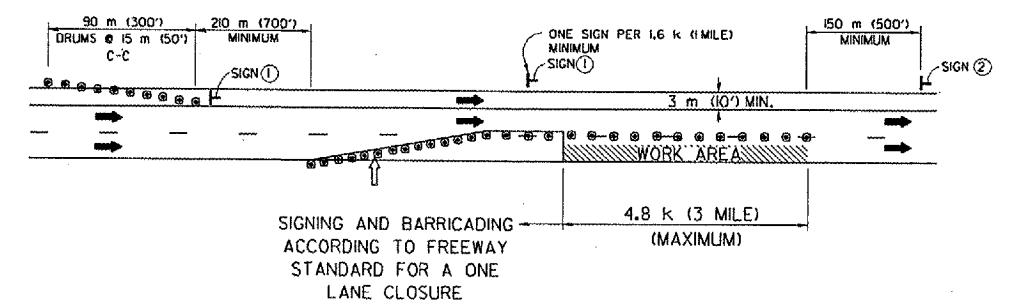
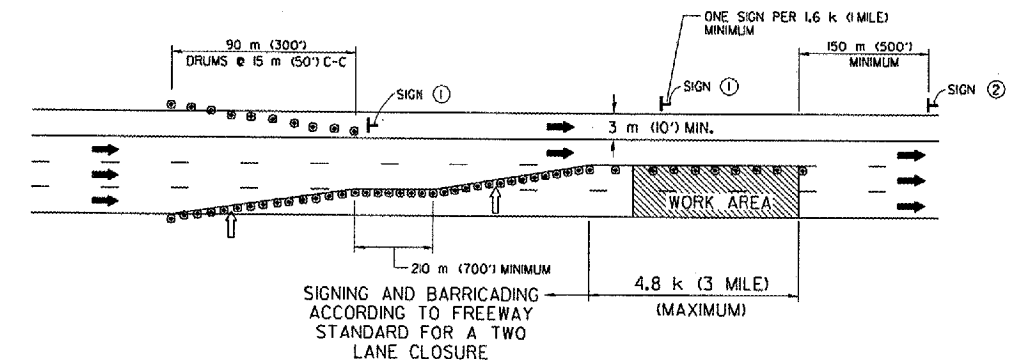
1. DAY OPERATIONS: CONES SHALL BE USED AT 8 M (25') CENTERS ON TAPERS AND AT 15 M (50') CENTERS ON TANGENTS.
2. NIGHT OPERATIONS: DRUMS WITH STEADY BURN LIGHTS SHALL BE USED AT 15 M (50') CENTERS ON ALL TAPERS AND TANGENTS IN ADVANCE OF WORK AREA.
3. CLOSURE SHALL BE USED ONLY FOR OPERATIONS LASTING 72 HOURS OR LESS.

INSTALLATION SEQUENCE



SHOULDER LANE

NOTE: CLOSURE SHALL BE USED ONLY FOR OPERATIONS LASTING 72 HOURS OR LESS.



150 (6) SERIES "C" LEGEND
BLACK LEGEND
WHITE REFLECT. BACKGROUND
25 (1) BORDER

- SYMBOLS**
- ↑ ARROWBOARD
 - ▨ WORK AREA
 - ◇ SIGN WITH 450x450 (18x18) ORANGE FLAGS ATTACHED *
 - ┆ SIGN ON PORTABLE OR PERMANENT SUPPORT *
 - CONES
 - DRUM WITH MONO-DIRECTIONAL STEADY BURNING LIGHT
- * ALL SIGNS SHALL BE MOUNTED AT A MINIMUM HEIGHT OF 1.5 m (5').

REVISIONS	
NAME	DATE
PRIOR DETAILS ON TC-9 - JAF	4/03

ILLINOIS DEPARTMENT OF TRANSPORTATION
TRAFFIC CONTROL DETAILS
FOR FREEWAY
CENTER LANE CLOSURE
SHOULDER LANE

SCALE: NONE
DATE: 05/06/2003
DRAWN BY: R.H.
CHECKED BY:
TC-25
REVISION DATE: N/A