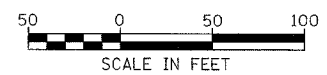
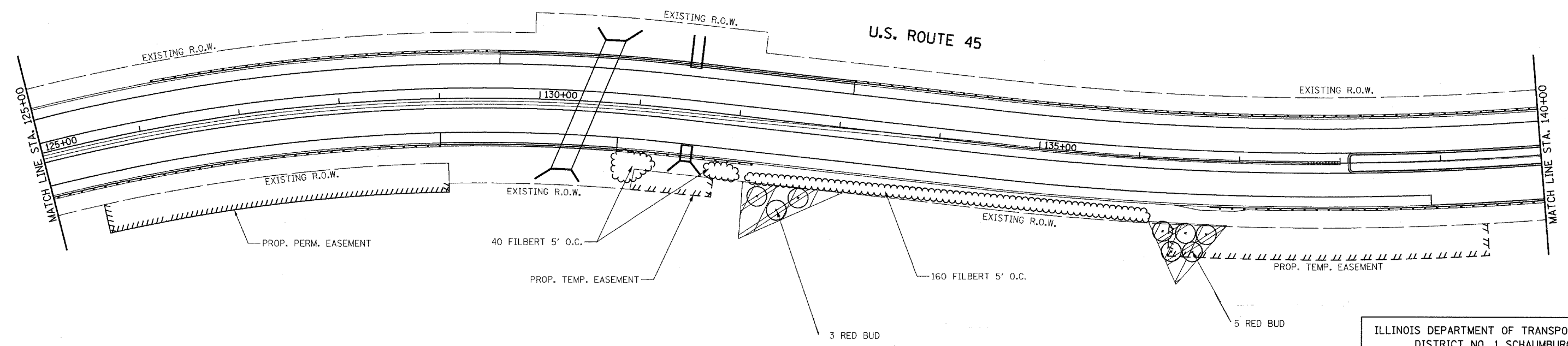
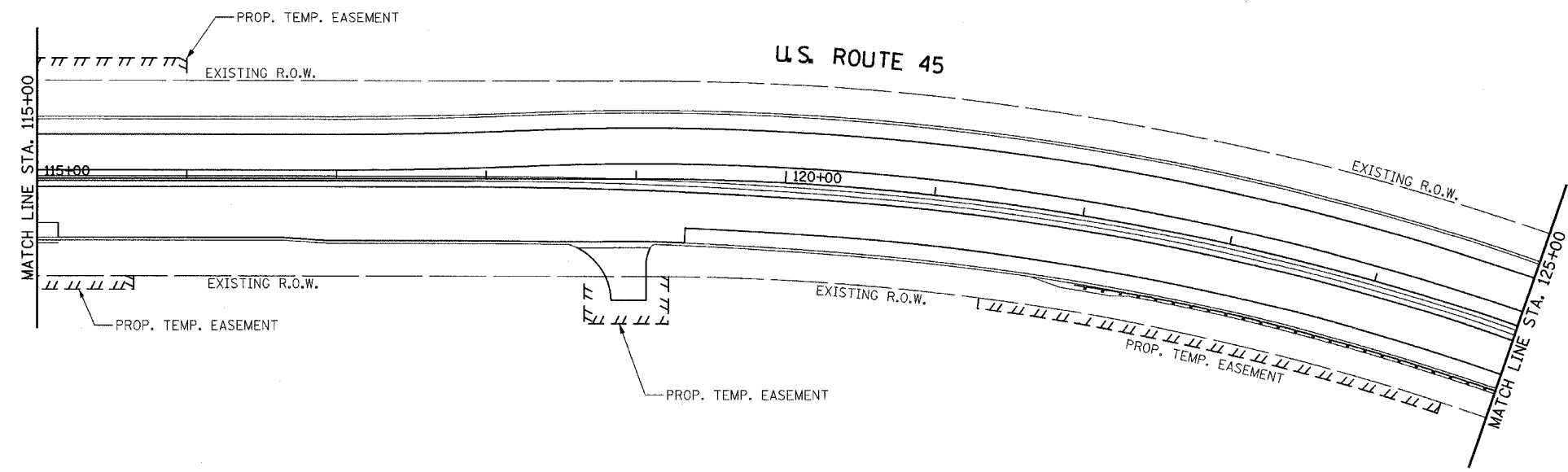
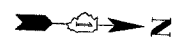


POP. RITE.	SECTION	COUNTY	TOTAL SHEETS	SHEET NO.
	330 (102 & 102X) LS	COOK	14	5
STA.	115+00	TO STA.	140+00	
FED. ROAD DIST. NO.	1	BLINDS	FED. AID PROJECT	

D-91-227-05



ILLINOIS DEPARTMENT OF TRANSPORTATION
DISTRICT NO. 1 SCHAUMBURG

LANDSCAPING PLAN
U.S. ROUTE 45

SCALE AS SHOWN
DATE OCT 25, 2005

DRAWN BY BSB
CHECKED BY CES