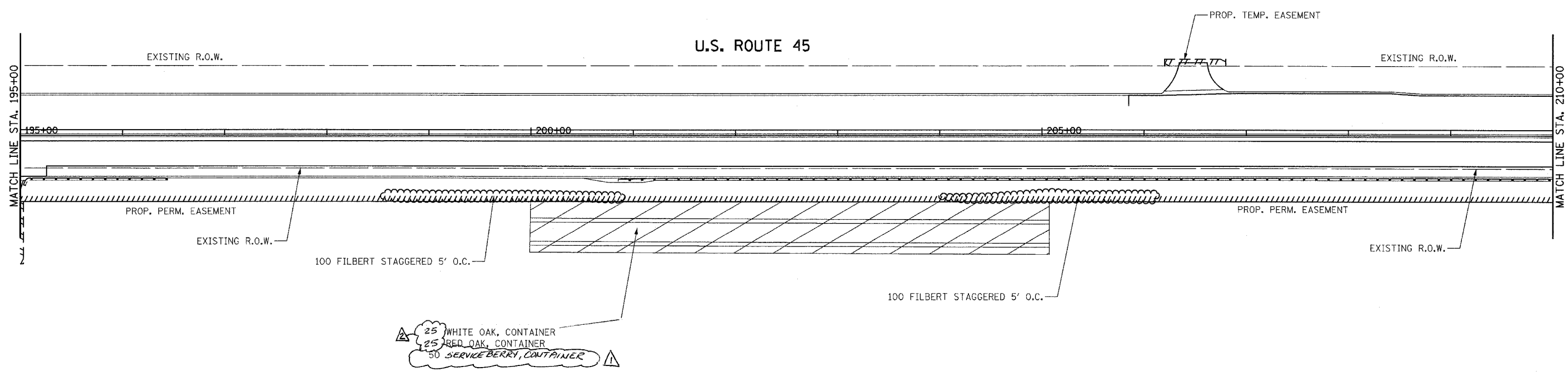
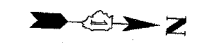


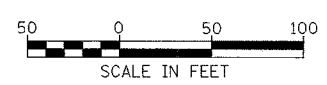
F&P NO.	SECTION	COUNTY	TOTAL SHEETS	SHEET NO.
330	102 & 102X1 LS	COOK	14	8
STA. 195+00		TO STA. 210+00		
FED. ROAD DIST. NO. 1		ILLINOIS		FED. AID PROJECT

D-91-227-05



▲ 25 WHITE OAK, CONTAINER
 ▲ 25 RED OAK, CONTAINER
 ▲ 50 SERVICE BERRY, CONTAINER

▲ Rev. 4-11-06
 ▲ Rev. 2-24-06



ILLINOIS DEPARTMENT OF TRANSPORTATION
 DISTRICT NO. 1 SCHAUMBURG
 LANDSCAPING PLAN
 U.S. ROUTE 45
 SCALE AS SHOWN
 DATE OCT 25, 2005
 DRAWN BY BSB
 CHECKED BY CES