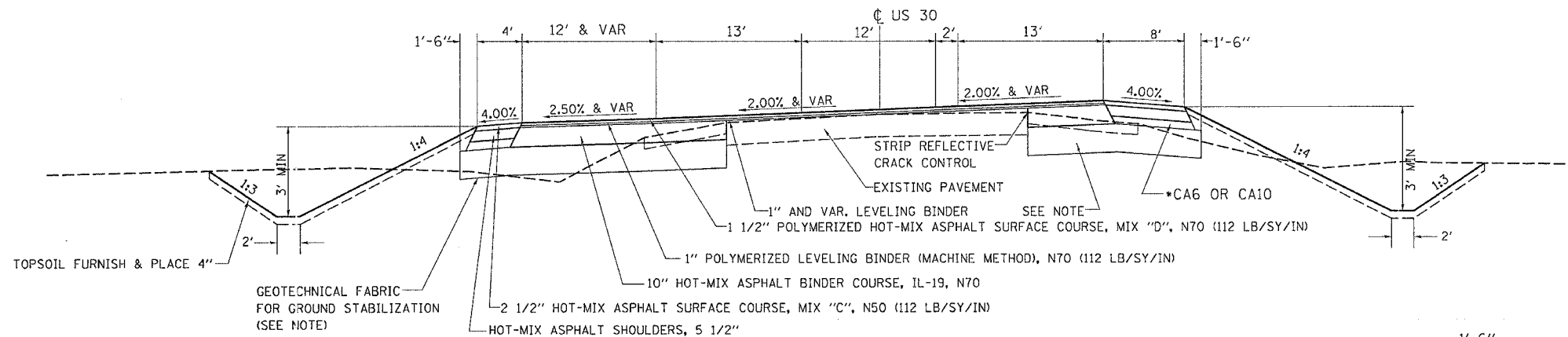


F.A.L. RTE.	SECTION	COUNTY	TOTAL SHEETS	SHEET NO.
5564	111-M-1	WHITESIDE	78	10
STA.		TO STA.		
FED. ROAD DIST. NO.	ILLINOIS	FED. AID PROJECT		

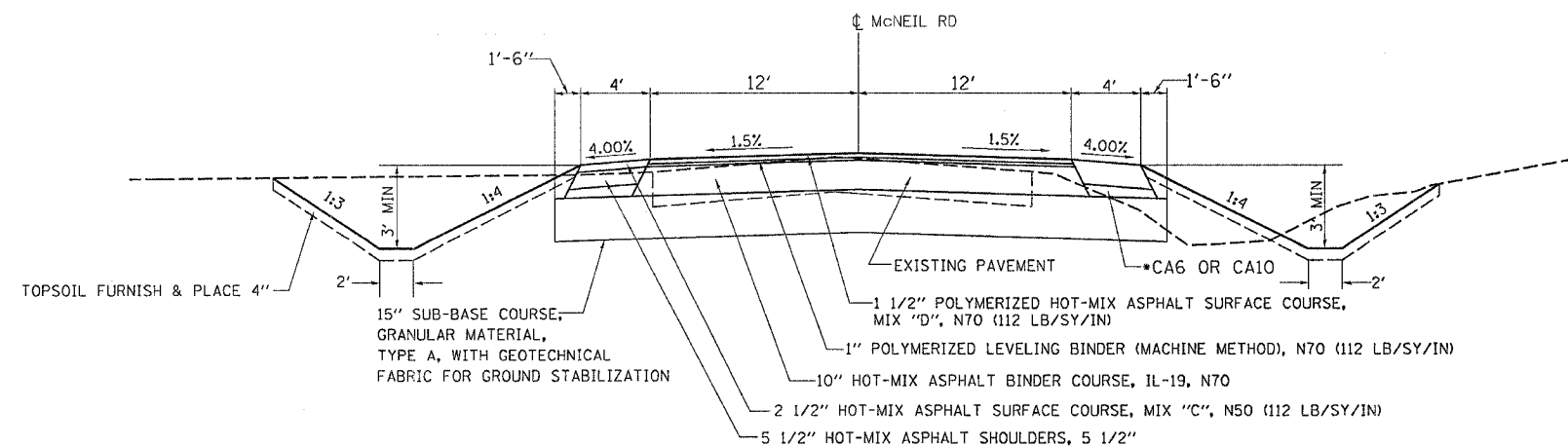
TYPICAL SECTIONS

US 30
STA 1540+50.00 - STA 1547+55.00

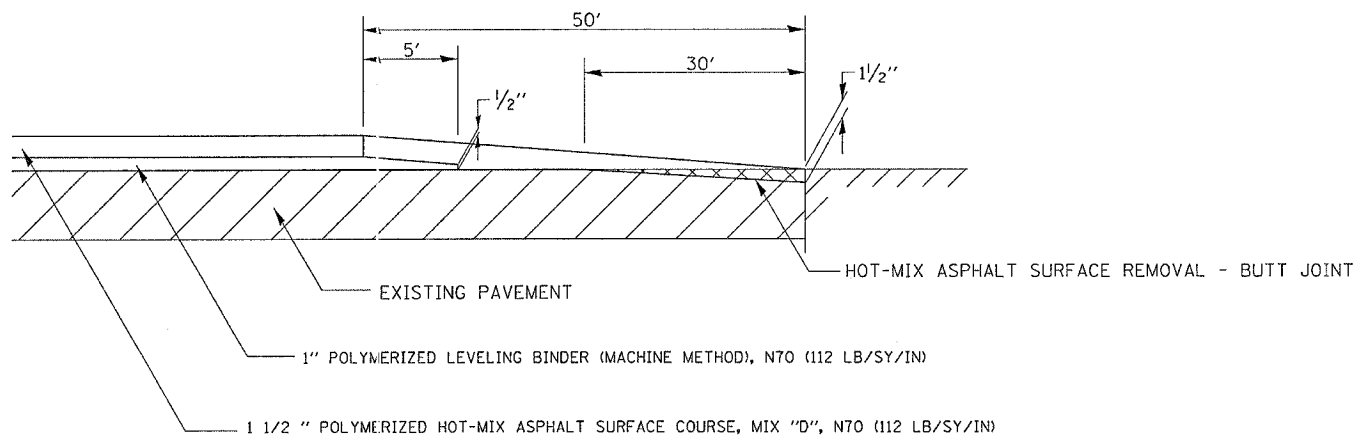


NOTE:
 STA 1540+50 - STA 1545+50 15" SUB-BASE COURSE, GRANULAR MATERIAL, TYPE A, WITH GEOTECHNICAL FABRIC FOR GROUND STABILIZATION
 STA 1545+50 - STA 1547+55 18" SUB-BASE COURSE, GRANULAR MATERIAL, TYPE A, WITH GEOTECHNICAL FABRIC FOR GROUND STABILIZATION

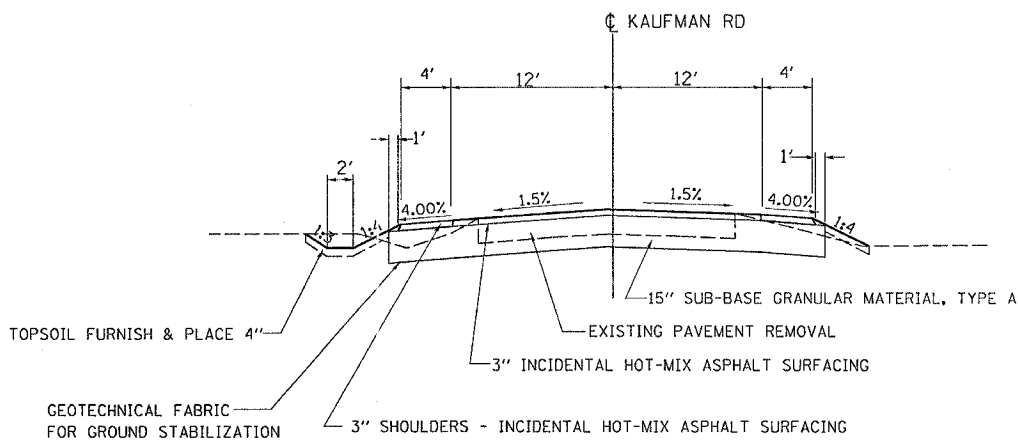
SOUTH McNEIL RD
 STA 18+98.95 - STA 19+67.52
 NORTH McNEIL RD
 STA 20+33.01 - STA 21+83.95



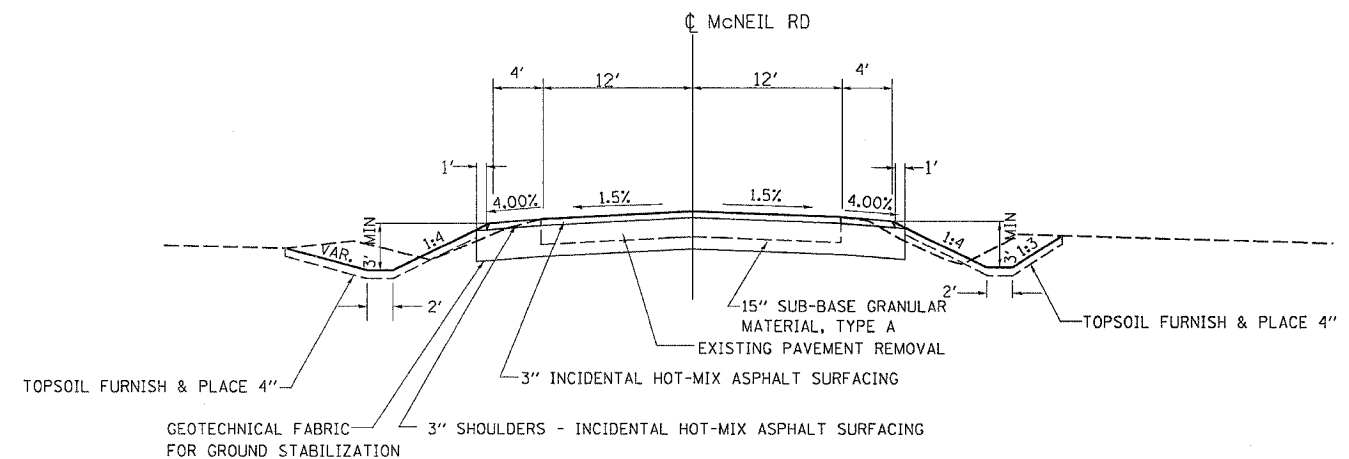
US 30
 STA 1531+73.50 TO STA 1532+23.50
 STA 1550+80.56 TO STA 1551+30.56



KAUFMAN RD
 STA. 8+77.50 - STA 9+83.82



McNEIL RD
 STA 17+97.48 - STA 18+98.95



NOTE:
 SOUTH McNEIL ROAD USE DISTRICT STANDARD 43.2 OPTION C FOR CONSTRUCTION.

* INCLUDED IN THE COST OF HOT-MIX ASPHALT SHOULDERS, 5 1/2"

PLOT DATE * Wed Oct 18 11:05:49 2006
 FILE NAME * C:\pwork\111-m-1\111-m-1.dgn
 USER NAME * jgordon