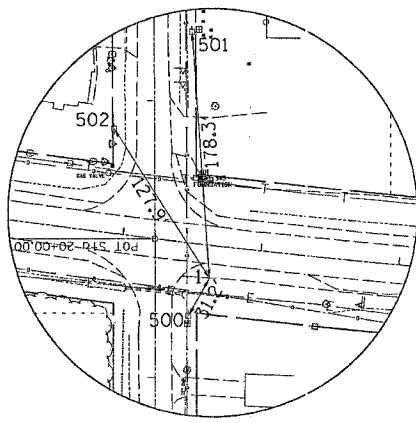
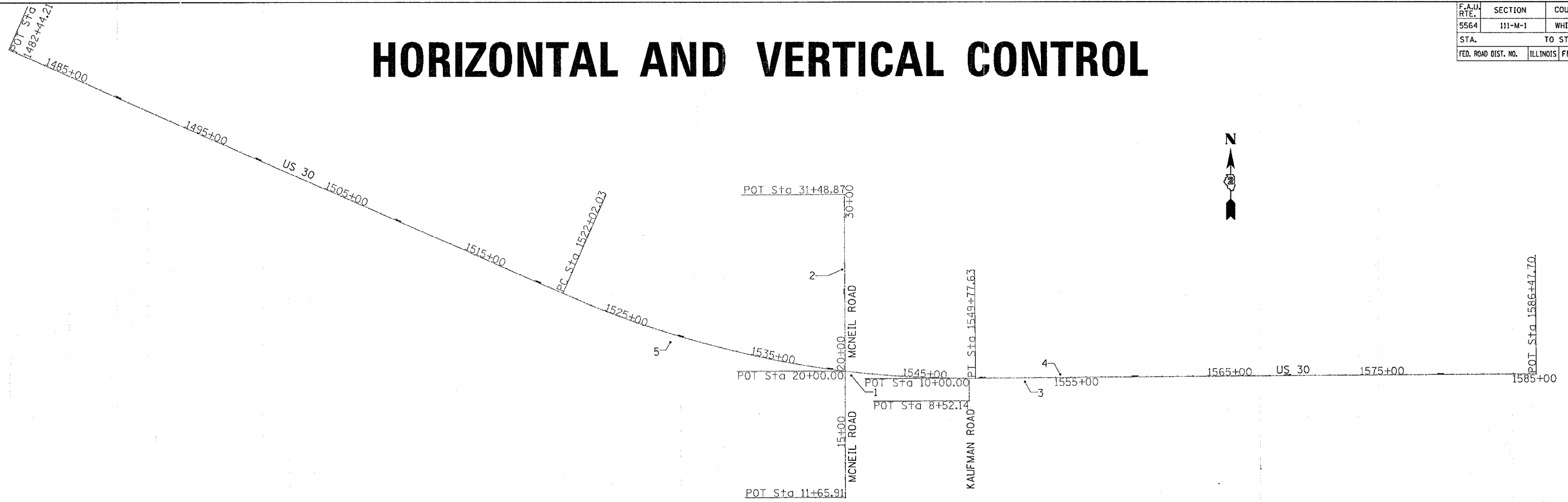
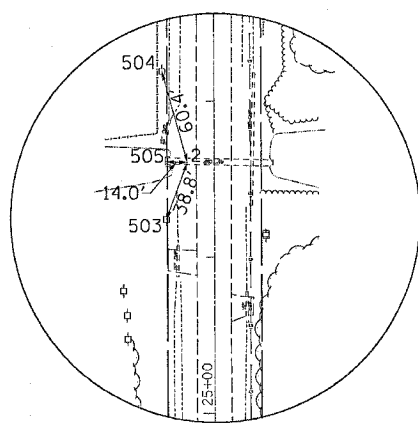


F.A.U. RTE.	SECTION	COUNTY	TOTAL SHEETS	SHEET NO.
5564	111-M-1	WHITESIDE	78	18
STA.		TO STA.		
FED. ROAD DIST. NO.		ILLINOIS	FED. AID PROJECT	

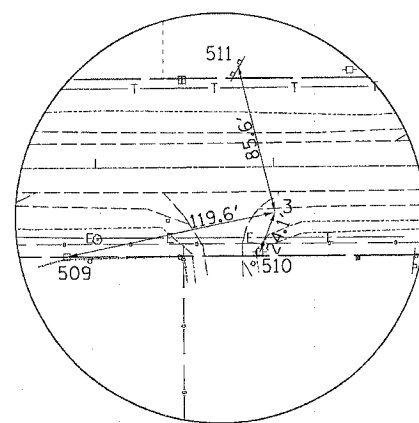
HORIZONTAL AND VERTICAL CONTROL



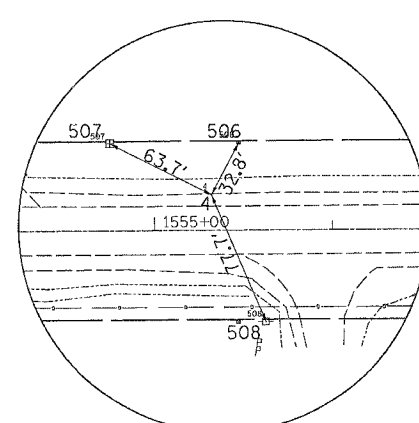
HORIZONTAL CONTROL POINT NO. 1



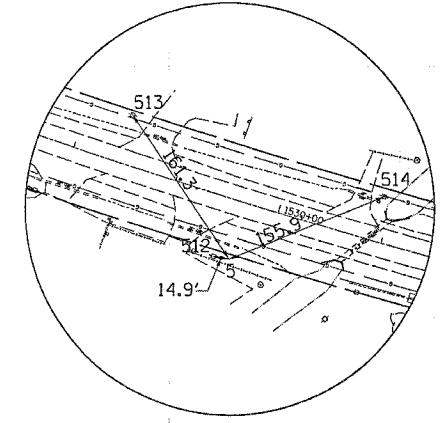
HORIZONTAL CONTROL POINT NO. 2



HORIZONTAL CONTROL POINT NO. 3



HORIZONTAL CONTROL POINT NO. 4



HORIZONTAL CONTROL POINT NO. 5

PLOT DATE = Tue Aug 88 11:24:05 2005
 PLOT SCALE = 50.00000 1/16" = 1' IN.
 USER NAME = duncant6