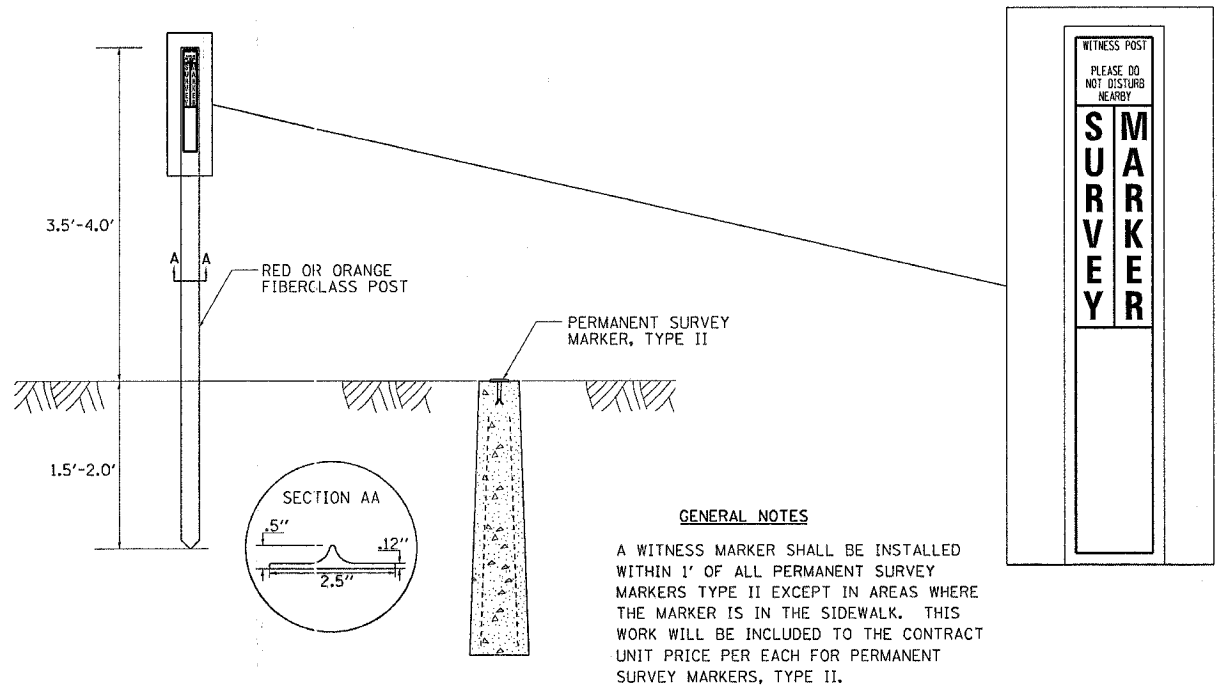
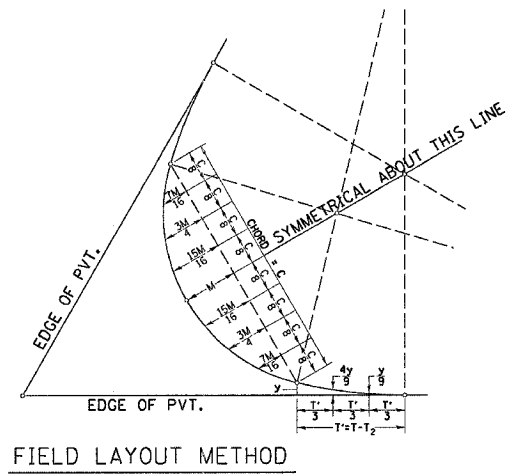


F.A.U. RTE.	SECTION	COUNTY	TOTAL SHEETS	SHEET NO.
5564	111-M-1	WHITESIDE	78	41
STA.		TO STA.		
FED. ROAD DIST. NO.		ILLINOIS FED. AID PROJECT		

# WITNESS MARKER FOR PERMANENT SURVEY MARKERS, TYPE II

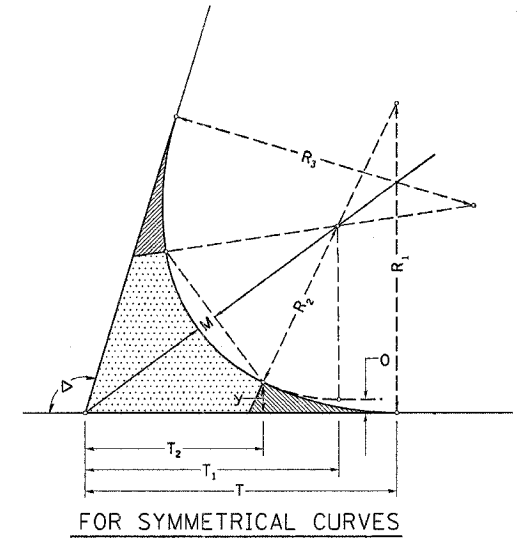


# THREE CENTER CURVE DATA



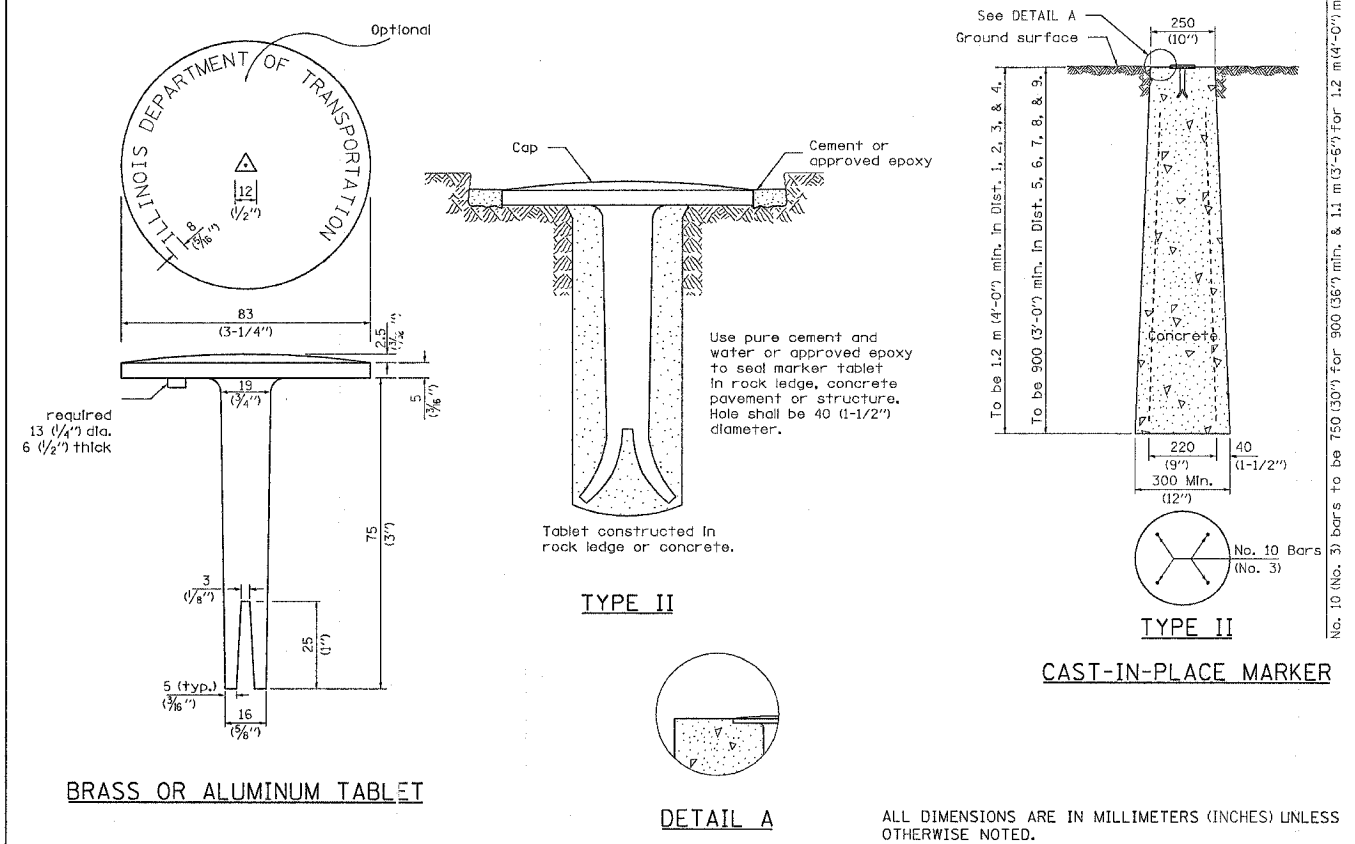
SYMMETRICAL CURVES

CURVE #							
R <sub>1</sub>							
R <sub>2</sub>							
R <sub>3</sub>							
O							
Δ							
T							
T <sub>1</sub>							
T <sub>2</sub>							
T'							
y							
4y/9							
y/9							
M							
15M/16							
3M/4							
7M/16							
C							

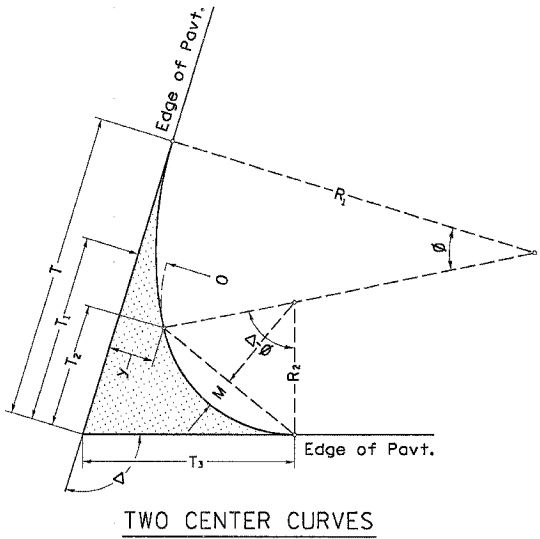


ALL DIMENSIONS ARE IN MILLIMETERS (INCHES) UNLESS OTHERWISE NOTED.

# PERMANENT SURVEY MARKERS, TYPE II



# TWO CENTER CURVE DATA



CURVE #	NW	NE	SW	SE			
R <sub>1</sub>	200	350	200	400			
R <sub>2</sub>	40	50	40	60			
O	4	11	4	10			
Δ	97.98	83.11	81.96	96.67			
T	82.12	123.48	69.73	150.45			
T <sub>1</sub>	46.56	42.99	34.18	68.59			
T <sub>2</sub>	37.67	29.57	25.29	54.15			
T <sub>3</sub>	50.04	55.40	38.79	77.49			
y	5.00	12.83	5.00	11.76			
4y/9	2.22	5.70	2.22	5.23			
y/9	0.56	1.43	0.56	1.31			
M	10.54	8.44	7.06	14.97			
15M/16	9.88	7.91	6.62	14.04			
3M/4	7.91	6.33	5.29	11.23			
7M/16	4.61	3.69	3.09	6.55			
C	54.12	55.59	45.38	79.31			

PLOT DATE: Tue Aug 08 11:55:45 2006  
 FILE NAME: c:\p03\1103\110306\110306.dgn  
 PLOT SCALE: 50.000000 X IN.  
 REFERENCE: #REF#